

# POOL SURROUND EQUIPMENT



<b>44</b>	<b>POOL ACCESS</b>	<b>58</b>	<b>SHOWERS</b>
44	Elegance ladders	58	Chrome showers
44	Komfi ladders	61	Pluvium showers
45	Wall model ladders	62	Iguazu showers
46	Standard model ladders	63	Solar showers
47	Mixed model ladders	64	Knob valves
48	Asymmetrical and easy access ladders	66	Showers with timers
50	Exit grab rails and lower end	67	Accessories
52	Accessories, anchoring fixtures and grips	68	Shower trays
<b>54</b>	<b>DIVING BOARDS AND TRAMPOLINES</b>	<b>69</b>	<b>ASTRALPOOL BIKE</b>
<b>55</b>	<b>PLATFORMS</b>	<b>70</b>	<b>ORNAMENTAL WATER FEATURES - CANNONS AND WATERFALLS</b>
<b>56</b>	<b>SLIDES</b>	<b>75</b>	<b>GRILLES FOR OVERFLOW</b>
		<b>80</b>	<b>Zodiac PowerFall</b>

POOL ACCESS

# Elegance ladders



Complies with Standard EN 16582-1:2015

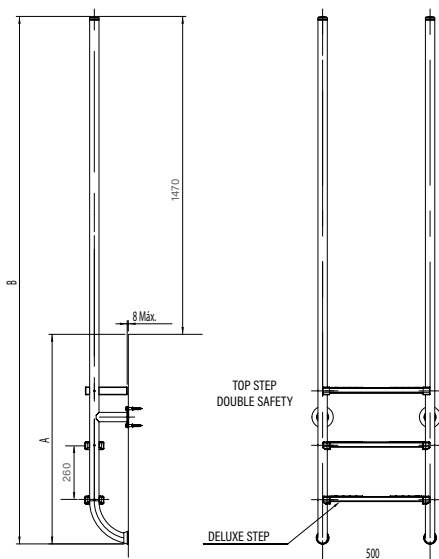
## DESCRIPTION

These sleek, stylish ladders with handrails have been designed to make it easy to get into a pool. Made of AISI 316L stainless steel with two anchoring points, the first step is double the standard size in a non-slip material for the greater safety and convenience of swimmers. Comes with 3 or 4 steps. To connect ground earth cable use Equipotential Anchor items 73318 or 73319.

	Code	Standard Pack	Standard weight in kg	Standard volume in m <sup>3</sup>
<b>Elegance ladders</b>				
2 steps + 1 safety step	45782	1	14	0.089
3 steps + 1 safety step	45783	1	15	0.089

## TECHNICAL FEATURES

Reference	Steps	A	B
45782	2 + 1 safety	960	2430
45783	3 + 1 safety	1220	2690



POOL ACCESS

# Komfi ladders



Complies with Standard EN 16582-1:2015



## DESCRIPTION

Standard Ladder grey step

Ladder with handrails manufactured in Ø43 and polished AISI-316L stainless steel tube.

Polypropylene steps. Its plastic steps ensure a comfortable tread when the user steps on. It also avoids the possibility of slipping.

Material: Stainless Steel AISI 316L polished handrail + polypropylene steps

Dimensions: based on Standard ladders for Residential use.

	Code	Standard Pack	Standard weight in kg	Standard volume in m <sup>3</sup>
2 steps	73147	1	9,8	0.066
3 steps	73148	1	13	0.076
4 steps	73149	1	14	0.086
5 steps	73150	1	15	0.097

**\* 1 additional year warranty. For more information see the warranty certificate in the manual.**

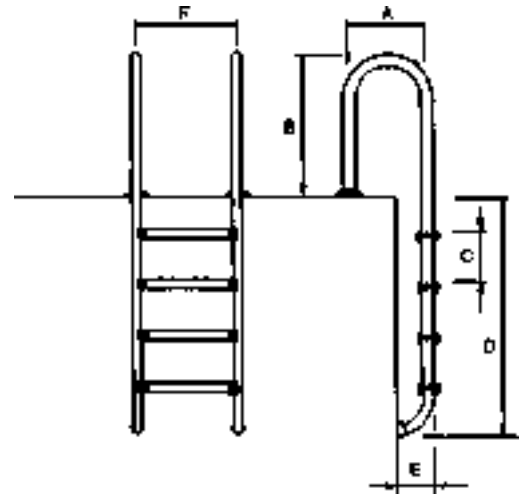
# Wall model ladders



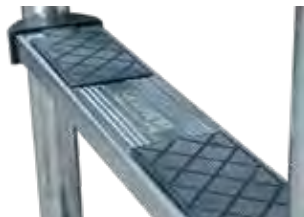
- In-ground pool ladder.
- Stainless steel Ø 43 mm pipe handrail.
- Stainless steel steps.
- Special non-slip design ensures safety.
- Supplied with anchoring fixtures for connection to an equipotential outlet.
- Trimmed faceplate.

## TECHNICAL FEATURES

Steps	A	B	C	D	E	F
2	318	620	260	700	148	500
3	318	620	260	960	148	500
4	318	620	260	1220	148	500
5	318	620	260	1480	148	500



Complies with Standard EN 16582-1:2015



## Wall model ladder with Luxe model steps



### DESCRIPTION

Rails & steps in AISI-316L.

	Code	Standard Pack	Standard weight in kg	Standard volume in m <sup>3</sup>
2 steps ladder	05480	1	9.0	0.05
3 steps ladder	05481	1	10.5	0.06
4 steps ladder	05482	1	12.4	0.06
5 steps ladder	05483	1	13.7	0.07



## Wall model ladder with Standard model steps



### DESCRIPTION

Rails & steps in AISI-304L.

	Code	Standard Pack	Standard weight in kg	Standard volume in m <sup>3</sup>
2 steps ladder	05492	1	9.0	0.05
3 steps ladder	05493	1	12.7	0.06
4 steps ladder	05494	1	14.8	0.06
5 steps ladder	05495	1	13.6	0.07

**\* 1 additional year warranty. For more information see the warranty certificate in the manual.**

# Standard model ladders



- In-ground pool ladder. Stainless steel Ø 43 mm pipe handrail.
- Stainless steel steps. Special non-slip design ensures safety.
- Supplied with anchoring fixtures for connection to an equipotential outlet.
- Trimmed faceplate.

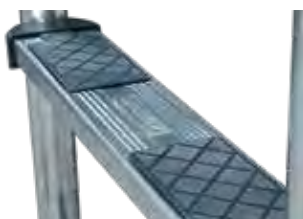
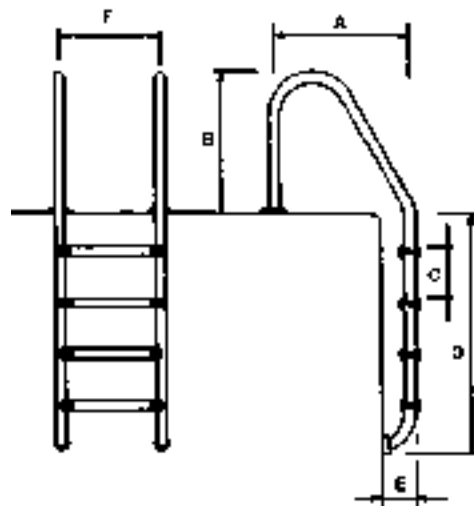


Complies with Standard  
EN 16582-1:2015

Optional: American  
measurements without  
anchor point and  
optional plastic step.

### TECHNICAL FEATURES

Steps	A	B	C	D	E	F
2	618	620	260	700	148	500
3	618	620	260	960	148	500
4	618	620	260	1220	148	500
5	618	620	260	1480	148	500



## Standard handrail ladder with Luxe model step



### DESCRIPTION

Rails & steps in AISI-316L.



	Code	Standard Pack	Standard weight in kg	Standard volume in m <sup>3</sup>
2 steps ladder	05476	1	9.8	0.07
3 steps ladder	05477	1	11.5	0.08
4 steps ladder	05478	1	14.0	0.08
5 steps ladder	05479	1	15.0	0.10



## Standard handrail ladder with Standard model step



### DESCRIPTION

Rails & steps in AISI-304L.

	Code	Standard Pack	Standard weight in kg	Standard volume in m <sup>3</sup>
2 steps ladder	05488	1	9.6	0.07
3 steps ladder	05489	1	12.0	0.08
4 steps ladder	05490	1	15.0	0.09
5 steps ladder	05491	1	15.0	0.09

\* 1 additional year  
warranty. For more  
information see the  
warranty certificate in  
the manual.

## Mixed model ladders



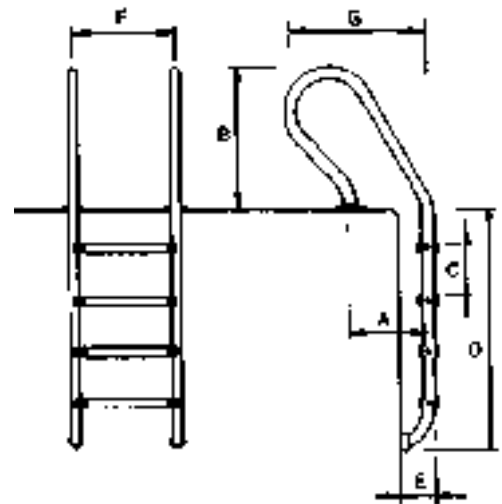
- In-ground pool ladder.
- Stainless steel Ø 43 mm pipe handrail.
- Stainless steel steps. Special non-slip design ensures safety.
- Supplied with anchoring fixtures for connection to an equipotential outlet.
- Trimmed faceplate.



Complies with Standard EN 16582-1:2015

### TECHNICAL FEATURES

Steps	A	B	C	D	E	F	G
2	318	620	260	700	148	500	491
3	318	620	260	960	148	500	491
4	318	620	260	1220	148	500	491
5	318	620	260	1480	148	500	491



## Mixed handrail ladder with Luxe model step



### DESCRIPTION

Rails & steps in AISI-316L.



	Code	Standard Pack	Standard weight in kg	Standard volume in m <sup>3</sup>
2 steps ladder	05484	1	9.7	0.07
3 steps ladder	05485	1	11.5	0.08
4 steps ladder	05486	1	12.6	0.09
5 steps ladder	05487	1	14.8	0.09



## Mixed handrail ladder with Standard model step



### DESCRIPTION

Rails & steps in AISI-304L.

	Code	Standard Pack	Standard weight in kg	Standard volume in m <sup>3</sup>
2 steps ladder	05496	1	9.7	0.07
3 steps ladder	05497	1	11.4	0.08
4 steps ladder	05498	1	15.3	0.09
5 steps ladder	05499	1	14.8	0.10

**\* 1 additional year warranty. For more information see the warranty certificate in the manual.**

POOL ACCESS

# Asymmetrical and easy access ladders

## Standard asymmetrical model



### DESCRIPTION

Standard model ladder for embedded pools. Handrails in polished Stainless Steel (Ø 43 mm) pipe. Stainless steel steps with non-slip surface. Its careful design helps to reduce the danger of slips or cuts. Complete with anchoring fixtures and earthing connection. Rails & steps in AISI-316L.

	Code	Standard Pack	Standard weight in kg	Standard volume in m <sup>3</sup>
1 "Luxe" step + 1 double safety step	19938	1	13.0	0.07
2 "Luxe" steps + 1 double safety step	19939	1	13.9	0.08
3 "Luxe" steps + 1 double safety step	19940	1	15.8	0.10
4 "Luxe" steps + 1 double safety step	19941	1	17.0	0.10

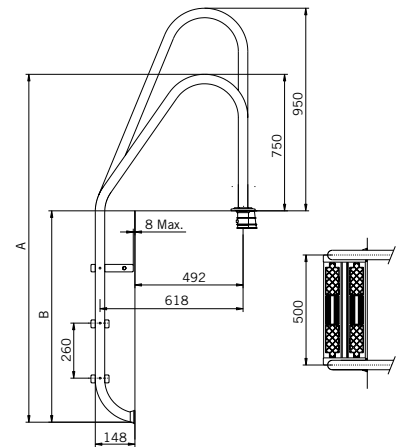


Complies with Standards  
EN 13451-1  
EN 13451-2



### TECHNICAL FEATURES

Code	Steps	A	B
19938	2	1450	700
19939	3	1710	960
19940	4	1970	1220
19941	5	2230	1480



## Mixed asymmetrical model



### DESCRIPTION

Stairs with Mixed model handrails, for embedded pools, made of polished Stainless Steel (Ø 43 mm) pipe. Its careful design helps to reduce the danger of slips or cuts. Complete with anchoring fixtures and earthing connection. LUXE handrails and steps in AISI-316L.

	Code	Standard Pack	Standard weight in kg	Standard volume in m <sup>3</sup>
2 "Luxe" steps + 1 double safety step	19943	1	14.0	0.08
3 "Luxe" steps + 1 double safety step	19944	1	15.6	0.09
4 "Luxe" steps + 1 double safety step	19945	1	17.5	0.10

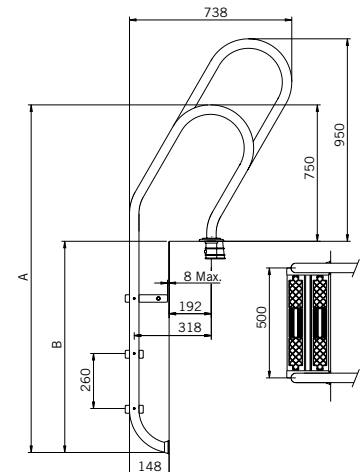


Complies with Standards  
EN 13451-1  
EN 13451-2



### TECHNICAL FEATURES

Code	Steps	A	B
19943	3	1710	960
19944	4	1970	1220
19945	5	2230	1480



# Asymmetrical and easy access ladders

## Easy access model



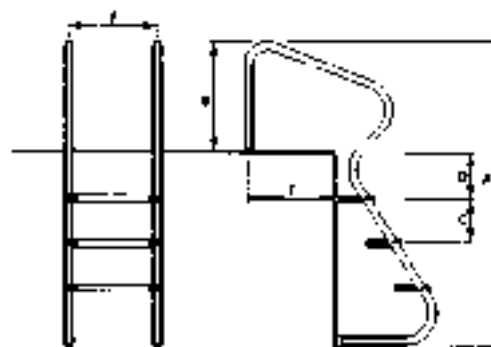
### DESCRIPTION

Ladder width of 500 mm. Handrails in polished stainless steel (Ø 43 mm) pipe. With anchoring fixtures and earthing connection. Polished finish. With anchoring fixtures for earth connection. Rails and non-slip steps in polished AISI-316L.

	Code	Standard Pack	Standard weight in kg	Standard volume in m <sup>3</sup>
3-step ladder	07782	1	21.6	0.145
4-step ladder	11979	1	25.9	0.202

### TECHNICAL FEATURES

Code	Steps	A	B	C	D	E	F
07782	3	1835	750	260	243	490	500
11979	4	2085	750	260	243	490	500



## Above-ground pool safety ladder with platform



### DESCRIPTION

Ladder manufactured in AISI-304L stainless steel Ø43 pipe with a bright satin finish and plastic treads.

White steps and plastic platform. Non-slip steps and platform. Safe pool access. Ladder maximum load: 150 kg.

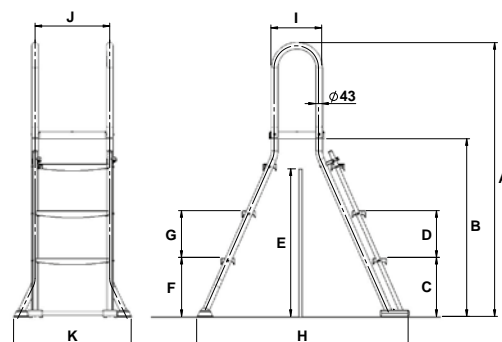
	Code	Standard Pack	Standard weight in kg	Standard volume in m <sup>3</sup>
<b>For above-ground pool height</b>				
1 m	67656	1	-	-
1.20 or 1.35 m	67657	1	-	-
1,50 m	67658	1	-	-



Complies with Standard EN 16582-1:2015

### TECHNICAL FEATURES

Code	Steps	A	B	C	D	E	F	G	H	I	J	K
67656	3	1856	1204	400	317	1000	400	317	1433	344	506	797
67657	4	2094	1442	350	285	1350	350	285	1644	344	506	808
67658	5	2378	1727	350	285	1500	350	285	1899	344	506	805



POOL ACCESS

Ladders and grab rails made to measure. Any types of ladders, grab rails and handrails can be made to order out of AISI-304L and AISI-316L stainless steel adapted to your needs.

# Exit grab rails and lower end



## 800 x 800 mm model



### DESCRIPTION

Set of 2 tubular handrails in polished S.S. AISI-316L Ø 43 mm pipe. Exit grab rails with fixing plates are supplied as a pair including fixing plates, gaskets, screws and wall plugs.

	Code	Standard Pack	Standard weight in kg	Standard volume in m <sup>3</sup>
Attachment by means of fixing plate	05541	1	9.27	0.10
Attachment for embedding	05540	1	8.40	0.10



## 470 x 800 mm model



### DESCRIPTION

Set of 2 tubular handrails in polished S.S. AISI-316L Ø 43 mm pipe. Exit grab rails with fixing plates are supplied as a pair including fixing plates, gaskets, screws and wall plugs.

	Code	Standard Pack	Standard weight in kg	Standard volume in m <sup>3</sup>
Attachment by means of fixing plate	05542	1	6.97	0.08



## 470 x 800 mm model with rectangular base plate



### DESCRIPTION

Set of 2 tubular handrails in polished S.S. AISI-316L Ø 43 mm pipe. The exit grab rails with base plates are supplied with screws and wall plugs.

	Code	Standard Pack	Standard weight in kg	Standard volume in m <sup>3</sup>
Attachment by means of fixing plate	05543	1	7.6	0.08



## Crossover model with rectangular base plate



### DESCRIPTION

Set of 2 tubular handrails in polished S.S. AISI-316L Ø 43 mm pipe. The exit grab rails with base plates are supplied with wall plugs and screws.

	Code	Standard Pack	Standard weight in kg	Standard volume in m <sup>3</sup>
Attachment by means of fixing plate	05544	1	8.46	0.18



## Exit grab rails and lower end



### Parallel model



#### DESCRIPTION

Set of 2 x AISI-316L bright satin stainless steel Ø 43 mm pipe handrails. For fastening with anchoring fixtures code 00143 (not included in supply, see page 52).

	Code	Standard Pack	Standard weight in kg	Standard volume in m <sup>3</sup>
Parallel model	00110	1	10.0	0.11



### Asymmetrical model



#### DESCRIPTION

Set of 2 tubular handrails in polished S.S. AISI-316L Ø 43 mm pipe. For fixing with anchoring fixture code 00143 (not included, see page 52).

	Code	Standard Pack	Standard weight in kg	Standard volume in m <sup>3</sup>
Asymmetrical model	00111	1	10.1	0.14



Complies with Standard EN 16582-1:2015

### Split ladder - Bottom half



#### DESCRIPTION

Rails and steps in polished AISI-316L stainless steel (Ø 43 mm). Attachment with fixing plates, gaskets, screws and wall plugs. To connect ground earth cable use Equipotential Anchor items 73318 or 73319.

	Code	Standard Pack	Standard weight in kg	Standard volume in m <sup>3</sup>
2 "Luxe" steps	01456	1	5.0	0.04
3 "Luxe" steps	01457	1	6.3	0.04
4 "Luxe" steps	01458	1	7.7	0.05
5 "Luxe" steps	01459	1	9.2	0.07



Complies with Standard EN 13451-1 EN 13451-2

### Grab rail fixed out of the water



#### DESCRIPTION

In polished AISI-316L stainless steel (Ø 43 mm).

	Code	Standard Pack	Standard weight in kg	Standard volume in m <sup>3</sup>
For embedding	07780	1	6.7	0.118
With base plates (gaskets, wall plugs and screws)	07781	1	6.7	0.118

\* 1 additional year warranty. For more information see the warranty certificate in the manual.

POOL ACCESS

# Accessories, anchoring fixtures and grips

## Double non-slip safety step



**DESCRIPTION**

AISI-316L stainless steel with bright satin finish. For all in-ground pool ladder models.

	Code	Standard Pack	Standard weight in kg	Standard volume in m <sup>3</sup>
Safety step	70662	1	2.05	0.003

## Anchoring sockets



**DESCRIPTION**

In plastic, with connection to an equipotential circuit.

	Code	Standard Pack	Standard weight in kg	Standard volume in m <sup>3</sup>
For Ø 43 mm pipe.	00042	50	7.0	0.03
For Ø 48 mm pipe.	07661	-	-	-

## Articulated anchoring sockets



00043

08727



**DESCRIPTION**

In polished Stainless Steel (AISI-304L) for a ladder with a Ø 43 mm pipe.

	Code	Standard Pack	Standard weight in kg	Standard volume in m <sup>3</sup>
<b>Articulated anchoring socket</b> without base plate	00043	1	0.93	0.002
with base plate	08727	1	1.0	0.002

## Removable anchoring socket with base plate



**DESCRIPTION**

In polished stainless steel (AISI-316L) for a Ø 43 mm pipe with gaskets, wall plugs and screws.

	Code	Standard Pack	Standard weight in kg	Standard volume in m <sup>3</sup>
Set of 2 units	07331	1	1.00	0.003

## Anchor with locking bolts



**DESCRIPTION**

Made of polished AISI-316L stainless steel. For a Ø 43 mm pipe.

	Code	Standard Pack	Standard weight in kg	Standard volume in m <sup>3</sup>
Anchoring sockets	00143	2	1.2	0.003

# Accessories, anchoring fixtures and grips



## Ladder foot pad



### DESCRIPTION

Made of plastic, the angle can be adjusted by rotating the eye ball socket. Recommended for liner pools.

	Code	Standard Pack	Standard weight in kg	Standard volume in m <sup>3</sup>
For Ø 43 mm pipe.	00045	50	12.6	0.03
For Ø 28 mm pipes.	00046	50	14.0	0.03

## Stainless Steel Handrails



### DESCRIPTION

Polished Ø 43 mm AISI-316L stainless steel pipes. With fixing plates (including gaskets, screws and wall plugs).

	Code	Standard Pack	Standard weight in kg	Standard volume in m <sup>3</sup>
Length 0.5 m	00051	2	2.8	0.02
Length 1 m	00052	2	4.3	0.04
Length 2 m	00053	2	7.9	0.09
Length 2.5 m	00054	2	9.5	0.11

## Tee bar



### DESCRIPTION

Polished Ø 43 mm AISI-316L stainless steel pipes.

	Code	Standard Pack	Standard weight in kg	Standard volume in m <sup>3</sup>
With fixing plates (including gaskets, screws and wall plugs).	00056	1	2.09	0.01

## Equipotential anchor



### DESCRIPTION

The aim of this accessory for ladders is to solve the problem of not having the possibility to connect ground earth cable to ladders that do not have an anchoring on the pool beach like: Elegance and split ladders - items 45782, 45783, 01456, 01457, 01458, 01459, 08090, 08091 and 08092.

It is mandatory by norms to connect metallic ladders to ground earth in order to have proper electrical connections. Moreover, it is highly recommended to avoid corrosion.

Equipotential anchor for ladders, manufactured in AISI-304L stainless steel and commercialized for concrete and liner pools. The anchors are composed of a recessed base on the ground, washer, screws and the equipotential bonding.

Each ladder needs to 2 units.

	Code	Standard Pack	Standard weight in kg	Standard volume in m <sup>3</sup>
Concrete pools	73318	1	0.45	0.002
Liner pools	73319	1	0.50	0.002

## Dynamic flexible springboard



### DESCRIPTION

Wide springboard made of polyester resin and fibreglass. Resistant to UV exposure and adverse weather conditions. Non-slip surface covering the entire board. Supplied with anchoring fixtures.

	Code	Standard Pack	Standard weight in kg	Standard volume in m <sup>3</sup>
Length 1.61 m. Width 0.46 m	21392	1	22.0	0.335

## Dynamic 1200 Diving Board



### DESCRIPTION

Wide springboard made of polyester resin and fibreglass. Resistant to UV exposure and adverse weather conditions. Non-slip surface covering the entire board. Supplied with anchoring fixtures.

	Code	Standard Pack	Standard weight in kg	Standard volume in m <sup>3</sup>
Length 1.20 m. Width 0.40 m	20090	1	20.0	0.325

## Dynamic Diving Board



### DESCRIPTION

Wide springboard made of polyester resin and fibreglass, with non-slip surface. Grab rails and supports made of stainless steel with matt finish. Supplied with anchoring fixtures.

	Code	Standard Pack	Standard weight in kg	Standard volume in m <sup>3</sup>
Length 2 m, Width 0.60 m	23199	1	50.0	1.585
Length 2.30 m, Width 0.60 m	23200	1	52.0	1.585

## Dolphin Model

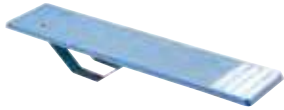


### DESCRIPTION

Flexible Polyester and fibreglass springboard in light blue. Supplied with anchoring fixtures.

	Code	Standard Pack	Standard weight in kg	Standard volume in m <sup>3</sup>
Length 1.6 m. Height 0.35 m	00076	1	22.0	0.138

## Ballesta Model



### DESCRIPTION

Light blue Polyester and fibreglass springboard. Springboard bracket made of galvanized Steel. Supplied with anchoring fixtures.

	Code	Standard Pack	Standard weight in kg	Standard volume in m <sup>3</sup>
Length 1.8 m, Height 0.25 m, Width 0.4 m	00077	1	27.0	0.084
Length 1.4 m, Height 0.25 m, Width 0.4 m	00078	1	25.0	0.072

## Elevated Model



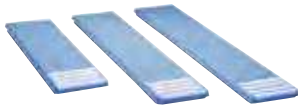
### DESCRIPTION

Base laminated in ivory-coloured Polyester and fibreglass, with light blue board. With 2 stainless steel handrails. Non-slip step and board. Supplied with anchoring fixtures.

	Code	Standard Pack	Standard weight in kg	Standard volume in m <sup>3</sup>
Length 2 m Height 0.55 m Width 0.4 m	00068	1	38.0	0.850
Length 2.5 m Height 0.75 m Width 0.46 m	00069	1	68.0	1.380

### PLATFORMS

## Platform



### DESCRIPTION

Light blue polyester and fibreglass boards with non-slip surface. Anchoring fixtures are not supplied.

	Code	Standard Pack	Standard weight in kg	Standard volume in m <sup>3</sup>
<b>Width 0.40 m</b>				
Length 1.4 m	00060	1	13.0	0.036
Length 1.8 m	00061	1	16.0	0.046
Length 2.0 m	00062	1	18.0	0.050
Length 2.3 m	00063	1	22.0	0.060
<b>Width 0.46 m</b>				
Length 2.5 m	00064	1	31.0	0.080
Length 3.2 m	00065	1	46.0	0.100



## Diving board brackets



### DESCRIPTION

Made of polished AISI-304L stainless steel, with platform fixing bolts.

	Code	Standard Pack	Standard weight in kg	Standard volume in m <sup>3</sup>
For boards up to 2.30 m in length	14586	1	8.0	0.040
For boards from 2.5 to 3.2 m in length	72594	1	8.4	0.102



## Pranaslide Model



### DESCRIPTION

Light blue polyester and fibreglass steps and slide. Grab rails made of white painted Aluminium. Fitted with a water supply connection to ease sliding. Supplied with anchoring fixtures.

	Code	Standard Pack	Standard weight in kg	Standard volume in m <sup>3</sup>
Height 1.50 m	00085	1	62.0	1.214
Height 1.80 m	00086	1	70.0	1.368

## Curved model



### DESCRIPTION

Light blue polyester and fibreglass steps and slide. Grab rails made of white painted Aluminium. Fitted with a water supply connection to ease sliding. Supplied with anchoring fixtures

	Code	Standard Pack	Standard weight in kg	Standard volume in m <sup>3</sup>
Right curve, height 1.78 m	00088	1	83.0	2.913
Left curve, height 1.78 m	00089	1	83.0	2.913

## Straight model



### DESCRIPTION

Light blue polyester and fibreglass slide. Plastic steps. Polished stainless steel handrails. Fitted with a water supply connection to ease sliding. Supplied with anchoring fixtures.

	Code	Standard Pack	Standard weight in kg	Standard volume in m <sup>3</sup>
Height 1.30 m	00081	1	31.0	0.550
Height 1.80 m	00082	1	38.0	0.850
Height 2.00 m	00083	1	44.0	0.750

SLIDES

# Slides



DESCRIPTION

Slide made of polyester, reinforced with fibreglass. Plastic steps. Stainless steel handrails. Fitted with a water supply connection to ease sliding. Supplied with anchoring fixtures. Available in white, blue and ivory.

	Code	Standard Pack	Standard weight in kg	Standard volume in m <sup>3</sup>
Straight	18543 MT07	1	-	6.48
Left curve	18545 MT07	1	-	8.30

SLIDES

# Typhoon Model



Available colours:



DESCRIPTION

Rotomolded slides with "easy grab" handrails and an enclosed non-slip ladder to ensure safe use. They are compatible with Salt Chlorination systems as indicated by the "Salt Pool Approved" label. Fitted with a water supply connection to ease sliding. Height 2.10 metres. Colour available: Sandstone.

	Code	Standard Pack	Standard weight in kg	Standard volume in m <sup>3</sup>
Typhoon Model	52253	1	61	-

# Cyclone Model



Available colours:



DESCRIPTION

Rotomolded slides with "easy grab" handrails and an enclosed non-slip ladder to ensure safe use. They are compatible with Salt Chlorination systems as indicated by the "Salt Pool Approved" label. Fitted with a water supply connection to ease sliding. Height 2.10 metres. Colour available: Sandstone.

	Code	Standard Pack	Standard weight in kg	Standard volume in m <sup>3</sup>
Cyclone Model	52254	1	115	-



# COMFORT & ELEGANCE FOR YOUR GARDEN

## SOLAR AND NON-SOLAR CHROME SHOWERS

With an elegant, streamlined design, the AstralPool Solar and Non-Solar Chrome showers range stands out for its modern vintage style, in a wide range of colors and finishes.

You can choose the one that best fits in with your pool surroundings.

**30 l  
tank**



Wide range of colors and finishes both models



Solar  
Chrome Shower

Non-Solar  
Chrome Shower



SHOWERS

# Chrome showers

## Solar Chrome Shower 30 L Tank



### DESCRIPTION

With an elegant, streamlined design, the AstralPool Chrome Solar Shower stands out for its modern vintage style, in a wide range of colors and finishes so that you can choose the one that best fits in with your pool surroundings. Enjoy a relaxing experience before and after every swim thanks to its large 30 l tank to obtain hot water without consuming energy. This green solution for the daily use of your pool contributes to looking after the environment, as well as your health and that of others.

### TECHNICAL SPECIFICATIONS:

- A 30 l hot water tank - The leading environmentally friendly system (sunlight heats the water) in the market.
- AISI-304-L Stainless Steel tube and Aluminum framework.
- Wide range of metallic finishes and colors.
- Anti-limescale shower head and rain effect.
- Hot and cold water mixer tap.
- Foot washer tap.
- Ease of maintenance: drainage for emptying the shower in winter to prevent damage and wear.
- Back inlet compatible with hose connection.

	Code	Standard Pack	Standard weight in kg	Standard volume in m <sup>3</sup>
<b>Metallic</b>				
Shower Chrome solar Anthracite S.S.	74052	1	13.5	0.25
Shower Chrome solar silver	74052CL12	1	13.5	0.25
Shower Chrome solar Anthracite copper	74053	1	13.5	0.25
<b>Colour range</b>				
Shower Chrome solar blue	74052CL153	1	13.5	0.25
Shower Chrome solar red	74052CL154	1	13.5	0.25
Shower Chrome solar green	74052CL155	1	13.5	0.25
Shower Chrome solar orange	74052CL156	1	13.5	0.25

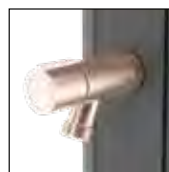
### PRODUCT DETAILS - EXAMPLE OF ITEM 74053



SHOWERHEAD



MIXER TAP



FOOT WASH



74052



74053



74052CL12



74052CL153



74052CL154



74052CL155



74052CL156

SHOWERS

# Chrome showers

## Non Solar Chrome Shower



### DESCRIPTION

Featuring the same elegant, streamlined look of its solar counterpart, the AstralPool Non-Solar Chrome Shower has a wide range of finishes that will allow you to choose the best option for your garden.

It has a shower head with an anti-limescale system and a rain effect so that you can enjoy a relaxing experience before and after every swim.

### TECHNICAL SPECIFICATIONS:

- AISI-304L stainless steel tube and Aluminum framework.
- Wide range of colors.
- Anti-limescale shower head and rain effect.
- Foot washer tap.
- Easy installation: inlet underneath or back/lateral (compatible with hose connection).

	Code	Standard Pack	Standard weight in kg	Standard volume in m <sup>3</sup>
<b>Metallic</b>				
Shower Chrome no solar anthracite S.S.	74054	1	9	0.11
Shower Chrome no solar silver	74054CL12	1	9	0.11
Shower Chrome no solar anthracite copper	74055	1	9	0.11
<b>Colour range</b>				
Shower Chrome no solar blue	74054CL153	1	9	0.11
Shower Chrome no solar red	74054CL154	1	9	0.11
Shower Chrome no solar green	74054CL155	1	9	0.11
Shower Chrome no solar orange	74054CL156	1	9	0.11

### PRODUCT DETAILS - EXAMPLE OF ITEM 74055



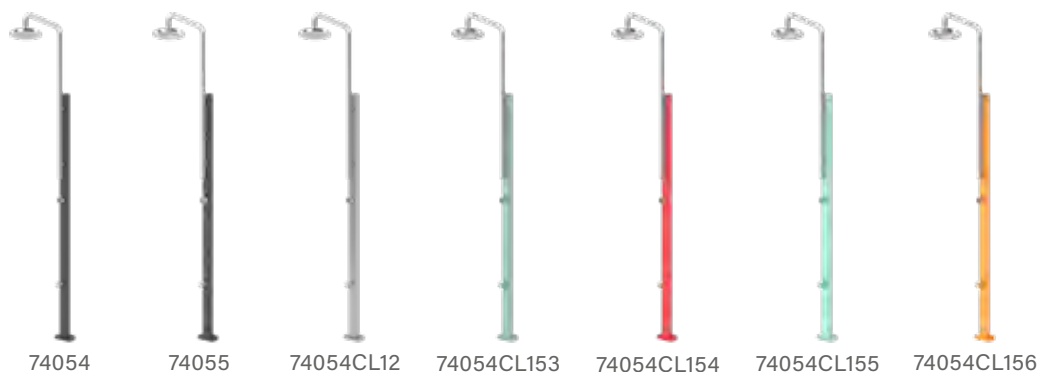
SHOWERHEAD



MIXER TAP



FOOT WASH



74054

74055

74054CL12

74054CL153

74054CL154

74054CL155

74054CL156

## Pluvium showers

### Pluvium shower



#### DESCRIPTION

Shower made of tropical wood combined with glossy AISI-316L stainless steel. Mixer valve for hot and cold water control. Adjustable shower head with anti-limescale system. Its minimalist and compact design provides an elegant and modern image for the pool environment and its high quality materials give it a long service life and greater resistance to weathering and corrosion.

Height of the shower head from the ground: 2.04 m.

	Code	Standard Pack	Standard weight in kg	Standard volume in m <sup>3</sup>
Pluvium Shower with shower tray	43583	1	38	0.169
Pluvium Shower without shower tray	43432	1	27	0.136



SHOWERHEAD



MIXER TAP



### Pluvium solar shower



#### DESCRIPTION

Solar shower made of tropical wood combined with glossy AISI-316L stainless steel. It includes a 30 L aluminium tank. Mixer valve for hot and cold water control. Adjustable shower head with anti-limescale system. Its minimalist and compact design provides an elegant and modern image for the pool environment and its high quality materials give it a long service life and greater resistance to weathering and corrosion.

Height of the shower head from the ground: 2.04 m.

	Code	Standard Pack	Standard weight in kg	Standard volume in m <sup>3</sup>
Pluvium Solar Shower without shower tray	43435	1	37	0.225



### Shower tray for Pluvium shower



#### DESCRIPTION

Shower tray for the Pluvium shower made of a combination of wood and glossy AISI-316L stainless steel. Its minimalist and compact design provides an elegant and modern image for the pool environment.

	Code	Standard Pack	Standard weight in kg	Standard volume in m <sup>3</sup>
Shower tray for Pluvium shower	43434	1	11	0.028



SHOWERS

# Iguazu showers

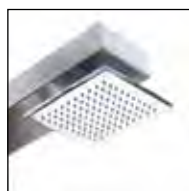
## Iguazu Shower



### DESCRIPTION

Matt AISI-316L stainless steel shower for hot and cold water with a white acrylic front panel. Adjustable chromed brass anti-limescale shower-head and 2 mist spray jets controlled by a 2-way control valve. The flow rate and the water temperature are regulated by a mixer valve.

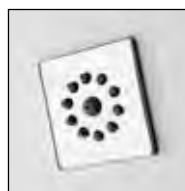
	Code	Standard Pack	Standard weight in kg	Standard volume in m <sup>3</sup>
Iguazu Shower	53874	1	27	0.163



SHOWERHEAD



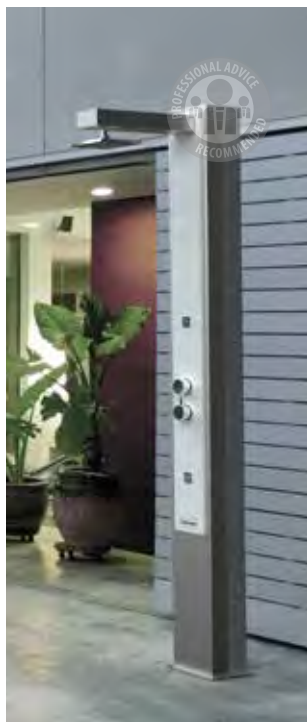
MIXER TAP



BODY JETS



## Iguazu Solar Shower



### DESCRIPTION

Matt AISI-316L stainless steel solar shower with a white acrylic front panel. Adjustable chromed brass anti-limescale shower-head and 2 mist spray jets controlled by a 2-way control valve. With a cold water inlet, it enables the water to be heated by means of a 30 litre aluminium accumulator tank, taking advantage of the sun's energy.

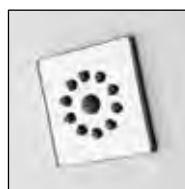
	Code	Standard Pack	Standard weight in kg	Standard volume in m <sup>3</sup>
Iguazu Solar Shower	56933	1	32	0.163



SHOWERHEAD



MIXER TAP



BODY JETS



# Solar showers

- + user comfort
- + energy saving
- + easy to install

## Niagara Solar Shower



### DESCRIPTION

Shower made of polished AISI-304L stainless steel. With a single cold water inlet, it enables the water to be heated by means of a 30 L aluminium accumulator tank, taking advantage of the sun's energy. It has a mixer valve and a square adjustable anti-limescale shower head.

	Code	Standard Pack	Standard weight in kg	Standard volume in m <sup>3</sup>
Niagara Solar Shower	53873	1	25	0.26

## Angel Solar Shower



### DESCRIPTION

Grey aluminium shower. With a cold water inlet, it enables the water to be heated by means of a 30 litre aluminium accumulator tank, taking advantage of the sun's energy. It has a mixer valve and an anti-limescale shower head.

	Code	Standard Pack	Standard weight in kg	Standard volume in m <sup>3</sup>
Angel Solar Shower	56932	1	13	0.152



SHOWERHEAD



MIXER TAP

SHOWERS

# Knob valves

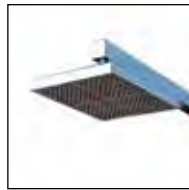
## Niagara Shower



### DESCRIPTION

Shower made of polished AISI-304L stainless steel with a square adjustable shower head and a flow-regulating valve.

	Code	Standard Pack	Standard weight in kg	Standard volume in m <sup>3</sup>
Niagara Shower	53872	1	22	0.125



SHOWERHEAD



KNOB



**RECOMMENDED**

Stainless steel polish/cleaner

See P. 246



## Niagara touchless shower



### DESCRIPTION

The Niagara touchless shower incorporates a proximity sensor that works with battery for turning on the shower without contact. Its minimalist design and the high quality of its materials provide you with an elegant and modern image.

**TECHNICAL FEATURES:**

- Made of AISI-304L polished stainless steel
- Water inlet connection 1/2" BSP INT
- Ground anchoring with screws
- Touchless system with sensor detection angle 15 degrees (conical)
- 6V DC Power supply (4xAA 1.5V). Batteries not included.
- Sensor protection class IP67
- Life test 500.000 cycles
- Working pressure 1-4 bar
- Max. temperature water 75°C

	Code	Standard Pack	Standard weight in kg	Standard volume in m <sup>3</sup>
Niagara touchless shower	74102	1	23	0.125



SHOWERHEAD



SENSOR

# Knob valves

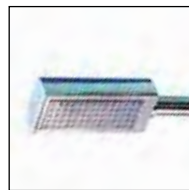
## Angel shower with footwash



### DESCRIPTION

AISI-304L polished stainless steel (Ø 43 mm) shower with 1 chrome anti-limescale showerhead and 1 flow opening valve. Includes footwash tap. With 00107 anchoring fixture incorporated (see page 67).

	Code	Standard Pack	Standard weight in kg	Standard volume in m <sup>3</sup>
Angel footwash	52718	1	5.6	0.43



SHOWERHEAD



KNOB



FOOTWASH TAP



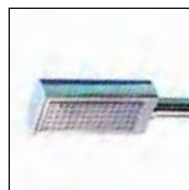
## Angel



### DESCRIPTION

AISI-304L polished stainless steel (Ø 43 mm) shower with 1 chrome anti-limescale showerhead and 1 flow opening valve. With 00107 anchoring fixture incorporated (see page 67).

	Code	Standard Pack	Standard weight in kg	Standard volume in m <sup>3</sup>
Angel Shower	52717	1	5.6	0.43



SHOWERHEAD



KNOB



## Angel Shower with 2 shower heads



### DESCRIPTION

AISI-304L polished stainless steel (Ø 63 mm) shower with 2 chrome anti-limescale showerheads and 2 flow opening valves. With 27333 anchoring fixture incorporated (see page 67).

	Code	Standard Pack	Standard weight in kg	Standard volume in m <sup>3</sup>
Angel Shower with 2 shower heads	59775	1	9.58	0.054



SHOWERHEAD



KNOB



## Showers with timers

- AISI-304L polished stainless steel shower, specially designed for high footfall facilities (public or semi-public pools).
- AstralPool showers for public facilities are characterised by their highly resistant materials, considered vandal-proof, and the water savings made thanks to their built-in flow limiters.
- Showerhead height from floor: 2 m.
- Fastened to floor with screws, with anchoring fixture incorporated.

### Shower with timer and 1 shower head



#### DESCRIPTION

Not designed for installation on a shower tray.



	Code	Standard Pack	Standard weight in kg	Standard volume in m <sup>3</sup>
Shower with timer and 1 shower head	59776	1	7.2	0.044



SHOWERHEAD



TIMER SWITCH

### Shower with timer, 1 shower head and footwash



	Code	Standard Pack	Standard weight in kg	Standard volume in m <sup>3</sup>
Shower with timer, 1 shower head and footwash	59777	1	7.5	0.044



SHOWERHEAD



TIMER SWITCHES



FOOTWASH TAP



SHOWERS

# Showers with timers



## Shower with timer and 2 shower heads



	Code	Standard Pack	Standard weight in kg	Standard volume in m <sup>3</sup>
Shower with timer and 2 shower heads	59778	1	7.5	0.044



SHOWERHEADS



TIMER SWITCHES



The new range of timer showers has replaced the showers with code numbers 00095, 00097, 08728, 15841, 19947.

SHOWERS

# Accessories

## Shower anchoring fixtures



### DESCRIPTION

Made of plastic, with a locking system for shower disassembly and bonded connection.

	Code	Standard Pack	Standard weight in kg	Standard volume in m <sup>3</sup>
Shower anchoring Ø 43 mm For models: 52717 and 52718	00107	1	0.48	0.003
Shower anchoring Ø 63 mm For model: 59775	27333	1	1.0	0.003



The new range of timer showers has replaced the showers with code numbers 00095, 00097, 08728, 15841, 19947.

# Shower trays

## Relax model shower tray



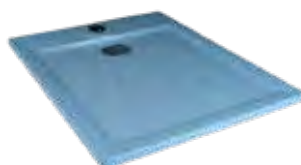
Also available with D.63 anchoring (20067) and without anchoring (20073).

### DESCRIPTION

Dimensions 80 cm x 90 cm. Large stainless steel shower tray positioned away from the standing area. Non-slip surface. Made of polyester + fibreglass. Gelcoat Finish.

	Code	Standard Pack	Standard weight in kg	Standard volume in m <sup>3</sup>
With Ø 43 mm anchoring fixture for Angel showers 52717 and 52718 (page 65).	20066	1	9.0	0.16

## Classic model shower tray



Also available with D.63 anchoring (19724) and without anchoring (19725).

### DESCRIPTION

Dimensions 100 cm x 80 cm. Large stainless steel shower tray. Non-slip surface. Made of polyester + fibreglass. Gelcoat Finish.

	Code	Standard Pack	Standard weight in kg	Standard volume in m <sup>3</sup>
With Ø 43 mm anchoring fixture for Angel showers 52717 and 52718 (page 65)	19723	1	10.0	0.16

## Shower tray



Available with D.63 anchoring (code 00104).

### DESCRIPTION

Dimensions 80 cm x 80 cm, with adjustable main drain. Ø 130 mm grille, Ø 50 mm connection. Made of polyester + fibreglass.

	Code	Standard Pack	Standard weight in kg	Standard volume in m <sup>3</sup>
With Ø 43 mm anchoring fixture for Angel showers 52717 and 52718 (page 65).	00103	1	11.0	0.16

ASTRALPOOL BIKE

# AstralPool Bike

**ASTRALPOOL** 



## DESCRIPTION

Aquabike made of square and rectangular polished AISI-316L stainless steel pipe. Ideal for gyms, wellness centres, spas, medical facilities, hotels and private pools.

- Adjustable height of saddle and handlebar.
- For use in public and residential pools from 1 to 1.5 metres in depth.
- Ergonomic.
- Pedals made of PUR.
- Easy to move about.

	Code	Standard Pack	Standard weight in kg	Standard volume in m <sup>3</sup>
AstralPool Bike	67333	1	20	0.12

# Pluvium water features

## and ornaments



**NOTE: The water features do NOT include anchoring, a pump, control panel or suction system.**

### DESCRIPTION

The water features in the AstralPool Signature range add a touch of elegance and design to any pool, not to mention their main purpose: increasing swimmers' feeling of wellbeing. We are proud to present the PLUVIUM cannon and waterfall. They combine wood and satin finish AISI 316L stainless steel. These products match others AstralPool Signature Pluvium shower range. 3-year warranty.

	Code	Standard Pack	Standard weight in kg	Standard volume in m <sup>3</sup>
Pluvium cannon, 7 m <sup>3</sup> /h, 5 mca.	45868	1	11	0.089
Pluvium waterfall, 12 m <sup>3</sup> /h, 2 mca.	45869	1	31	0.284

The following fastening systems are recommended:

	Code	Standard Pack	Standard weight in kg	Standard volume in m <sup>3</sup>
Pluvium cannon anchoring	45872	1	2	0.005
Pluvium waterfall anchoring	45873	1	3.5	0.015



# A-350 and A-500

## residential water curtains



### DESCRIPTION

- Range of ornamental fountains to enhance pool design.
- Made of AISI-304L and AISI-316L stainless steel.
- Polished finish.
- Fastened to the ground with screws and anchor studs.
- 1½" ext. R. connection.

	Code	Standard Pack	Standard weight in kg	Standard volume in m <sup>3</sup>
<b>Residential water curtain</b>				
A-350 AISI-316L	65104	1	10	-
A-500 AISI-316L	65105	1	13	-
A-350 AISI-304L	65106	1	10	-
A-500 AISI-304L	65107	1	13	-

**NOTE: The water features do not include a pump, control box or suction pipes.**

**NOTE:** The water features do not include a pump, control box or suction pipes.

- Range of cascades for residential pools made of AISI-316L stainless steel.
- The range is made up of three cascades in an outstanding modern design.
- Polished + matt finish.
- All models come with anchoring. A ½ HP pump is recommended.



## Classic water curtain



	Code	Standard Pack	Standard weight in kg	Standard volume in m <sup>3</sup>
Classic water curtain	57095	1	28	0.38



## Straight water curtain



	Code	Standard Pack	Standard weight in kg	Standard volume in m <sup>3</sup>
Straight water curtain	57096	1	36	0.25



## One water curtain



	Code	Standard Pack	Standard weight in kg	Standard volume in m <sup>3</sup>
One water curtain	57097	1	36	0.25

**RECOMMENDED**



Victoria Plus Silent pump

See P. 202

# Residential water curtain



**NOTE: The water features do not include a pump, control box or suction pipes.**

## DESCRIPTION

Residential water curtain in polished stainless steel. Fastened to the ground with screws and anchor studs.

	Code	Standard Pack	Standard weight in kg	Standard volume in m <sup>3</sup>
<b>AISI-316L stainless steel</b>				
A-350, 12 m <sup>3</sup> /h, 2 mca	52244	1	10	0.12
A-500, 18 m <sup>3</sup> /h, 2 mca	52245	1	15	0.24

## TECHNICAL FEATURES

Code	Suction concrete	Variable speed	Control box	*Optional Push button + Switch
52244	00302 x 2	65560	25719	04047 + 04050
52245	00302 x 2	65562	25719	04047 + 04050

\* See page 613.

\*\* Optional: components for turning the waterfall on from the pool.

# Residential water cannon



52242

52243



**NOTE: The water features do not include a pump, control box or suction pipes.**

## DESCRIPTION

Residential water cannon in polished stainless steel. Fastened to the ground with screws and anchor studs.

	Code	Standard Pack	Standard weight in kg	Standard volume in m <sup>3</sup>
<b>AISI-316L stainless steel</b>				
Round opening. 5 m <sup>3</sup> /h, 2 mca	52242	1	3	0.12
Flat opening. 15 m <sup>3</sup> /h, 2 mca	52243	1	5	0.13
<b>AISI-304L stainless steel</b>				
Round opening. 5 m <sup>3</sup> /h, 2 mca	52238	1	3	0.12
Flat opening. 15 m <sup>3</sup> /h, 2 mca	52239	1	5	0.13

## TECHNICAL FEATURES

Code	Suction concrete	Pump	Control box	*Optional Push button + Switch
52242	00302	65557	25718	04047 + 04050
52243	00302 x 2	65566	25719	04047 + 04050
52238	00302	65557	25718	04047 + 04050
52239	00302 x 2	65560	25719	04047 + 04050

\*Optional: components for turning the cannon on from the pool.



# Ornamental waterfalls



## DESCRIPTION

In AISI-316L stainless steel.

	Code	Standard Pack	Standard weight in kg	Standard volume in m <sup>3</sup>
Width (W) 300 mm, 1½" connection (B)	05577	1	6.9	0.06
Width (W) 600 mm, 2" connection (B)	05578	1	11.9	0.09

## TECHNICAL FEATURES

Code water feature	Face plate	Anchoring sockets		Suction		Pump	Control box		
		Concrete	Liner	Concrete	Liner		Manual push button	Pneumatic push button	
								Concrete	Liner
05577	-	-	-	19987 x 1	20091 x 1	38770	19988	07669	07868
05578	-	-	-	19987 x 2	20091 x 2	38776	19989	17154	17155

Note: The pneumatic push button includes: control box, wall conduits and push button.



# SilkFlow waterfalls

## DESCRIPTION

Waterfall made of corrosion resistant ABS. Can be fed through the return circuit of the pool filter or through a specific pump.



	Code	Standard Pack	Standard weight in kg	Standard volume in m <sup>3</sup>
300 mm waterfall	45205	1	1.19	0.012
600 mm waterfall	45206	1	2.36	0.021
900 mm waterfall	45207	1	3.45	0.003
1200 mm waterfall	45208	1	4.62	0.004

## TECHNICAL FEATURES

Code	Required water flow l/min	Standard pump size HP	A Length of waterfall	B Width of waterfall over the pool surface, at the recommended rate of l/min/m	C Recommended height for the waterfall	D Distance of the water at the recommended rate of l/min/m
45205	50	0,5	300 mm	200 mm	300 mm	300 mm
45206	100	0,5	600 mm	500 mm	600 mm	300 mm
45207	150	0,75	900 mm	800 mm	900 mm	300 mm
45208	200	0,75	1200 mm	1100 mm	900 mm	300 mm

## GENERAL NOTE FOR ALL MODELS

Made of PP stabilized against UV rays. The whole range comes in white. Ask your dealer about other colours.

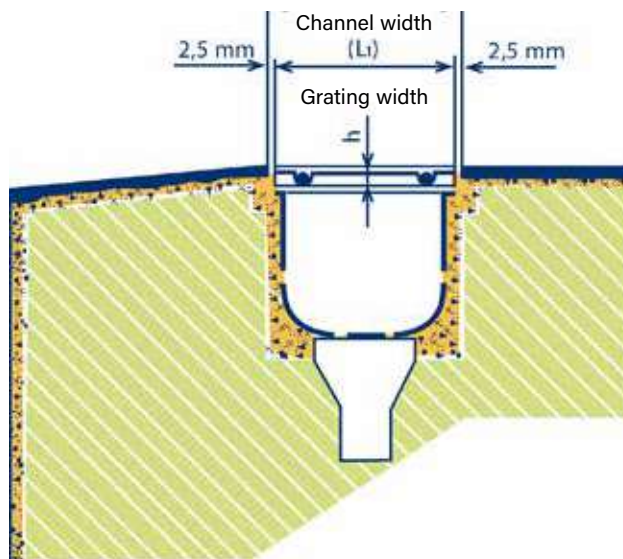
Made up of tiles in modules for straight and curved sections (outer radius of 1 or 2 m), they click into place (male-female fitting), which gives certain leeway in assembling them, as well as absorbing their potential expansion due to the temperature changes to which they are exposed.

For all models of grating, a channel 5 mm wider than the grating must be built so that it easily fits into place and any potential expansion is prevented.

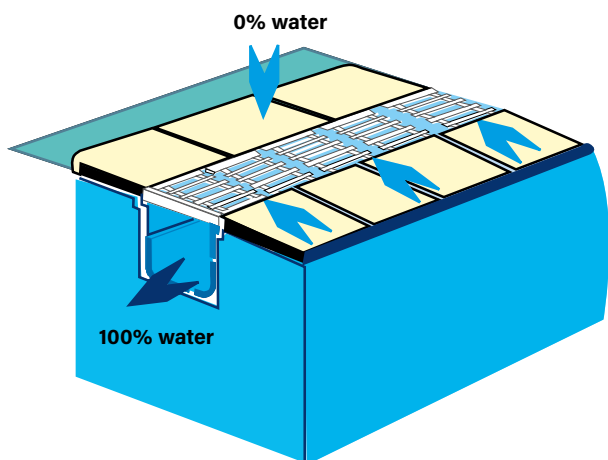
Channel width	Grating width
200.....	195
250.....	245
300.....	295
350.....	345

The height (h) of the grating varies depending on the model.

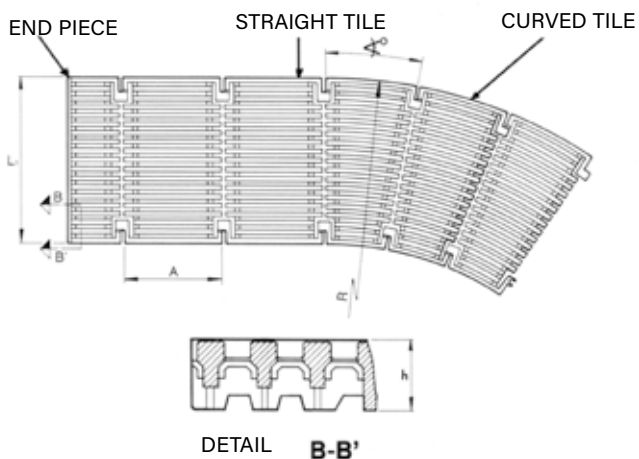
- Longitudinal model h = 24 mm
- Transversal model h = 22 mm and h = 35 mm



## LONGITUDINAL MODEL



The longitudinal design of this model ensures that any excess water from the pool is not allowed to overflow onto the pool deck, thus maintaining it practically dry.



	Model	L	L1	h	A	∠ r.1m.	∠ r.2m.
STRAIGHT TILE	05581	200	195	24	206	-	-
	05582	250	245	24	206	-	-
	05583	300	295	24	206	-	-
	05584	350	345	24	206	-	-
END PIECE	06420	200	195	24	-	-	-
	06421	250	245	24	-	-	-
	06422	300	295	24	-	-	-
	06423	350	345	24	-	-	-
CURVED TILE	08001	200	195	24	-	x	
	08002	300	295	24	-	x	
	07565	250	245	24	-	x	
	07566	350	345	24	-	x	
	05585	200	195	24	-		x
	05586	250	245	24	-		x



Other grating colours can be made to order. For further information, ask your AstralPool dealer.

GRILLES FOR OVERFLOW



## Longitudinal grating tile

DESCRIPTION

Made of PP stabilized against UV rays. Grating fastened together using male-female hooks (5 units = 1,024 meters). The flexible properties of the grating means a radius of up to 5 m can be covered.

	Code	Standard Pack	Standard weight in kg	Standard volume in m <sup>3</sup>
Height 24 mm, width 195 mm	05581	45	16.2	0.080
Height 24 mm, width 245 mm	05582	29	13.4	0.080
Height 24 mm, width 291 mm	05583	28	15.6	0.080
Height 24 mm, width 345 mm	05584	19	13.2	0.080



## Curved grating tile

DESCRIPTION

Made of PP stabilized against UV rays. Grating fastened together using male-female hooks.

	Code	Standard Pack	Standard weight in kg	Standard volume in m <sup>3</sup>
Height 24 mm, L 200 mm, L1 195 mm, Radius 1 m	08001	60	17.2	0.079
Height 24 mm, L 300 mm, L1 295 mm, Radius 1 m	08002	32	14.6	0.079
Height 24 mm, L 250 mm, L1 245 mm, Radius 1 m	07565	42	17.2	0.079
Height 24 mm, L 350 mm, L1 345 mm, Radius 1 m	07566	24	13.4	0.079
Height 24 mm, L 200 mm, L1 195 mm, Radius 2 m	05585	48	17.2	0.079
Height 24 mm, L 250 mm, L1 245 mm, Radius 2 m	05586	30	14.2	0.079

## End piece kit for parallel grating

DESCRIPTION

Made of AISI-304 stainless steel plate, with end piece and longitudinal grating made of PP stabilized against UV rays. Made so that the grating in the end piece can be cut to fit in place.

	Code	Standard Pack	Standard weight in kg	Standard volume in m <sup>3</sup>
Height 24 mm, width 195 mm	16064	15	5.11	0.002
Height 24 mm, width 245 mm	16065	12	5.17	0.002
Height 24 mm, width 291 mm	16066	8	4.21	0.002
Height 24 mm, width 345 mm	16067	8	5.00	0.002



## Perimeter grating

DESCRIPTION

Range of overflow grating for swimming pools. Made of homopolymer polypropylene, with additives for UV protection. Available in 500 mm long modules with male-female hooks for easy and fast assembly.

	Code	Standard Pack	Standard weight in kg	Standard volume in m <sup>3</sup>
0.5 m longitudinal grating Height 22 mm Width 195 mm	28664	20	19.9	0.080

# Modular transversal grating

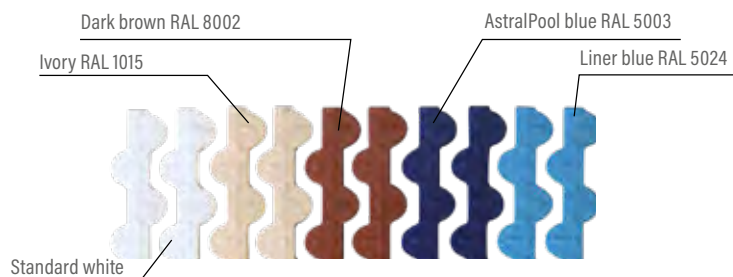
## for curves



### DESCRIPTION

Made of PP stabilized against UV rays. Assembled by fitting the modules together. Available in 5 colours. Other grating colours can be made to order. For further information, please contact your AstralPool dealer.

	Code	Standard Pack	Standard weight in kg	Standard volume in m <sup>3</sup>
<b>Modular grating for curves</b>				
Height 22 mm, width 195 mm	34190	470	14.1	0.08
Height 22 mm, width 245 mm	34191	320	12.4	0.08
Height 22 mm, width 295 mm	34192	300	15.0	0.08
Height 22 mm, width 335 mm	34193	250	15.0	0.08
<b>Reversible modular grating for curves</b>				
Height 35 mm, width 195 mm	34194	450	16.0	0.08
Height 35 mm, width 245 mm	34195	300	13.7	0.08
Height 35 mm, width 295 mm	34196	290	17.3	0.08
Height 35 mm, width 335 mm	34197	250	17.4	0.08



Colour	Code
White	-
RAL 1015	CL90
RAL 8002	CL109
RAL 5003	CL60
RAL 5024	CL 108

Note: Colours in the pictures are not exactly the same as in real product.



# Transversal grating for curves

### DESCRIPTION

Modular transversal grating for curves. Made of PP stabilized against UV rays. Assembled by fitting the modules together. Class 3 slip resistance (Rd>45) pursuant to UNE-ENV 12633: 2003.

	Code	Standard Pack	Standard weight in kg	Standard volume in m <sup>3</sup>
<b>Modular grating for curves</b>				
Height 22 mm, width 195 mm	52535	470	14.1	0.08
Height 22 mm, width 245 mm	52536	320	12.4	0.08
Height 22 mm, width 295 mm	52537	300	15.0	0.08
Height 22 mm, width 335 mm	52538	250	15.0	0.08
<b>Reversible modular grating for curves</b>				
Height 35 mm, width 195 mm	52539	450	16.0	0.08
Height 35 mm, width 245 mm	52540	300	13.7	0.08
Height 35 mm, width 295 mm	52541	290	17.3	0.08
Height 35 mm, width 335 mm	52542	250	17.4	0.08



Other grating colours can be made to order. For further information, ask your AstralPool dealer.

Other grating colours can be made to order. For further information, ask your AstralPool dealer.

GRILLES FOR OVERFLOW

# Modular transversal grating

## for curves



DESCRIPTION

Made of PP stabilized against UV rays. Assembled by fitting the modules together.

	Code	Standard Pack	Standard weight in kg	Standard volume in m <sup>3</sup>
<b>Modular grating for curves</b>				
Height 22 mm, width 195 mm	11107	470	15.8	0.080
Height 22 mm, width 245 mm	11108	320	13.6	0.080
Height 22 mm, width 295 mm	19202	300	18.0	0.080
Height 22 mm, width 335 mm	19203	250	17.0	0.080
<b>Reversible modular grating for curves</b>				
Height 35 mm, width 195 mm	00220	450	16.5	0.080
Height 35 mm, width 245 mm	00221	300	14.3	0.080
Height 35 mm, width 295 mm	00222	290	19.3	0.080
Height 35 mm, width 335 mm	00223	250	18.1	0.080

# Modular grating for curves



DESCRIPTION

Made of PP stabilized against UV rays. Assembled by fitting the modules together. Non-slip surface. Other colours available on request. For further information, please contact your AstralPool dealer. Compliant with standard EN-13451-1 (8 mm). Class 3 slip resistance (Rd>45) pursuant to UNE-ENV 12633: 2003.

	Code	Standard Pack	Standard weight in kg	Standard volume in m <sup>3</sup>
<b>Modular grating for curves</b>				
Height 22 mm, width 195 mm	28656	470	20.84	0.082
Height 22 mm, width 245 mm	28657	320	18.80	0.082
Height 22 mm, width 295 mm	28658*	300	18.80	0.082
Height 22 mm, width 335 mm	28659*	250	20.84	0.082
<b>Reversible modular grating for curves</b>				
Height 35 mm, width 195 mm	28660	450	26.90	0.082
Height 35 mm, width 245 mm	28661	300	24.70	0.082
Height 35 mm, width 295 mm	28662*	290	26.61	0.082
Height 35 mm, width 335 mm	28663*	250	22.25	0.082

\* In testing process.

# Transversal grating



DESCRIPTION

Made of PP stabilized against UV rays. Fastened together by a pass-through cable (49 units per metre).

	Code	Standard Pack	Standard weight in kg	Standard volume in m <sup>3</sup>
Height 22 mm, width 195 mm	00212	340	11.9	0.039
Height 22 mm, width 245 mm	00213	305	13.2	0.039

GRILLES FOR OVERFLOW

## Stainless steel plastic coated cable



### DESCRIPTION

Ø 2.5 mm for fastening modules together.

	Code	Standard Pack	Standard weight in kg	Standard volume in m <sup>3</sup>
Stainless steel plastic coated cable	00214	1000 m	21.0	0.036

## AISI-316L stainless steel plastic coated cable



### DESCRIPTION

Ø 2.5 mm for fastening modules together.

	Code	Standard Pack	Standard weight in kg	Standard volume in m <sup>3</sup>
AISI-316L stainless steel plastic coated cable	00215	1000 m	21.0	0.036

## Cable locking pins



### DESCRIPTION

Made of brass.

	Code	Standard Pack	Standard weight in kg	Standard volume in m <sup>3</sup>
Cable locking pins	00216	100	1.5	0.001

## Transversal grating tile



### DESCRIPTION

Made of PP stabilized against UV rays. Tiles fitted together using a snap fastening system (5 units = 0.975 m).

	Code	Standard Pack	Standard weight in kg	Standard volume in m <sup>3</sup>
Height 22 mm, width 245 mm	00217	52	22.8	0.080
Height 22 mm, width 295 mm	00218	45	23.1	0.080
Height 22 mm, width 335 mm	00219	38	22.0	0.080

Other grating colours can be made to order. For further information, ask your AstralPool dealer.

## Grating support profile



### DESCRIPTION

Suitable for grating heights of 22, 24 and 35 mm. Made of weather resistant plastic. Supplied in 2 m strips.

Inside measurements: 24 mm x 37 mm.

Available in other colours. For further information, ask your dealer.

	Code	Standard Pack	Standard weight in kg	Standard volume in m <sup>3</sup>
Grating support profile	00224	25	13.2	0.033

GRILLES FOR OVERFLOW

# 90° corner tiles for overflow channels



Other grating colours can be made to order. For further information, ask your AstralPool dealer.

## DESCRIPTION

Made of white, injection moulded copolymer polypropylene.

	Code	Standard Pack	Standard weight in kg	Standard volume in m <sup>3</sup>
<b>Height 22 mm</b>				
Channel width 195 mm	22379	4	2.8	0.006
Channel width 245 mm	22380	4	3.6	0.009
Channel width 295 mm	22381	4	4.8	0.012
Channel width 335 mm	22382	4	5.7	0.016
<b>Height 35 mm</b>				
Channel width 195 mm	22383	4	3.2	0.009
Channel width 245 mm	22384	4	4.1	0.014
Channel width 295 mm	22385	4	5.3	0.012
Channel width 335 mm	22386	4	6.2	0.023



# Stainless steel longitudinal grating



## DESCRIPTION

Longitudinal grating made of stainless steel. A channel 5 mm wider than the grating must be dug so that it is easy to fit.

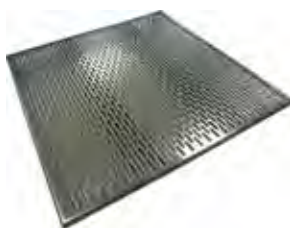
It is made up of straight sections of AISI-316L stainless steel, 500 mm in length. Straight sections can be made to measure in order to fit the length of any pool.

There are 4 different models depending on the grating used. Height 35 mm.

	Code	Standard Pack	Standard weight in kg	Standard volume in m <sup>3</sup>
<b>Stainless steel longitudinal grating</b>				
195 mm	32415	-	-	-
245 m	32416	-	-	-
295 mm	32417	-	-	-
345 mm	32418	-	-	-



70956



70957

# Stainless steel reinforced grating



## DESCRIPTION

AISI-316L stainless steel grating, compliant with standard EN: 1345-1:2000. Resistant to salt water. Intended for use in both residential and public pools.

	Code	Standard Pack	Standard weight in kg	Standard volume in m <sup>3</sup>
Reinforced 252 x 252 mm grating	70956	1	-	-
Reinforced 410 x 410 mm grating	70957	1	-	-





## POWERFALL WATER BLADES

### A water feature with soothing qualities

Water features and massage jets are now valued for both their relaxing and their aesthetic qualities. Compatible with all types of pool, **PowerFall water falls enhance the swimming pool and provide calm and well-being.**

#### > A TOP-OF-THE-RANGE TOUCH TO CUSTOMISE THE POOL

- The Zodiac® PowerFall water fall is available in 4 widths to customise the pool, based on the size of the pool.
- **Simple to install when constructing the pool**, the water fall draws its supply directly from the return circuit from the filtration system and creates **a harmonious and soothing sound.**



#### DID YOU KNOW?

As the first water fall 100% made of ABS plastic, Zodiac® PowerFall stands out for its high quality and unalterable manufacturing (corrosion free). Thanks to its patented X-Baffle® internal structure (item #2), the water fall is always constant and homogeneous whatever water flow is. PowerFall lip is made of translucent plastic (item # 1). Thus, they harmonize perfectly with the design of the pool whatever the color of the pool surface.



X-Baffle® system

DESIGN

# PowerFall



- + Durable: 100% ABS plastic
- + X-Baffle system: consistent water flow
- + Aesthetic and qualitative improvement for pools

**3**  
YEAR  
WARRANTY



OPTIONAL ACCESSORIES

PVC Adapter M/F 1.5"/50mm	PVC Adapter F/F 1.5"/1.5"
W8620110	W8620111

PRODUCT REFERENCES

PowerFall	1' (30 cm)	18' (46 cm)	2' (61 cm)	3' (91 cm)
Standard Model	WB000011	WB000008	WB000009	WB000010

OPTIMAL WATER FLOW FOR EACH ZODIAC® WATER FALL\*

PowerFall	1' (30 cm)	18' (46 cm)	2' (61 cm)	3' (91 cm)
Projection at 15 cm from the wall			5.5 m <sup>3</sup> /h	
Projection at 30 cm from the wall			7.0 m <sup>3</sup> /h	
Projection at 45 cm from the wall			11.5 m <sup>3</sup> /h	
Projection at 60 cm from the wall			15.0 m <sup>3</sup> /h	

\* Required flow rate for the water fall projection from the pool wall at 1 m height.

PIPE SIZE MUST BE CORRECTLY CHOSEN ACCORDING TO FLOW RATE

PowerFall	1' (30 cm)	18' (46 cm)	2' (61 cm)	3' (91 cm)
< 16 m <sup>3</sup> / hour			50 mm	
≥ 16 m <sup>3</sup> / hour			63 mm	

POWER / FLOW EQUIVALENCES REMINDER

PowerFall	1' (30 cm)	18' (46 cm)	2' (61 cm)	3' (91 cm)
3/4 CV			13 m <sup>3</sup> /h	
1 CV			16 m <sup>3</sup> /h	
1,5 CV			22 m <sup>3</sup> /h	
2 CV			30 m <sup>3</sup> /h	

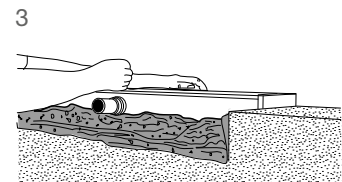
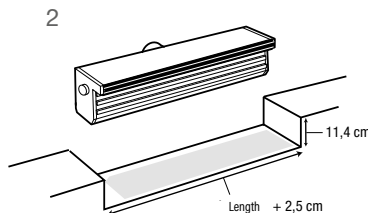
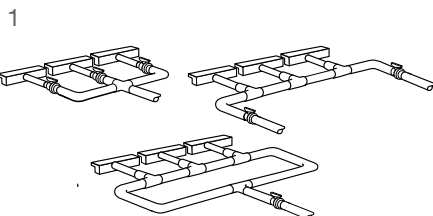
INSTALLATION

Important: the water fall must not be installed at more than 1.2 m from the water level.

• 1 - Place a separate valve on each cascade. If the cascades are the same size and installed at the same height, construct a loop to balance water flow to all units.

• 2 - Prepare the notch where the water fall will be installed: For PowerFall cascades, make a notch in the bond beam about 11 cm deep and 2.5 cm longer than the cascade.

• 3 - Water fall placement: Create a bed of mortar in the notch to reinforce the base. Place the water fall in the mortar and ensure it is level.



## COMMERCIAL POOLS

# POOL SURROUND EQUIPMENT



### 748 POOL ACCESS

- 748 Ladders
- 749 Exit grab rails
- 752 Anchoring sockets and handrails
- 754 Disabled access

### 757 HANDRAILS

- 757 Handrails
- 758 Handrails attachment support

### 759 LIFE-SAVING

- 759 Lifeguard chairs
- 760 Life-saving accessories

### 761 SHOWERS

- 761 Showers with timers
- 761 Shower tunnels
- 762 Outdoor footbaths

### 763 WATER GAMES AND ORNAMENTAL WATER FEATURES

- 763 Water curtains
- 767 Water cannons
- 770 Waterfalls
- 771 Umbrellas
- 772 Water mushrooms
- 774 Water features accessories
- 777 Water games
- 782 AstralPool Bike

### 783 GRILLES FOR OVERFLOW



# Ladders

## Overflow 1000 model



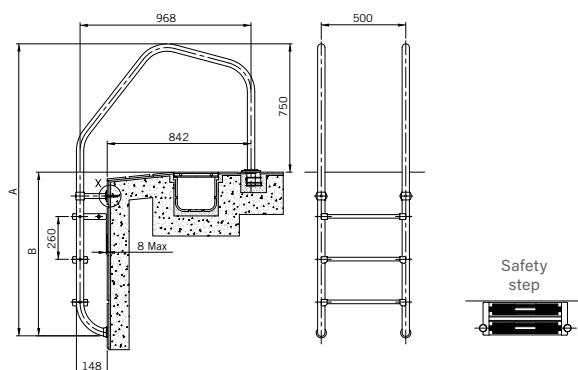
Complies with Standard  
EN 13451-1  
EN 13451-2

### DESCRIPTION

Ladder width 500 mm Ø 43 mm handrail, non-slip surface stainless treads, bright satin finish, anchoring fixtures for connection to the equipotential circuit and removable anchoring with plate for fastening to wall. AISI-316L handrail and steps.

	Code	Standard Pack	Standard weight in kg	Standard volume in m <sup>3</sup>
1 "Luxe" steps + 1 double safety step	07514	1	13.2	0.158
2 "Luxe" steps + 1 double safety step	07515	1	15.3	0.180
3 "Luxe" steps + 1 double safety step	07516	1	17.1	0.202
4 "Luxe" steps + 1 double safety step	07517	1	19.2	0.217

Code	Steps	A	B
07514	2	1450	700
07515	3	1710	960
07516	4	1970	1220
07517	5	2230	1480



## Ladder for swimming pools with overflow



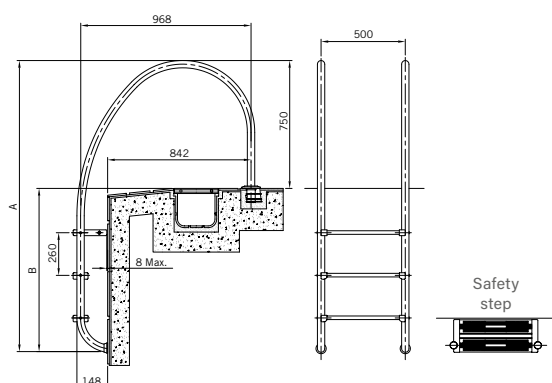
Complies with Standard  
EN 13451-1  
EN 13451-2

### DESCRIPTION

Includes variable radius curvature in grip section for a contemporary and attractive look. Steps 500 mm wide. Easy to install. Ø 43 mm x 1.5 mm handrail with AISI-316L bright satin finish stainless steel steps. Anchoring fixtures for connection to the equipotential circuit NB: Do not permit mounting on anchoring fixtures 00043, 08727, 07331, 18243.

	Code	Standard Pack	Standard weight in kg	Standard volume in m <sup>3</sup>
2 steps ladder	32653	1	13.2	0.158
3 steps ladder	32654	1	16.2	0.180
4 steps ladder	32655	1	17.1	0.202
5 steps ladder	32656	1	19.2	0.217

Code	Steps	A	B
32653	2	1450	700
32654	3	1710	960
32655	4	1970	1220
32656	5	2230	1480



POOL ACCESS

# Ladders



Complies with Standard  
EN 13451-1  
EN 13451-2

## Double non-slip safety step

### DESCRIPTION

AISI-316L stainless steel with bright satin finish. For all in-ground pool ladder models.

	Code	Standard Pack	Standard weight in kg	Standard volume in m <sup>3</sup>
Safety step	70662	1	2.05	0.003

## PMR ladder for public pools



Complies with Standard  
EN 13451-2

### DESCRIPTION

Public ladder manufactured in AISI-316L stainless steel. Polished finish. Step with non-slip punching.

	Code	Standard Pack	Standard weight in kg	Standard volume in m <sup>3</sup>
3 steps ladder	64894	1	35.0	-
4 steps ladder	64895	1	41.0	-
5 steps ladder	64896	1	35.0	-
6-step ladder	64897	1	46.5	-
7-step ladder	64898	1	46.5	-
8-step ladder	64899	1	46.5	-

POOL ACCESS

# Exit grab rails



**\* 1 additional year warranty. For more information see the warranty certificate in the manual.**

## 800 x 800 mm model

### DESCRIPTION

Set of 2 tubular handrails in polished S.S. AISI-316L Ø 43 mm pipe. Exit grab rails with fixing plates are supplied as a pair including fixing plates, gaskets, screws and wall plugs.

	Code	Standard Pack	Standard weight in kg	Standard volume in m <sup>3</sup>
Attachment by means of fixing plate	05541	1	9.27	0.10
Attachment for embedding	05540	1	8.40	0.10

\* 1 additional year warranty. For more information see the warranty certificate in the manual.


**POOL ACCESS**

## Exit grab rails

### 470 x 800 mm model


**DESCRIPTION**

Set of 2 tubular handrails in polished S.S. AISI-316L Ø 43 mm pipe. Exit grab rails with fixing plates are supplied as a pair including fixing plates, gaskets, screws and wall plugs.

	Code	Standard Pack	Standard weight in kg	Standard volume in m <sup>3</sup>
Attachment by means of fixing plate	05542	1	6.97	0.08

### 470 x 800 mm model

#### with rectangular base plate


**DESCRIPTION**

Set of 2 tubular handrails in polished S.S. AISI-316L Ø 43 mm pipe. The exit grab rails with base plates are supplied with screws and wall plugs.

	Code	Standard Pack	Standard weight in kg	Standard volume in m <sup>3</sup>
Attachment by means of fixing plate	05543	1	7.6	0.08

### Crossover model

#### with rectangular base plate


**DESCRIPTION**

Set of 2 tubular handrails in polished S.S. AISI-316L Ø 43 mm pipe. The exit grab rails with base plates are supplied with wall plugs and screws.

	Code	Standard Pack	Standard weight in kg	Standard volume in m <sup>3</sup>
Attachment by means of fixing plate	05544	1	8.46	0.18

### Parallel model


**DESCRIPTION**

Set of 2 tubular handrails in polished S.S. AISI-316L Ø 43 mm pipe. For fixing with anchoring fixture code 00143 (not included).

	Code	Standard Pack	Standard weight in kg	Standard volume in m <sup>3</sup>
Parallel model	00110	1	10.0	0.11

POOL ACCESS

\* 1 additional year warranty. For more information see the warranty certificate in the manual.



## Exit grab rails

### Asymmetrical model



#### DESCRIPTION

Set of 2 tubular handrails in polished S.S. AISI-316L Ø 43 mm pipe. For fixing with anchoring fixture code 00143 (not included).

	Code	Standard Pack	Standard weight in kg	Standard volume in m <sup>3</sup>
Asymmetrical model	00111	1	10.1	0.14

### Split ladder - Bottom half



Complies with Standard EN 13451-1 EN 13451-2

#### DESCRIPTION

AISI-316L bright satin stainless steel steps and Ø 43 mm handrail. Can be combined with any ladder model. Fastening with plates, gaskets, wall plugs and screws.

	Code	Standard Pack	Standard weight in kg	Standard volume in m <sup>3</sup>
1 "Luxe" step + 1 double safety step	08090	1	6.0	0.04
2 "Luxe" steps + 1 double safety step	08091	1	7.6	0.04
3 "Luxe" steps + 1 double safety step	08092	1	9.0	0.05
4 "Luxe" steps + 1 double safety step	08093	1	10.5	0.07

### Grab rails, fixed in and out of the water



#### DESCRIPTION

Polished AISI-316 stainless steel. Ø 43 mm.

	Code	Standard Pack	Standard weight in kg	Standard volume in m <sup>3</sup>
<b>For embedding</b>				
2 units. Length 1,220 mm	00034	1	11.4	0.14
2 units. Length 1,524 mm	00035	1	13.0	0.16
<b>With base plates (gaskets, wall plugs and screws)</b>				
2 units. Length 1,220 mm	00036	1	12.2	0.21
2 units. Length 1,524 mm	00037	1	13.6	0.24

### Grab rail fixed out of the water



#### DESCRIPTION

In polished AISI-316L stainless steel (Ø 43 mm).

	Code	Standard Pack	Standard weight in kg	Standard volume in m <sup>3</sup>
For embedding	07780	1	6.7	0.118
With base plates (gaskets, wall plugs and screws)	07781	1	6.7	0.118

# Anchoring sockets and handrails



## Anchoring sockets



### DESCRIPTION

Made of plastic, with earth connection.

	Code	Standard Pack	Standard weight in kg	Standard volume in m <sup>3</sup>
For Ø 43 mm pipe.	00042	50	7.0	0.03
For Ø 48 mm pipe.	07661	-	-	-



## Articulated anchoring sockets



### DESCRIPTION

In polished Stainless Steel (AISI-304L) for a ladder with a Ø 43 mm pipe.

	Code	Standard Pack	Standard weight in kg	Standard volume in m <sup>3</sup>
<b>Articulated anchoring socket</b> without base plate	00043	1	0.93	0.002
with base plate	08727	1	1.0	0.002



## Removable anchoring socket with base plate



### DESCRIPTION

In polished stainless steel (AISI-316L) for a Ø 43 mm pipe with gaskets, wall plugs and screws.

	Code	Standard Pack	Standard weight in kg	Standard volume in m <sup>3</sup>
Set of 2 units	07331	1	1.00	0.003



## Anchor with locking bolts



### DESCRIPTION

Made of polished AISI-316L stainless steel. For a Ø 43 mm pipe.

	Code	Standard Pack	Standard weight in kg	Standard volume in m <sup>3</sup>
Anchoring sockets	00143	2	1.2	0.003

# Anchoring sockets and handrails



## Ladder foot pad



### DESCRIPTION

Made of plastic, the angle can be adjusted by rotating the eye ball socket. Recommended for liner pools.

	Code	Standard Pack	Standard weight in kg	Standard volume in m <sup>3</sup>
For Ø 43 mm pipe	00045	50	12.6	0.03
For Ø 28 mm pipes	00046	50	14.0	0.03



## Stainless Steel Handrails



### DESCRIPTION

Polished Ø 43 mm AISI-316L stainless steel pipes. With fixing plates (including gaskets, screws and wall plugs).

	Code	Standard Pack	Standard weight in kg	Standard volume in m <sup>3</sup>
Length 0.5 m	00051	2	2.8	0.02
Length 1 m	00052	2	4.3	0.04
Length 2 m	00053	2	7.9	0.09
Length 2.5 m	00054	2	9.5	0.11



## Tee bar



### DESCRIPTION

Polished Ø 43 mm AISI-316L stainless steel pipes.

	Code	Standard Pack	Standard weight in kg	Standard volume in m <sup>3</sup>
With fixing plates (including gaskets, screws and wall plugs).	00056	1	2.09	0.01



## Equipotential anchor



### DESCRIPTION

The aim of this accessory for ladders is to solve the problem of not having the possibility to connect ground earth cable to ladders that do not have an anchoring on the pool beach.

It is mandatory by norms to connect metallic ladders to ground earth in order to have proper electrical connections. Moreover, it is highly recommended to avoid corrosion.

Equipotential anchor for ladders, manufactured in AISI-304L stainless steel and commercialized for concrete and liner pools. The anchors are composed of a recessed base on the ground, washer, screws and the equipotential bonding.

Each ladder needs to 2 units.

	Code	Standard Pack	Standard weight in kg	Standard volume in m <sup>3</sup>
Concrete pools	73318	1	0.45	0.002
Liner pools	73319	1	0.50	0.002

# Disabled access



## Pal and Pal II portable chairs for disabled



### DESCRIPTION

- Portable chair for disabled.
- No assembly required in pool deck area.
- The rechargeable 24V battery powers a mechanical actuator, ensuring that the chair is already ready for use. 30-Cycle duration once charged.
- The perfect solution for facilities with multiple pools as it can be set up anywhere along the pool deck and put away when not in use.
- Waterproof remote control.
- Easy to use, even for the end user. Just roll the chair to the edge of the pool, lock the wheels, set the stabilizers, and it is ready to use.
- Structure made of waterproof materials to prevent corrosion.
- Armrest and footrest included.
- The Pal makes any pool accessible in seconds. It is truly the easiest way to get everyone into the water.

	Code	Standard Pack	Standard weight in kg	Standard volume in m <sup>3</sup>
PAL II chair.				
Counterweight in cement blocks.	69444	1	-	-

\* Ask your AstralPool distributor about infinity pools, spas and other non-standard models.



## Splash semi-portable lifting system for disabled people



### DESCRIPTION

- Semi-portable chair installed on the pool deck for disabled people.
- Includes a cart to carry the chair in order to install it in different locations.
- Installation requires a ground anchor. Its 24 V rechargeable battery supplies power to a metallic actuator, ensuring that the device is always ready for use.
- Duration of 30 cycles once loaded.
- Waterproof remote control.
- The Splash is equipped with a water resistant structure to prevent corrosion and it has armrests and a footrest.
- Its load capacity of 136 kg and its 359° swivel makes it one of the most practical solutions for disabled access to the pool.

	Code	Standard Pack	Standard weight in kg	Standard volume in m <sup>3</sup>
Splash Chair	53924	1	390	1.789





## Disabled access

### Hydraulic lift



#### DESCRIPTION

- It is made up of a structure made of polished Ø 43 mm AISI-316L stainless steel pipes to which the hydraulic mechanism supporting the chair is fitted.
- For the hydraulic mechanism to work there needs to be a water supply with a minimum pressure of 3.5 kg/cm<sup>2</sup>.

	Code	Standard Pack	Standard weight in kg	Standard volume in m <sup>3</sup>
<b>Fully equipped lift</b>				
with a 650-mm-long handrail	71657	1	-	-
with a 1000-mm-long handrail	71658	1	-	-
<b>Optional:</b>				
Headrest	71185	1	-	-
Foot rests	71186	1	-	-

Min. swimming pool depth:  
1 m

#### INSTALLATION:

The external attachment is by means of two fixed metallic anchors (supplied with the device) and two adjustable front supports, which make it possible to adjust the lift to the finishes of different swimming pools.

To make it easier for people that require a hydraulic lift chair to get in and out of leisure or hydrotherapy pools. Easy to assemble.

### Hydraulic lift



#### DESCRIPTION

- It is made up of a structure made of polished Ø 43 mm AISI-316L stainless steel pipes to which the hydraulic mechanism supporting the chair is fitted, and a ladder at the side for the assistant.
- For the hydraulic mechanism to work there needs to be a water supply with a minimum pressure of 3.5 kg/cm<sup>2</sup>.

	Code	Standard Pack	Standard weight in kg	Standard volume in m <sup>3</sup>
L-650 Railings	28619	1	18.7	0.253
L-1000 Railings	28620	1	35.5	0.383
Cylinder	28621	1	13.8	0.042
Accessories	28622	1	18.3	0.178

Min. swimming pool depth:  
1.5 m

#### INSTALLATION:

The external attachment is by means of two fixed metallic anchors (supplied with the device) and two adjustable front supports, which make it possible to adjust the lift to the finishes of different swimming pools.

To make it easier for people that require a hydraulic lift chair to get in and out of leisure or hydrotherapy pools. Easy to assemble.

For pools shallower than 1.5 m please ask your dealer.

POOL ACCESS

# Disabled access

## 500 mm width model



### DESCRIPTION

Made of polished Ø 43 mm AISI-316L stainless steel pipes. Plastic non-slip steps. Supplied with anchoring fixtures and earth connection.

	Code	Standard Pack	Standard weight in kg	Standard volume in m <sup>3</sup>
4 steps	00116	1	28.0	0.300
5 steps	00117	1	40.9	0.300
6 steps	00118	1	47.5	0.370
7 steps	00119	1	51.4	0.370
8 steps	00120	1	48.0	1.057



## 970 mm width model



### DESCRIPTION

Made of polished Ø 43 mm AISI-316L stainless steel pipes. Plastic non-slip steps. Supplied with anchoring fixtures and earth connection.

	Code	Standard Pack	Standard weight in kg	Standard volume in m <sup>3</sup>
4 steps	00116 + 4 Kit 28615	1	-	-
5 steps	00117 + 5 Kit 28615	1	-	-
6 steps	00118 + 6 Kit 28615	1	-	-
7 steps	00119 + 7 Kit 28615	1	-	-
8 steps	00120 + 8 Kit 28615	1	-	-

We also supply the pipes and components needed to install grab rails or other decorative features around the edge of pools.

## Step kit for converting

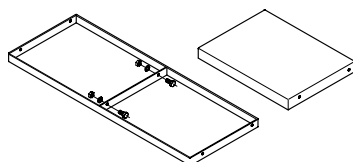
### a ladder's width from 500 to 970 mm



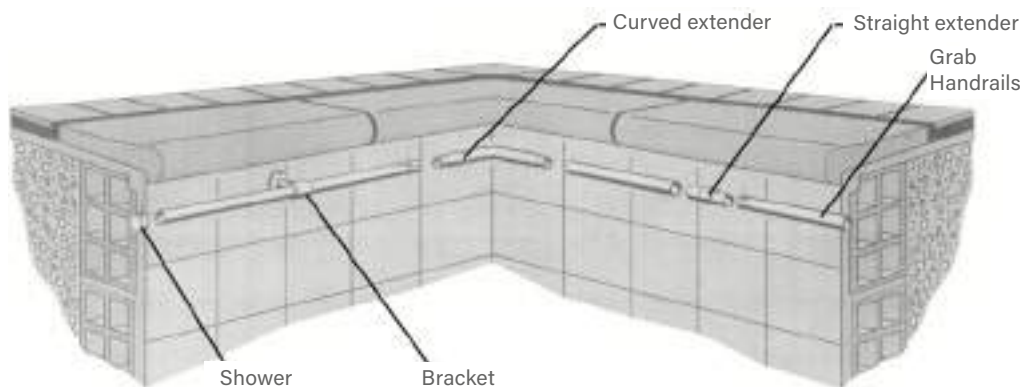
### DESCRIPTION

To convert the ladder from 500 mm to 970 mm, one "Step kit" is required for each of the steps of the ladder. It is made of polished AISI-316L stainless steel pipes, with plastic non-slip steps.

	Code	Standard Pack	Standard weight in kg	Standard volume in m <sup>3</sup>
Step kit	28615	1	5.9	0.027



# Handrails



## Straight handrails



### DESCRIPTION

In polished AISI-316L stainless steel pipe (Ø 43 mm). The length required must be ordered.

	Code	Standard Pack	Standard weight in kg	Standard volume in m <sup>3</sup>
With sealed ends	05545	1	1.5	0.002
With open ends	19946	1	1.3	0.002
With one end sealed and the other open	20092	1	1.3	0.002

## Straight handrail connector



### DESCRIPTION

Made of polished AISI-316L stainless steel. For joining Ø 43 mm stainless steel pipes.

	Code	Standard Pack	Standard weight in kg	Standard volume in m <sup>3</sup>
Straight handrail connector	09452	1	0.32	0.001

## Curved connector



### DESCRIPTION

Made of polished AISI-316L stainless steel. For joining Ø 43 mm pipes.

	Code	Standard Pack	Standard weight in kg	Standard volume in m <sup>3</sup>
Curved connector	11286	1	0.3	0.001

## End Caps



### DESCRIPTION

For the end of Ø 43 mm handrail pipes. Made of polished AISI-316L stainless steel.

	Code	Standard Pack	Standard weight in kg	Standard volume in m <sup>3</sup>
End cap	08014	1	0.1	0.001

## Handrails attachment support

### Bracket closed at one end



#### DESCRIPTION

Made of AISI-316L stainless steel for Ø 43 mm handrails. Supplied with screws, gasket and wall plugs.

	Code	Standard Pack	Standard weight in kg	Standard volume in m <sup>3</sup>
Bracket closed at one end	07789	2	0.6	0.002

### 90° Angle handrail support



#### DESCRIPTION

Made of AISI-316L stainless steel for Ø 43 mm handrails. Supplied with screws, gasket and wall plugs.

	Code	Standard Pack	Standard weight in kg	Standard volume in m <sup>3</sup>
90° Angle handrail support	11143	1	1.17	0.002

### Adaptor kit for liner swimming pools



#### DESCRIPTION

Made of AISI-316L stainless steel.

	Code	Standard Pack	Standard weight in kg	Standard volume in m <sup>3</sup>
Adaptor kit for liner swimming pools	26172	1	0.3	0.002

### Split bracket



#### DESCRIPTION

For Ø 43 mm pipe. Made of polished AISI-316L stainless steel. Supplied with screws and wall plugs (concrete swimming pools) and gasket and screws (liner swimming pools).

	Code	Standard Pack	Standard weight in kg	Standard volume in m <sup>3</sup>
Concrete swimming pool	25342	2	0.72	0.002
Liner swimming pool	28618	2	1.40	0.002

### Straight bracket with base plate



#### DESCRIPTION

Made of AISI-316L polished stainless steel for Ø 43 mm handrails. Supplied with screws, gasket and wall plugs.

	Code	Standard Pack	Standard weight in kg	Standard volume in m <sup>3</sup>
Straight bracket with base plate	08013	2	0.5	0.002

## Lifeguard chairs

### Lifeguard chair



#### DESCRIPTION

Made with polished Ø 43 mm AISI-304L stainless steel pipes. The steps, platform and chair are made of plastic. The base bar has wheels.

	Code	Standard Pack	Standard weight in kg	Standard volume in m <sup>3</sup>
Lifeguard chair	56993	1	55.6	0.52
Lifebuoy holder	56994	1	0.6	0.03
Sunshade bracket	56995	1	0.6	0.01



56994

56995

### H-400 quick access lifeguard chair



#### DESCRIPTION

Made of polished Ø 43 mm AISI-304L stainless steel pipes. The steps, platform and chair are made of plastic. Large platform and 90° rotating seat to increase the range of vision. Ideal for children's or paddling pools.

Includes bracket for sunshade.

	Code	Standard Pack	Standard weight in kg	Standard volume in m <sup>3</sup>
H-400 lifeguard chair	15673	1	39.6	0.66

### Multipurpose H-1000 lifeguard chair



#### DESCRIPTION

Made of polished Ø 43 mm AISI-304L stainless steel pipes. The steps, platform and chair are made of plastic. Large platform and 90° rotating seat to increase the range of vision. Includes bracket for sunshade.

	Code	Standard Pack	Standard weight in kg	Standard volume in m <sup>3</sup>
H-1000 lifeguard chair	15674	1	65.0	1.64

## Life-saving accessories

### Lifebuoy holder



#### DESCRIPTION

Made of AISI-316L stainless steel with connection to telescopic handles 01361, 01362, 01363 and 15838 by means of wing nuts.

	Code	Standard Pack	Standard weight in kg	Standard volume in m <sup>3</sup>
Lifebuoy holder	01368	1	1.46	0.03

### Lifebuoy



#### DESCRIPTION

Made of Styropor covered with orange canvas, Ø 700 mm.

	Code	Standard Pack	Standard weight in kg	Standard volume in m <sup>3</sup>
Lifebuoy	01369	6	18.0	0.330

### Lifebuoy holder



#### DESCRIPTION

Made of polished AISI-304L stainless steel. It can be hung on the wall or fitted to a lifebelt holder post (code 01371). It is supplied with wall plugs and screws.

	Code	Standard Pack	Standard weight in kg	Standard volume in m <sup>3</sup>
Lifebuoy holder	01370	1	1.16	0.004

### Lifebelt holder post



#### DESCRIPTION

In polished AISI-316L stainless steel (Ø 43 mm). Baseplate with 3 holed. Supplied with flexible seal, wall plugs and screws.

	Code	Standard Pack	Standard weight in kg	Standard volume in m <sup>3</sup>
Lifebelt holder post	01371	1	3.0	0.01

SHOWERS

# Showers with timers

## Shower with timer and 4 shower heads



DESCRIPTION

AISI-304L polished stainless steel shower, specially designed for high footfall facilities (public or semi-public pools). AstralPool showers for public facilities are characterised by their highly resistant materials, considered vandal-proof, and the water savings made thanks to their built-in flow limiters. Showerhead height from floor: 2 m. Fastened to floor with screws, with anchoring fixture incorporated. Fastens to ground with screws and includes an anchoring fixture.

	Code	Standard Pack	Standard weight in kg	Standard volume in m <sup>3</sup>
Shower with timer and 4 shower heads	59779	1	18.7	0.166



SHOWERHEADS



TIMER SWITCHES

SHOWERS

# Showers tunnels

## Shower tunnel with arch



DESCRIPTION

For swimming pool entrances. Made of polished AISI-304L stainless steel pipe with a diameter of 28 mm. Supplied with wall plugs and screws.

	Code	Standard Pack	Standard weight in kg	Standard volume in m <sup>3</sup>
<b>1 Arch</b>				
with 3 shower heads. Width 1.2 m.	00100	1	9,6	0.10
with 5 shower heads. Width 2 m.	19948	1	10.4	0.14



SHOWERHEAD



## Shower tunnels

### Control column



#### DESCRIPTION

Made of AISI-304L stainless steel. The control the automatic opening and closing of the water circuit. It includes the following elements: a 220V/24V transformer, a photoelectric timer cell and an electro valve. It is supplied with wall plugs and screws.

	Code	Standard Pack	Standard weight in kg	Standard volume in m <sup>3</sup>
Control column	00102	1	7.0	0.02

## Outdoor footbaths

### Footwash for public use



#### DESCRIPTION

Footwash tray measuring 2 x 1 m, for public use. Made of polyester resin and fibreglass. Finished with Gelcoat. Specifications:

- Drain grille 3/8"
- Overflow and water inlet connection 3/8".
- Non-slip surface incorporated in the polyester.
- Angled tray to avoid water build-up.

	Code	Standard Pack	Standard weight in kg	Standard volume in m <sup>3</sup>
Blue colour	21255	1	30.0	0.91
White colour	21255CLO7	1	30.0	0.91

### Dosing recipient



#### DESCRIPTION

Designed to be installed in the footwash (screwed or glued) as a recipient for a 200 g Chlorine tablet that dissolves gradually and disinfects the water. Includes locking screws to prevent undue opening as well as for ensuring user safety.

	Code	Standard Pack	Standard weight in kg	Standard volume in m <sup>3</sup>
Dosing recipient	25356	-	-	-

# Water curtains

**NOTE:** The water features do not include a pump, control box or suction pipes.

- Range of cascades for residential pools made of AISI-316L stainless steel.
- The range is made up of three cascades in an outstanding modern design.
- Polished + matt finish.
- All models come with anchoring. A ½ HP pump is recommended (code 65557).

POOL SURROUND EQUIPMENT



## Classic water curtain



	Code	Standard Pack	Standard weight in kg	Standard volume in m <sup>3</sup>
Classic water curtain	57095	1	28	0.38



## Straight water curtain



	Code	Standard Pack	Standard weight in kg	Standard volume in m <sup>3</sup>
Straight water curtain	57096	1	36	0.25



## One water curtain



	Code	Standard Pack	Standard weight in kg	Standard volume in m <sup>3</sup>
One water curtain	57097	1	36	0.25

RECOMMENDED



Victoria Plus Silent pump

See P.202



## Residential water curtain



### DESCRIPTION

Residential water curtain in polished stainless steel. Fastened to the ground with screws and anchor studs.

	Code	Standard Pack	Standard weight in kg	Standard volume in m <sup>3</sup>
<b>In AISI-316L stainless steel</b>				
A-350 - 12 m <sup>3</sup> /h, 2 mca	52244	1	10	0.12
A-500 - 18 m <sup>3</sup> /h, 2 mca	52245	1	15	0.24

**NOTE:** The water features do not include a pump, control box or suction pipes.

### TECHNICAL FEATURES

Code	Suction concrete	Pump	Control box	*Optional Push button + Switch
52244	00302 x 2	65560	25719	04047 + 04050
52245	00302 x 2	65562	25719	04047 + 04050

\* Optional: components for turning the waterfall on from the pool.

**NOTE: The water features do not include anchoring, pump, control panel nor suction system.**



## Water curtains

### Cobra Curtain

**ASTRALPOOL**

#### DESCRIPTION

Height: 1.2 m. Width 600 mm. AISI-316L stainless steel.

	Code	Standard Pack	Standard weight in kg	Standard volume in m <sup>3</sup>
Matt finish	19972	1	23.2	0.630
Painted in white	19973	1	23.2	0.630



### Boa Curtain

**ASTRALPOOL**

#### DESCRIPTION

Height: 1.2 m. Width 340 mm. AISI-316L stainless steel.

	Code	Standard Pack	Standard weight in kg	Standard volume in m <sup>3</sup>
Bright polished	19974	1	11.2	0.278



### Luxe Curtain

**ASTRALPOOL**

#### DESCRIPTION

Height: 0.9 m. AISI-316L stainless steel.

	Code	Standard Pack	Standard weight in kg	Standard volume in m <sup>3</sup>
Bright polished	19975	1	60.0	0.547



### Arched Curtain

**ASTRALPOOL**

#### DESCRIPTION

AISI-316L stainless steel matt finish.

	Code	Standard Pack	Standard weight in kg	Standard volume in m <sup>3</sup>
Width 600 mm, Height 800 mm	20129	1	34.1	0.247
Width 600 mm, Height 1000 mm	20130	1	62.0	0.547
Width 1000 mm, Height 1000 mm	20131	1	106.5	1.044

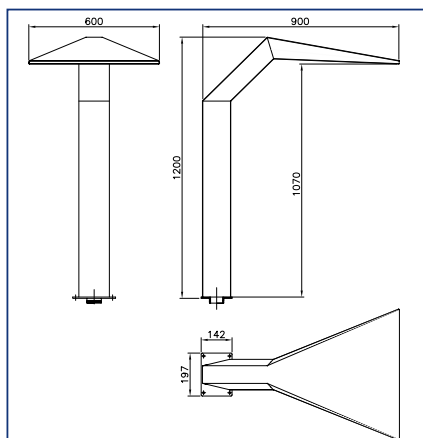
# Water curtains

**NOTE:** The water features do not include anchoring, pump, control panel nor suction system.

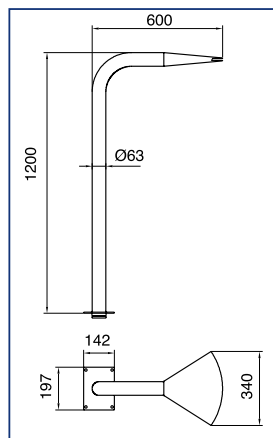
## Cobra, Boa, Luxe, Arched curtains



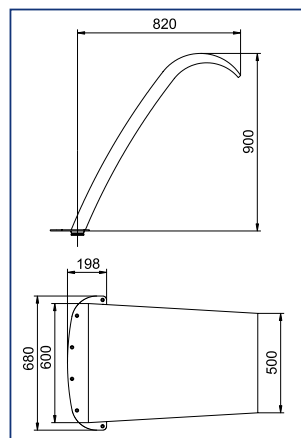
19972-19973



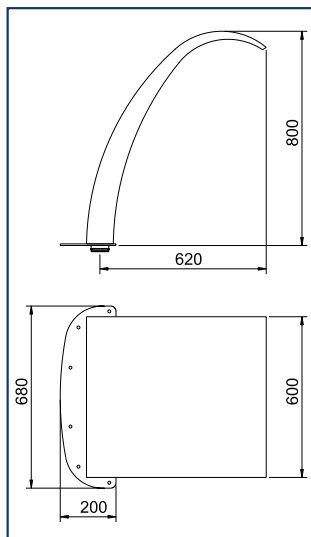
19974



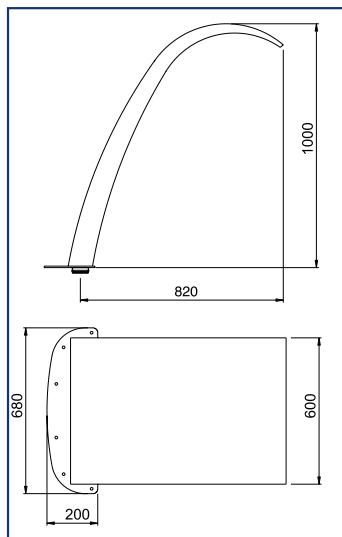
19975



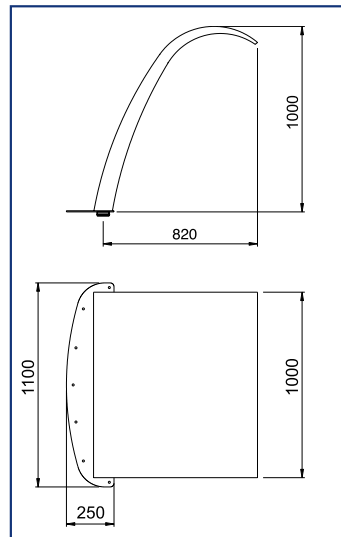
20129



20130



20131



### TECHNICAL FEATURES

Curtain code	Faceplate	Anchoring sockets		Suction		Pump	Control box	
		Concrete	Concrete	Liner	Manual push button		Pneumatic push button	
							Concrete	Liner
19972	19981	19983	19987 x 3	20091 x 3	65570	19990	07537	07867
19973	19982	19983	19987 x 3	20091 x 3	65570	19990	07537	07867
19974	19977	19983	19987 x 2	20091 x 2	65565	19989	17154	17155
19975	-	19985	19987 x 3	20091 x 3	65570	19990	07537	07867
20129	-	19985	19987 x 3	20091 x 3	65570	19990	07537	07867
20130	-	19985	19987 x 3	20091 x 3	65570	19990	07537	07867
20131	-	20135	19987 x 3	20091 x 3	65570	19990	07537	07867

Note: The pneumatic push button includes: control box, wall conduits and push button.

**NOTE:** The water features do not include anchoring, pump, control panel nor suction system.

# Water curtains

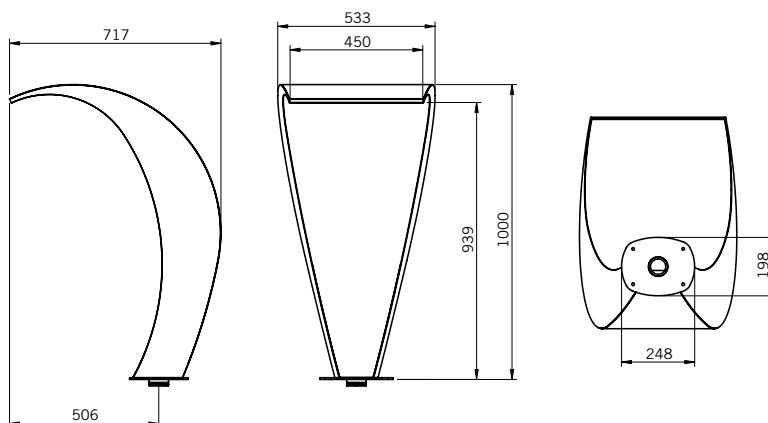
## Swan Curtain 450



### DESCRIPTION

In AISI-316L stainless steel.

	Code	Standard Pack	Standard weight in kg	Standard volume in m <sup>3</sup>
Matt finish	34387	1	27.7	0.356

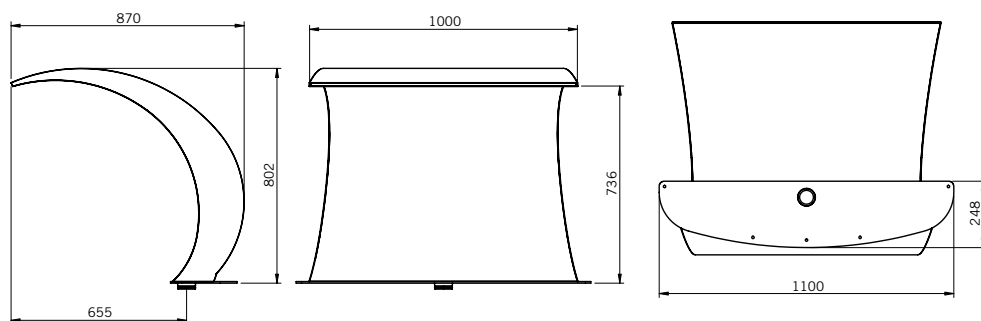


## Swan Curtain 1000

### DESCRIPTION

In AISI-316L stainless steel.

	Code	Standard Pack	Standard weight in kg	Standard volume in m <sup>3</sup>
Matt finish	34390	1	38.2	0.872



### TECHNICAL FEATURES

Curtain code	Anchoring sockets		Suction		Pump	Control box		
	Concrete	Concrete	Concrete	Liner		Manual push button	Pneumatic push button	
							Concrete	Liner
34387	19983	19987 x 2	20091 x 2	65565	19989	17154	17155	
34390	20135	19987 x 3	20091 x 3	65570	19990	07537	07867	

Note: The pneumatic push button includes: control box, wall conduits and push button.

**NOTE:** The water features do not include anchoring, pump, control panel nor suction system.

## Water cannons

### Cannons



#### DESCRIPTION

In AISI-316L polished stainless steel (cannon only, no nozzles) Ø 50mm pipe. Height 1.2 m.

	Code	Standard Pack	Standard weight in kg	Standard volume in m <sup>3</sup>
Cannon	19968	1	7.2	0.193

### Interchangeable nozzles



	Code	Standard Pack	Standard weight in kg	Standard volume in m <sup>3</sup>
Nozzle No 1	05572	1	0.66	0.003
Nozzle No 2	05573	1	0.46	0.003
Nozzle No 3	05574	1	0.56	0.003
Nozzle No 4	05575	1	0.81	0.003

### Vertical



#### DESCRIPTION

In polished AISI-316L Stainless Steel. Pipe: Ø 84 mm. Height 1.5 m.

	Code	Standard Pack	Standard weight in kg	Standard volume in m <sup>3</sup>
Single	19969	1	10	0.080

**NOTE: The water features do not include anchoring, pump, control panel nor suction system.**



52242

52243

**NOTE: The water features do not include a pump, control box or suction pipes.**

**NOTE: The water features do not include anchoring, pump, control panel nor suction system.**



## WATER GAMES AND ORNAMENTAL WATER FEATURES

# Water cannons

## Residential water cannon

### DESCRIPTION

Residential water cannon in polished stainless steel. Fastened to the ground with screws and anchor studs.

	Code	Standard Pack	Standard weight in kg	Standard volume in m <sup>3</sup>
<b>AISI-316L stainless steel</b>				
Round opening. 5 m <sup>3</sup> /h, 2 mca	52242	1	3	0.12
Flat opening. 15 m <sup>3</sup> /h, 2 mca	52243	1	5	0.13
<b>AISI-304L stainless steel</b>				
Round opening. 5 m <sup>3</sup> /h, 2 mca	52238	1	3	0.12
Flat opening. 15 m <sup>3</sup> /h, 2 mca	52239	1	5	0.13

### TECHNICAL FEATURES

Code	Suction concrete	Pump	Control box	*Optional Push button + Switch
52242	00302	65557	25718	04047 + 04050
52243	00302 x 2	65560	25719	04047 + 04050
52238	00302	65557	25718	04047 + 04050
52239	00302 x 2	65560	25719	04047 + 04050

\*Optional: components for turning the cannon on from the pool.

## Bell

### DESCRIPTION

In AISI-316L stainless steel. Pipe: Ø 63 mm. Height 1.2 m.

	Code	Standard Pack	Standard weight in kg	Standard volume in m <sup>3</sup>
Bell	19971	1	9.2	0.274



**NOTE: The water features do not include anchoring, pump, control panel nor suction system.**

# Water cannons

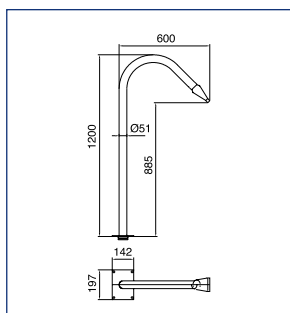
## Deluxe Cannon



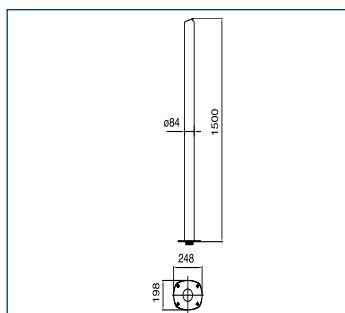
### DESCRIPTION

Stainless Steel polished AISI-316L. Pipe: Ø 63 mm. Height: 0.8 mm.

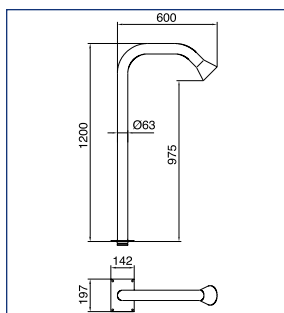
	Code	Standard Pack	Standard weight in kg	Standard volume in m <sup>3</sup>
Flat	19970	1	8.2	0.211
Circular	20132	1	9.4	0.209
6 outlets	20133	1	8.6	0.213



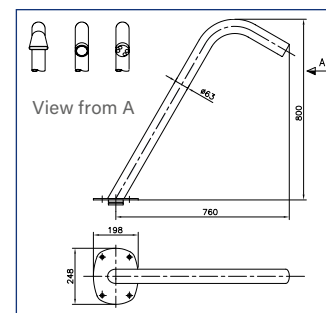
19968



19969



19971



19970-20132-20133

### TECHNICAL FEATURES

Code water feature	Face plate	Anchoring sockets		Suction		Pump	Control box	
		Concrete	Concrete	Liner	Manual push button		Pneumatic push button	
							Concrete	Liner
19968	19976	19983	19987 x 1	20091 x 1	65558	19988	07669	07868
19969	19978	19983	19987 x 1	20091 x 1	65558	19988	07669	07868
19970	-	19983	19987 x 1	20091 x 1	65558	19988	07669	07868
19971	19977	19983	19987 x 2	20091 x 2	65565	19989	17154	17155
20132	-	19983	19987 x 1	20091 x 1	65558	19988	07669	07868
20133	-	19983	19987 x 1	20091 x 1	65558	19988	07669	07868

Note: The pneumatic push button includes: control box, wall conduits and push button.

# Waterfalls

## Ornamental waterfalls



**NOTE: The water features do not include a pump, control box or suction pipes.**

### DESCRIPTION

In AISI-316L stainless steel.

	Code	Standard Pack	Standard weight in kg	Standard volume in m <sup>3</sup>
Width (W) 300 mm, 1½" connection (B)	05577	1	6.9	0.06
Width (W) 600 mm, 2" connection (B)	05578	1	11.9	0.09

### TECHNICAL FEATURES

Water feature code	Face plate	Anchoring sockets		Suction		Pump	Control box		
		Concrete	Liner	Concrete	Liner		Manual push button	Pneumatic push button	
								Concrete	Liner
05577	-	-	-	19987 x 1	20091 x 1	65558	19988	07669	07868
05578	-	-	-	19987 x 2	20091 x 2	65565	19989	17154	17155

Note: The pneumatic push button includes: control box, wall conduits and push button.



## SilkFlow waterfalls

### DESCRIPTION

Waterfall made of corrosion resistant ABS. Can be fed through the return circuit of the pool filter or through a specific pump.

	Code	Standard Pack	Standard weight in kg	Standard volume in m <sup>3</sup>
300 mm waterfall	45205	1	1.19	0.012
600 mm waterfall	45206	1	2.36	0.021
900 mm waterfall	45207	1	3.45	0.003
1200 mm waterfall	45208	1	4.62	0.004
1800 mm waterfall	54090	1	7.0	0.057

**NOTE: The water features do not include a pump, control box or suction pipes.**

### TECHNICAL FEATURES

Code	Required water flow l/min	Standard pump size HP	A Length of waterfall	B Width of waterfall over the pool surface, at the recommended rate of l/min/m	C Recommended height for the waterfall	D Distance of the water at the recommended rate of l/min/m
45205	50	0,5	300 mm	200 mm	300 mm	300 mm
45206	100	0,5	600 mm	500 mm	600 mm	300 mm
45207	150	0,75	900 mm	800 mm	900 mm	300 mm
45208	200	0,75	1200 mm	1100 mm	900 mm	300 mm
54090	300	1,50	1800 mm	1700 mm	900 mm	300 mm

**NOTE: The water features do not include anchoring, pump, control panel nor suction system.**

# Umbrellas

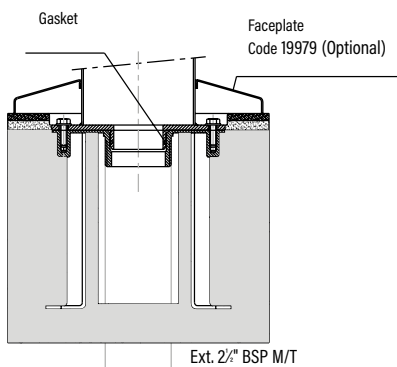
## Umbrellas



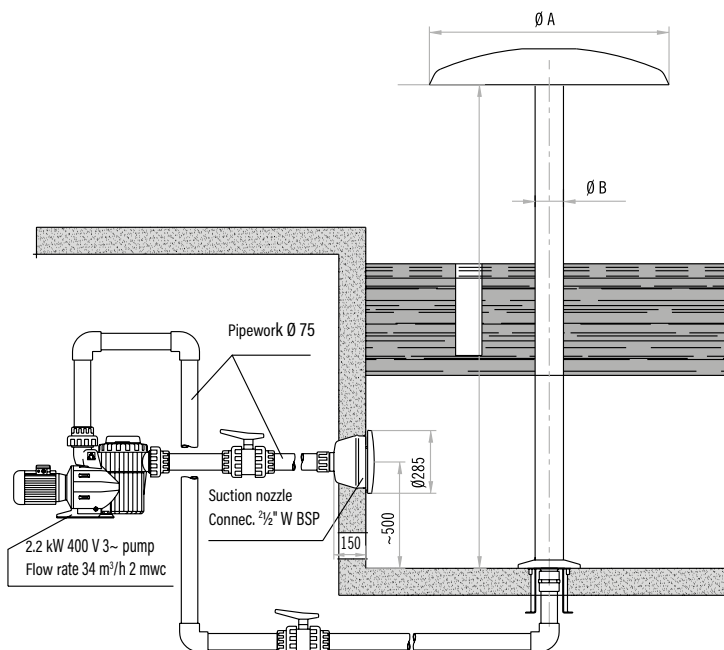
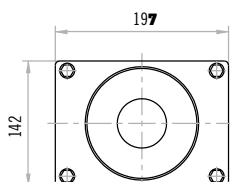
### DESCRIPTION

In AISI-316L Stainless Steel polished column. Umbrella in polyester.

	Code	Standard Pack	Standard weight in kg	Standard volume in m <sup>3</sup>
Umbrella S, Ø 1100 mm	22750	1	30.0	0.450
Umbrella M, Ø 1500 mm	22751	1	85.0	1.900
Umbrella L, Ø 2000 mm	22752	1	110.0	2.400
Umbrella XL, Ø 2500 mm	22753	1	130.0	3.500
Column Ø 129 mm	22754	1	23.4	0.274
Column Ø 254 mm	22755	1	55.8	0.507



Anchor detail



### TECHNICAL FEATURES

Parasol Ø	Canopy	Column	Face plate	Anchoring sockets		Suction		Pump	Control box		
				Concrete	Liner	Concrete	Liner		Manual push button	Pneumatic push button	
										Concrete	Liner
1100	22750	22754	19979	19983	15833	19987 x 3	20091 x 3	65570	19990	07537	07867
1500	22751	22755	19980	19984	19986	19987 x 4	20091 x 4	08003	19991	-	-
2000	22752	22755	19980	19984	19986	19987 x 4	20091 x 4	08003	19991	-	-
2500	22753	22755	19980	19984	19986	19987 x 5	20091 x 5	08004	19992	-	-

Note: The pneumatic push button includes: control box, wall conduits and push button.

**NOTE: The water features do not include anchoring, pump, control panel nor suction system.**

# Water mushrooms

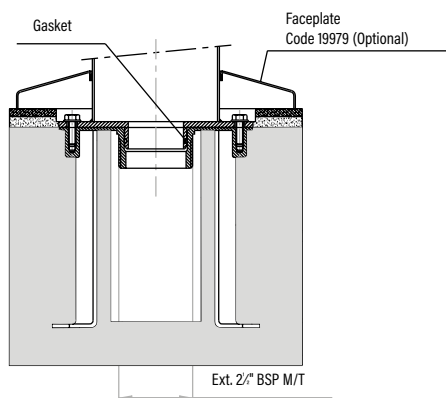
## Mushrooms



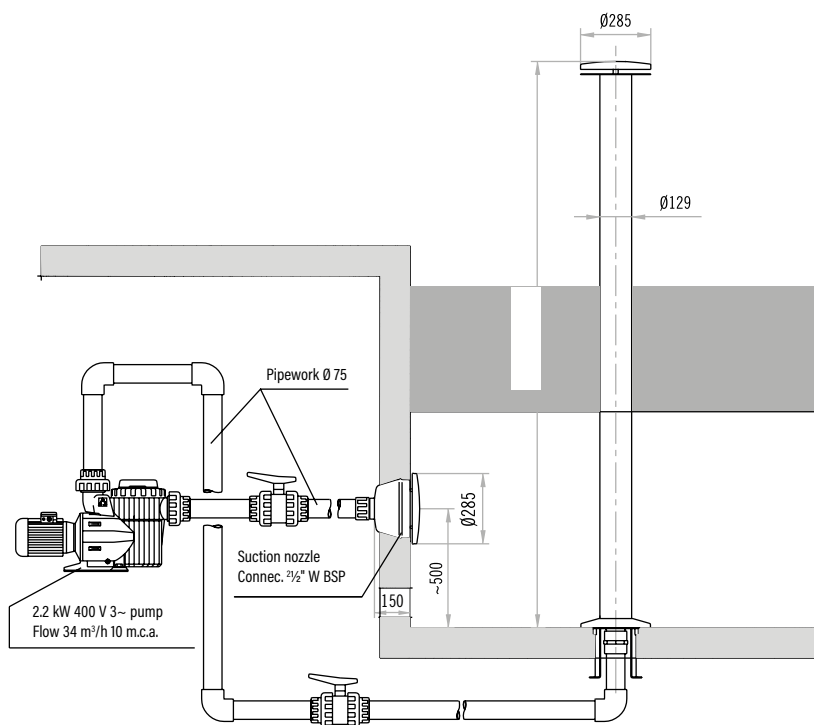
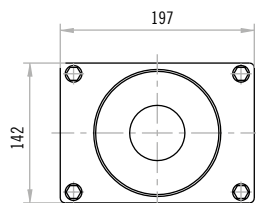
### DESCRIPTION

In AISI-316L polished stainless steel. Column Ø 129 mm. Height 2.3 m.

	Code	Standard Pack	Standard weight in kg	Standard volume in m <sup>3</sup>
Mushroom Ø 285 mm	19966	1	24.8	0.273



### Anchor detail



### TECHNICAL FEATURES

Code water feature	Face plate	Anchoring sockets		Suction		Pump	Control box		
		Concrete	Liner	Concrete	Liner		Manual push button	Pneumatic push button	
								Concrete	Liner
19966	19979	19983	15833	19987 x 3	20091 x 3	65570	19990	07537	07867

Note: The pneumatic push button includes: control box, wall conduits and push button.

**NOTE:** The water features do not include anchoring, pump, control panel nor suction system.

# Water mushrooms

## Water Mushroom Ø 250 mm



### DESCRIPTION

In AISI-316L stainless steel. Its fastening system allows it to be fitted in concrete or prefabricated pools. Column Ø 104 mm. Height 385 mm.

	Code	Standard Pack	Standard weight in kg	Standard volume in m <sup>3</sup>
Matt finish	34378	1	5.4	0.34

## Water Mushroom Ø 400 mm



### DESCRIPTION

Made of AISI-316L. It has been designed for installing in prefab. and concrete pools. Column Ø 129 mm. Height 460 mm.

	Code	Standard Pack	Standard weight in kg	Standard volume in m <sup>3</sup>
Matt finish	34381	1	9.6	0.124

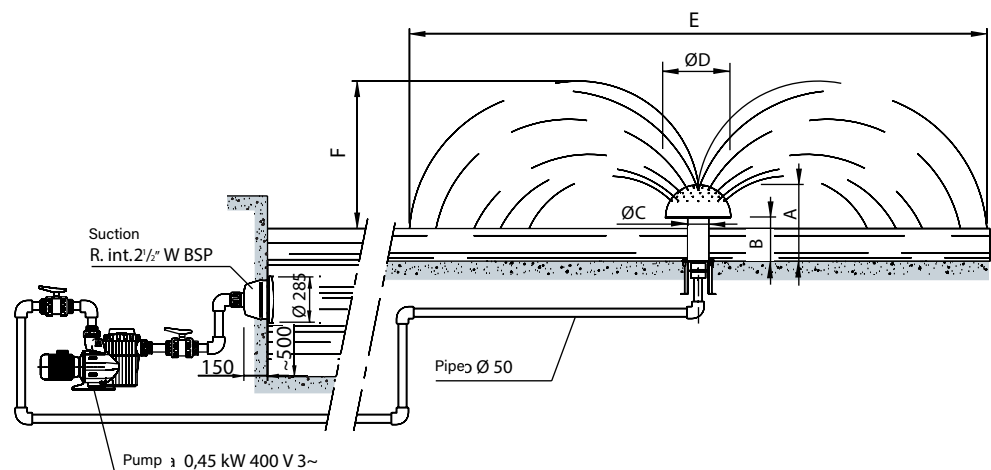
## Water Mushroom Ø 670 mm



### DESCRIPTION

Made of AISI-316L. It has been designed for installing in prefab. and concrete pools. Column Ø 168 mm. Height 600 mm.

	Code	Standard Pack	Standard weight in kg	Standard volume in m <sup>3</sup>
Matt finish	34384	1	24.5	0.377



### TECHNICAL FEATURES

Mushroom Ø	Size in cm					Feature code	Anchoring sockets		Suction		Pump	Control box			
	A	B	Ø C	E	F		Concrete	Liner	Concrete	Liner		Manual push button	Pneumatic push button		
													Concrete	Liner	
250	385		104	5000	1500	34378									
400	460	270	129	6600	1700	34381	19983	15833	19987x1	20091x1	65558	19988	07669	07868	
670	600		168	7000	1800	34384									

Note: The pneumatic push button includes: control box, wall conduits and push button.

**NOTE: The water features do not include anchoring, pump, control panel nor suction system.**



## Water features accessories

### Concrete pool wall suction point



#### DESCRIPTION

In AISI-316L Stainless Steel. Ø 285 mm. Suction point for water features. Connection 2½". Max. Recommended flow: 13 m³/h.

	Code	Standard Pack	Standard weight in kg	Standard volume in m³
Concrete swimming pool	19987	1	2.9	0.018



### Prefabricated and liner pool wall suction point



#### DESCRIPTION

In AISI-316L Stainless Steel. Ø 285 mm. Suction point for water features. Connection 2½". Max. Recommended flow: 13 m³/h.

	Code	Standard Pack	Standard weight in kg	Standard volume in m³
Prefabricated and liner pool	20091	1	2.9	0.018



19983

### Anchoring for liner pools



#### DESCRIPTION

In AISI-316L Stainless Steel. Includes base for embedding, fixing plate, gaskets and earth connection. Connection 2½".

	Code	Standard Pack	Standard weight in kg	Standard volume in m³
Rectangular anchoring	19983	1	2.1	0.012
Ø 254 mm anchoring	19984	1	9.8	0.113
600 mm wide anchoring	19985	1	6.4	0.039
1000 mm wide anchoring	20135	1	10.8	0.076



15833

### Anchoring for liner pools



#### DESCRIPTION

In AISI-316L Stainless Steel. Includes base for embedding, fixing plate, 3 gaskets and earth connection. Connection 2½".

	Code	Standard Pack	Standard weight in kg	Standard volume in m³
Rectangular anchoring	15833	1	2.5	0.007
Ø 254 mm anchoring	19986	1	11.0	0.400



19986

**NOTE: The water features do not include anchoring, pump, control panel nor suction system.**

## Water features accessories

### Base cover



#### DESCRIPTION

In polished AISI-316L stainless steel.

	Code	Standard Pack	Standard weight in kg	Standard volume in m <sup>3</sup>
Ø 51 mm	19976	1	1.0	0.008

### Base cover



#### DESCRIPTION

In polished AISI-316L stainless steel.

	Code	Standard Pack	Standard weight in kg	Standard volume in m <sup>3</sup>
Ø 63 mm	19977	1	1.0	0.008

### Base cover



#### DESCRIPTION

In polished AISI-316L stainless steel.

	Code	Standard Pack	Standard weight in kg	Standard volume in m <sup>3</sup>
Ø 84 mm	19978	1	0.9	0.006

### Base cover



#### DESCRIPTION

In polished AISI-316L stainless steel.

	Code	Standard Pack	Standard weight in kg	Standard volume in m <sup>3</sup>
Ø 129 mm	19979	1	0.9	0.005

### Base cover



#### DESCRIPTION

In polished AISI-316L stainless steel.

	Code	Standard Pack	Standard weight in kg	Standard volume in m <sup>3</sup>
Ø 254 mm	19980	1	0.9	0.006



**NOTE: The water features do not include anchoring, pump, control panel nor suction system.**

## Water features accessories

### Base cover



	Code	Standard Pack	Standard weight in kg	Standard volume in m <sup>3</sup>
600 mm curtain. Matt finish	19981	1	1.22	0.008



### Base cover



	Code	Standard Pack	Standard weight in kg	Standard volume in m <sup>3</sup>
600 mm curtain. Painted	19982	1	1.28	0.008

### Control box - Manual



CE

	Code	Standard Pack	Standard weight in kg	Standard volume in m <sup>3</sup>
<b>Manual - control box</b>				
0.45 kW (0.5 HP) 400 V III	19988	1	0.7	0.005
1.1 kW (1.5 HP) 400 V III	19989	1	0.7	0.005
2.2 kW (3.0 HP) 400 V III	19990	1	0.7	0.005
2.65 kW (3.5 HP) 400 V III	19991	1	0.7	0.005

### Control box pneumatic switch



#### DESCRIPTION

Enables bathers to control water features from inside the pool. Includes control box, wall conduit, air pipe and pneumatic switch.

	Code	Standard Pack	Standard weight in kg	Standard volume in m <sup>3</sup>
<b>For concrete pool</b>				
2.2 kW (3.0 HP) 400 V III	07537	1	3.1	0.02
0.45 kW (0.5 HP) 400 V III	07669	1	3.1	0.02
1.1 kW (1.5 HP) 400 V III	17154	1	3.1	0.02
<b>For prefabricated pools</b>				
2.2 kW (3.0 HP) 400 V III	07867	1	3.2	0.02
0.45 kW (0.5 HP) 400 V III	07868	1	3.2	0.02
1.1 kW (1.5 HP) 400 V III	17155	1	3.2	0.02

All products must be installed at a depth of 30-40 cm. See the technical specifications on the following pages.

## Water games

- Water features help to create a leisure space where you can enjoy water activities in a fun, safe and physically active environment with your family.

### Hydra



#### DESCRIPTION

- Body of polyester reinforced with fiberglass.
- Outlet nozzles made of stainless steel AISI-304L.
- Hardware made of S.S. AISI-304L.

	Code	Standard Pack	Standard weight in kg	Standard volume in m <sup>3</sup>
Hydra	66450	1	-	-



### Crux



#### DESCRIPTION

- Body of polyester reinforced with fiberglass.
- Outlet nozzles are made of stainless steel AISI-304L and polyacetal.
- Hardware made of S.S. AISI-304L.

	Code	Standard Pack	Standard weight in kg	Standard volume in m <sup>3</sup>
Crux	66449	1	-	-



### Corvus



#### DESCRIPTION

- Body of polyester reinforced with fiberglass.
- Outlet nozzles made of polyacetal (POM).
- Hardware made of S.S. AISI-304L.

	Code	Standard Pack	Standard weight in kg	Standard volume in m <sup>3</sup>
Corvus	66451	1	-	-



All products must be installed at a depth of 30-40 cm. See the technical specifications on the following pages.

# Water games

## Rainbow Sunshade



### DESCRIPTION

- Bodywork in polyester reinforced with fibreglass. AISI-304L stainless steel shaft.
- Outlet nozzles made of stainless steel AISI-304L.
- Hardware made of S.S. AISI-304L.

	Code	Standard Pack	Standard weight in kg	Standard volume in m <sup>3</sup>
Rainbow Sunshade	66452	1	-	-



## Palm



### DESCRIPTION

- Shape made of polyester reinforced with fibreglass.
- Body made of stainless steel AISI-304L.
- Outlet nozzles made of polyacetal (POM).
- Hardware made of S.S. AISI-304L.

	Code	Standard Pack	Standard weight in kg	Standard volume in m <sup>3</sup>
Palm	66453	1	-	-



## Bow



### DESCRIPTION

- Body made of stainless steel AISI-304L.
- Polyacetal sprinklers.
- Hardware made of stainless steel.

	Code	Standard Pack	Standard weight in kg	Standard volume in m <sup>3</sup>
Bow	66456	1	-	-



All products must be installed at a depth of 30-40 cm. See the technical specifications on the following pages.

## Water games

### Lamppost



#### DESCRIPTION

- Baskets made of fibreglass.
- Body made of stainless steel AISI-304L.
- Outlet nozzles are made of stainless steel AISI-304L.
- Hardware made of stainless steel AISI-304L.

	Code	Standard Pack	Standard weight in kg	Standard volume in m <sup>3</sup>
Lamppost	66454	1	-	-

### Streetlight



#### DESCRIPTION

- Shape made of polyester reinforced with fiberglass.
- Body made of stainless steel AISI-304L.
- Outlet nozzles made of stainless steel AISI-304L.
- Hardware made of stainless steel AISI-304L.

	Code	Standard Pack	Standard weight in kg	Standard volume in m <sup>3</sup>
Streetlight	66455	1	-	-

### Rainbow Mini Slide



#### DESCRIPTION

- Slide made of polyester reinforced with fiberglass.
- Panels made of 20 mm high density polythene.
- Hardware made of stainless steel AISI-304L.

	Code	Standard Pack	Standard weight in kg	Standard volume in m <sup>3</sup>
Rainbow Mini Slide	66457	1	-	-

### Whale Mini Slide



#### DESCRIPTION

- Slide made of polyester reinforced with fiberglass.
- Panels made of 20 mm high density polythene.
- Hardware made of stainless steel AISI-304L.

	Code	Standard Pack	Standard weight in kg	Standard volume in m <sup>3</sup>
Whale Mini Slide	66458	1	-	-

# Water games



## Atlantic

### DESCRIPTION

- Slide made of polyester reinforced with fiberglass.
- Posts made of AISI-304L stainless steel, coated in polyester paint.
- High-density 15 mm polyethylene panels.
- Outlet nozzles are made of stainless steel AISI-304L and polyacetal.
- Hardware made of stainless steel AISI-304L.

	Code	Standard Pack	Standard weight in kg	Standard volume in m <sup>3</sup>
Atlantic	66459	1	-	-



This product must be installed at a depth of 30-40 cm.

## Active



### DESCRIPTION

- Slide made of polyester reinforced with fiberglass.
- Wooden posts.
- Panels made of 20 mm high density polythene.
- Handrail and fasteners made of AISI-304L stainless steel.
- Baseplates made of AISI-304L stainless steel.

	Code	Standard Pack	Standard weight in kg	Standard volume in m <sup>3</sup>
Active	66460	1	-	-



Article to be installed at poolside at a depth of at least 110 cm.

## Bubbles



### DESCRIPTION

- Slide made of polyester reinforced with fiberglass.
- Posts made of AISI-304L stainless steel, coated in polyester paint.
- High-density 15 mm polyethylene panels
- Outlet nozzles made of polyacetal (POM).
- Hardware made of stainless steel AISI-304L.

	Code	Standard Pack	Standard weight in kg	Standard volume in m <sup>3</sup>
Bubbles	66461	1	-	-



This product must be installed at a depth of 30-40 cm.



# Water games

## TECHNICAL FEATURES

Code	Name	Floor plan dimensions (cm)	Maximum height of water feature (cm)	Required flow rate (l/min)	Pressure (bar)
66450	Hydra	Ø 87	161.5	120	1
66449	Crux	130 x 50	140	130	1
66451	Corvus	60 x 60	163.5	47	1
66452	Sunshade Rainbow	Ø 160	289.5	400	1
66453	Palm	Ø 223	350	120	1
66456	Bow	320	160	70	1
66454	Lamppost	Ø 79	345	120	1
66455	Streetlight	Ø 198	360	360	1
66457	Rainbow Mini Slide	279 x 630	105	-	-
66458	Whale Mini Slide	276 x 660	101	-	-
66459	Atlantic	331 x 108	412	850	1
66460	Active	575 x 423	275	48	1
66461	Bubbles	660 x 582	375	400	1



## Wave Splash bucket



### DESCRIPTION

Designed and manufactured according to the standards EN-1176. It has nozzles embedded and rotating parts that avoid grips and entrapments in order to ensure maximum safety.

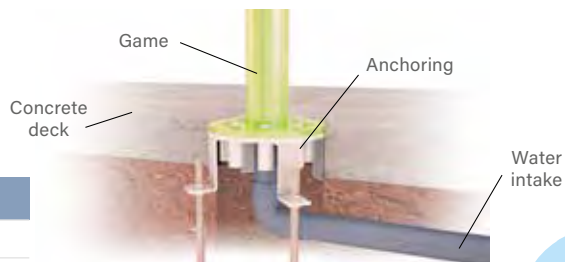
Used materials:

- Aisi-304L stainless steel painted with powder coating of polyester, matt finish and treaty against the heat.
- Drive nozzles made of synthetic polymer POM.
- AISI-304L stainless steel hardware vandal-proof.
- Feet protection to prevent children from damage.

	Code	Standard Pack	Standard weight in kg	Standard volume in m <sup>3</sup>
Wave Splash bucket	IS-30A47	1	-	-

### How is it installed ?

It is necessary to soak it into the concrete anchor and connect it to a water intake.



### TECHNICAL FEATURES

Code	IS-30A47
Measurements	195 X 140 X 455 cm
Age range	4 - 15 years
Users	8 users
Water outlets	1 unit
Pool depth	From 0 to 35 cm
Pressure	105 Pa
Water flow	200 lpm



### READY FOR FUN?

It is a game whose main feature is the surprise factor. Children do not know when the cube is filled and overturn on them all the water it contains. It is specially designed for older children or young people.

# AstralPool Bike

## AstralPool Bike



### DESCRIPTION

Aquabike made of square and rectangular polished AISI-316L stainless steel pipe. Ideal for gyms, wellness centres, spas, medical facilities, hotels and private pools.

- Made of AISI-316L stainless steel.
- Adjustable height of saddle and handlebar.
- For use in public and residential pools from 1 to 1.5 metres in depth.
- Ergonomic.
- Pedals made of PUR.
- Easy to move about.

	Code	Standard Pack	Standard weight in kg	Standard volume in m <sup>3</sup>
AstralPool Bike	67333	1	20	0.12



### GENERAL NOTE FOR ALL MODELS

Made of PP stabilized against UV rays. The whole range comes in white. Ask your dealer about other colours.

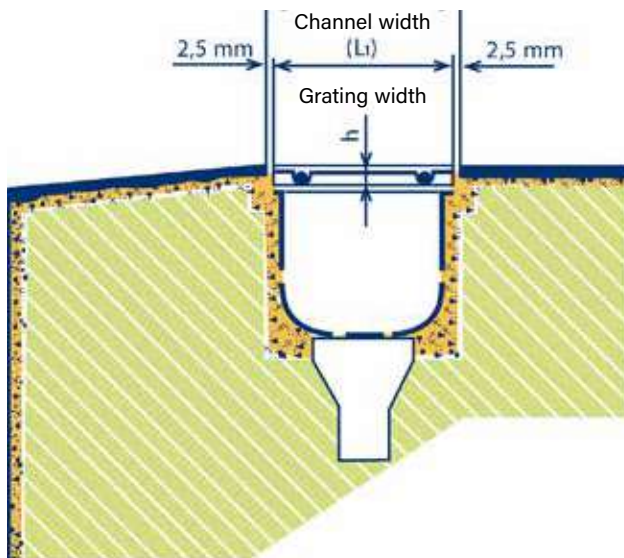
Made up of tiles in modules for straight and curved sections (outer radius of 1 or 2 m), they click into place (male-female fitting), which gives certain leeway in assembling them, as well as absorbing their potential expansion due to the temperature changes to which they are exposed.

For all models of grating, a channel 5 mm wider than the grating must be built so that it easily fits into place and any potential expansion is prevented.

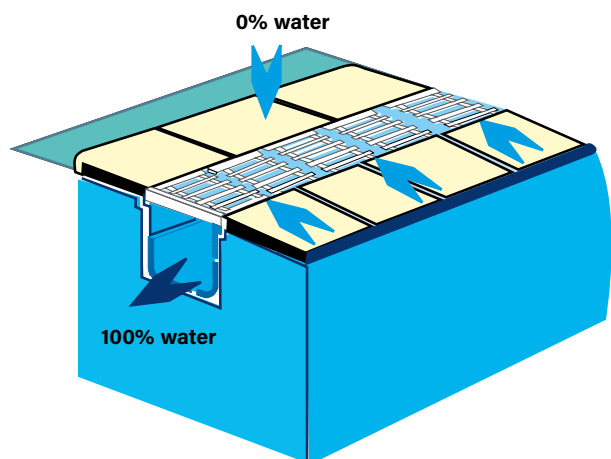
Channel width	Grating width
200.....	195
250.....	245
300.....	295
350.....	345

The height (h) of the grating varies depending on the model.

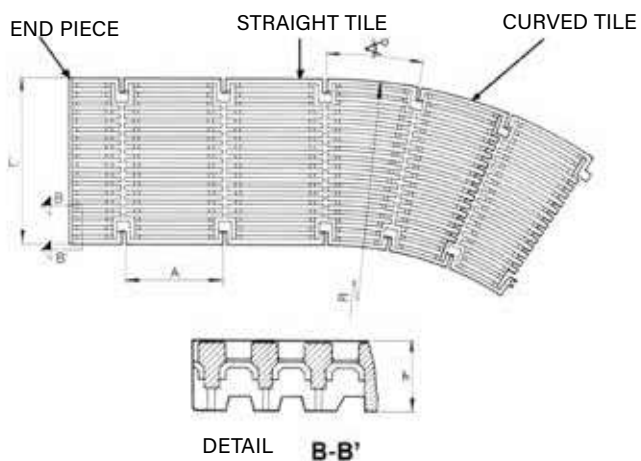
- Longitudinal model h = 24 mm
- Transversal model h = 22 mm and h = 35 mm



### LONGITUDINAL MODEL



The longitudinal design of this model ensures that any excess water from the pool is not allowed to overflow onto the pool deck, thus maintaining it practically dry.



	Model	L	L1	h	A	⊘ r.1m.	⊘ r.2m.
STRAIGHT TILE	05581	200	195	24	206	-	-
	05582	250	245	24	206	-	-
	05583	300	295	24	206	-	-
	05584	350	345	24	206	-	-
END PIECE	06420	200	195	24	-	-	-
	06421	250	245	24	-	-	-
	06422	300	295	24	-	-	-
	06423	350	345	24	-	-	-
CURVED TILE	08001	200	195	24	-	x	
	08002	300	295	24	-	x	
	07565	250	245	24	-	x	
	07566	350	345	24	-	x	
	05585	200	195	24	-		x
	05586	250	245	24	-		x

Other grating colours can be made to order. For further information, ask your AstralPool dealer.

## Longitudinal grating tile

### DESCRIPTION

Made of PP stabilized against UV rays. Grating fastened together using male-female hooks (5 units = 1,024 meters). The flexible properties of the grating means a radius of up to 5 m can be covered.

	Code	Standard Pack	Standard weight in kg	Standard volume in m <sup>3</sup>
Height 24 mm, width 195 mm	05581	45	16.2	0.080
Height 24 mm, width 245 mm	05582	29	13.4	0.080
Height 24 mm, width 291 mm	05583	28	15.6	0.080
Height 24 mm, width 345 mm	05584	19	13.2	0.080



## Curved grating tile

### DESCRIPTION

Made of PP stabilized against UV rays. Grating fastened together using male-female hooks.

Height	L	L1	Radius	Code	Standard Pack	Standard weight in kg	Standard volume in m <sup>3</sup>
24 mm	200 mm	195 mm	1 m	08001	60	17.2	0.079
24 mm	300 mm	295 mm	1 m	08002	32	14.6	0.079
24 mm	250 mm	245 mm	1 m	07565	42	17.2	0.079
24 mm	350 mm	345 mm	1 m	07566	24	13.4	0.079
24 mm	200 mm	195 mm	2 m	05585	48	17.2	0.079
24 mm	250 mm	245 mm	2 m	05586	30	14.2	0.079



## End piece kit for parallel grating

### DESCRIPTION

Made of AISI-304L stainless steel plate, with end piece and longitudinal grating made of PP stabilized against UV rays. Made so that the grating in the end piece can be cut to fit in place.

	Code	Standard Pack	Standard weight in kg	Standard volume in m <sup>3</sup>
Height 24 mm, width 195 mm	16064	15	5.11	0.002
Height 24 mm, width 245 mm	16065	12	5.17	0.002
Height 24 mm, width 291 mm	16066	8	4.21	0.002
Height 24 mm, width 345 mm	16067	8	5.00	0.002



## Perimeter grating

### DESCRIPTION

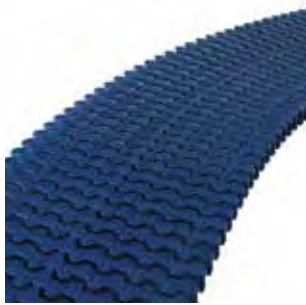
Range of overflow grating for swimming pools. Made of homopolymer polypropylene, with additives for UV protection. Available in 500 mm long modules with male-female hooks for easy and fast assembly.

	Code	Standard Pack	Standard weight in kg	Standard volume in m <sup>3</sup>
0.5 m longitudinal grating Height 22 mm Width 195 mm	28664	20	19.9	0.080



GRILLES FOR OVERFLOW

# Modular transversal grating for curves



Other grating colours can be made to order. For further information, ask your AstralPool dealer.

## DESCRIPTION

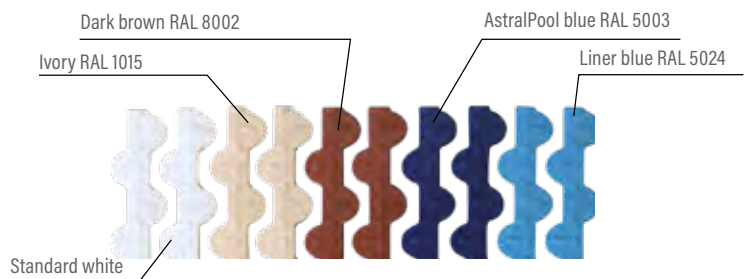
Made of PP stabilized against UV rays. Assembled by fitting the modules together. Available in 5 colours. Other grating colours can be made to order. For further information, please contact your AstralPool dealer.

	Code	Standard Pack	Standard weight in kg	Standard volume in m <sup>3</sup>
<b>Modular grating for curves</b>				
Height 22 mm, width 195 mm	34190	470	14.1	0.08
Height 22 mm, width 245 mm	34191	320	12.4	0.08
Height 22 mm, width 295 mm	34192	300	15.0	0.08
Height 22 mm, width 335 mm	34193	250	15.0	0.08
<b>Reversible modular grating for curves</b>				
Height 35 mm, width 195 mm	34194	450	16.0	0.08
Height 35 mm, width 245 mm	34195	300	13.7	0.08
Height 35 mm, width 295 mm	34196	290	17.3	0.08
Height 35 mm, width 335 mm	34197	250	17.4	0.08

Note: Colours in the pictures are not exactly the same as in real product.

## TECHNICAL FEATURES

Colour	Code
White	-
RAL 1015	CL90
RAL 8002	CL109
RAL 5003	CL60
RAL 5024	CL 108



Other grating colours can be made to order. For further information, ask your AstralPool dealer.

# Transversal grating for curves



## DESCRIPTION

Modular transversal grating for curves. Made of PP stabilized against UV rays. Assembled by fitting the modules together. Class 3 slip resistance (Rd>45) pursuant to UNE-ENV 12633: 2003.

	Code	Standard Pack	Standard weight in kg	Standard volume in m <sup>3</sup>
<b>Modular grating for curves</b>				
Height 22 mm, width 195 mm	52535	470	14.1	0.08
Height 22 mm, width 245 mm	52536	320	12.4	0.08
Height 22 mm, width 295 mm	52537	300	15.0	0.08
Height 22 mm, width 335 mm	52538	250	15.0	0.08
<b>Reversible modular grating for curves</b>				
Height 35 mm, width 195 mm	52539	450	16.0	0.08
Height 35 mm, width 245 mm	52540	300	13.7	0.08
Height 35 mm, width 295 mm	52541	290	17.3	0.08
Height 35 mm, width 335 mm	52542	250	17.4	0.08

Other grating colours can be made to order. For further information, ask your AstralPool dealer.

## Modular transversal grating for curves

### DESCRIPTION

Made of PP stabilized against UV rays. Assembled by fitting the modules together.

	Code	Standard Pack	Standard weight in kg	Standard volume in m <sup>3</sup>
<b>Modular grating for curves</b>				
Height 22 mm, width 195 mm	11107	470	15.8	0.080
Height 22 mm, width 245 mm	11108	320	13.6	0.080
Height 22 mm, width 295 mm	19202	300	18.0	0.080
Height 22 mm, width 335 mm	19203	250	17.0	0.080
<b>Reversible modular grating for curves</b>				
Height 35 mm, width 195 mm	00220	450	16.5	0.080
Height 35 mm, width 245 mm	00221	300	14.3	0.080
Height 35 mm, width 295 mm	00222	290	19.3	0.080
Height 35 mm, width 335 mm	00223	250	18.1	0.080



## Modular grating for curves

### DESCRIPTION

Made of PP stabilized against UV rays. Assembled by fitting the modules together. Non-slip surface. Other colours available on request. For further information, please contact your AstralPool dealer. Compliant with standard EN-13451-1 (8 mm). Class 3 slip resistance (Rd>45) pursuant to UNE-ENV 12633: 2003.

	Code	Standard Pack	Standard weight in kg	Standard volume in m <sup>3</sup>
<b>Modular grating for curves</b>				
Height 22 mm, width 195 mm	28656	470	20.84	0.082
Height 22 mm, width 245 mm	28657	320	18.80	0.082
Height 22 mm, width 295 mm	28658*	300	18.80	0.082
Height 22 mm, width 335 mm	28659*	250	20.84	0.082
<b>Reversible modular grating for curves</b>				
Height 35 mm, width 195 mm	28660	450	26.90	0.082
Height 35 mm, width 245 mm	28661	300	24.70	0.082
Height 35 mm, width 295 mm	28662*	290	26.61	0.082
Height 35 mm, width 335 mm	28663*	250	22.25	0.082



\* In testing process.

## Transversal grating

### DESCRIPTION

Made of PP stabilized against UV rays. Fastened together by a pass-through cable (49 units per metre).

	Code	Standard Pack	Standard weight in kg	Standard volume in m <sup>3</sup>
Height 22 mm, width 195 mm	00212	340	11.9	0.039
Height 22 mm, width 245 mm	00213	305	13.2	0.039



GRILLES FOR OVERFLOW

## Stainless steel plastic coated cable



### DESCRIPTION

Ø 2.5 mm for fastening modules together.

	Code	Standard Pack	Standard weight in kg	Standard volume in m <sup>3</sup>
Stainless steel plastic coated cable	00214	1000 m	21.0	0.036

## AISI-316L stainless steel plastic coated cable



### DESCRIPTION

Ø 2.5 mm for fastening modules together.

	Code	Standard Pack	Standard weight in kg	Standard volume in m <sup>3</sup>
AISI-316L stainless steel plastic coated cable	00215	1000 m	21.0	0.036

## Cable locking pins

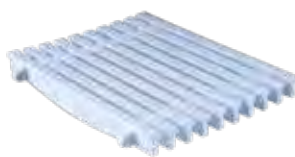


### DESCRIPTION

Made of brass.

	Code	Standard Pack	Standard weight in kg	Standard volume in m <sup>3</sup>
Cable locking pins	00216	100	1.5	0.001

## Transversal grating tile



### DESCRIPTION

Made of PP stabilized against UV rays. Tiles fitted together using a snap fastening system (5 units = 0.975 m).

	Code	Standard Pack	Standard weight in kg	Standard volume in m <sup>3</sup>
Height 22 mm, width 245 mm	00217	52	22.8	0.080
Height 22 mm, width 295 mm	00218	45	23.1	0.080
Height 22 mm, width 335 mm	00219	38	22.0	0.080

Other grating colours can be made to order. For further information, ask your AstralPool dealer.

## Grating support profile



### DESCRIPTION

Suitable for grating heights of 22, 24 and 35 mm. Made of weather resistant plastic. Supplied in 2 m strips.

Inside measurements: 24 mm x 37 mm.

Available in other colours. For further information, ask your dealer.

	Code	Standard Pack	Standard weight in kg	Standard volume in m <sup>3</sup>
Grating support profile	00224	25	13.2	0.033



GRILLES FOR OVERFLOW

# 90° corner tiles for overflow channels



Other grating colours can be made to order. For further information, ask your AstralPool dealer.

## DESCRIPTION

Made of white, injection moulded copolymer polypropylene.

	Code	Standard Pack	Standard weight in kg	Standard volume in m <sup>3</sup>
Height 22 mm, channel width 195 mm	22379	4	2.8	0.006
Height 22 mm, channel width 245 mm	22380	4	3.6	0.009
Height 22 mm, channel width 295 mm	22381	4	4.8	0.012
Height 22 mm, channel width 335 mm	22382	4	5.7	0.016
Height 35 mm, channel width 195 mm	22383	4	3.2	0.009
Height 35 mm, channel width 245 mm	22384	4	4.1	0.014
Height 35 mm, channel width 295 mm	22385	4	5.3	0.012
Height 35 mm, channel width 335 mm	22386	4	6.2	0.023



# Stainless steel longitudinal grating



## DESCRIPTION

Longitudinal grating made of stainless steel. A channel 5 mm wider than the grating must be dug so that it is easy to fit.

It is made up of straight sections of AISI-316L stainless steel, 500 mm in length. Straight sections can be made to measure in order to fit the length of any pool.

There are 4 different models depending on the grating used. Height 35 mm.



Complies with Standard EN 13451-1:3



Complies with Standards EN 16582-1 EN 16713-2

	Code	Standard Pack	Standard weight in kg	Standard volume in m <sup>3</sup>
<b>In stainless steel</b>				
195 mm longitudinal grating	32415	-	-	-
245 mm longitudinal grating	32416	-	-	-
295 mm longitudinal grating	32417	-	-	-
345 mm longitudinal grating	32418	-	-	-



# Stainless steel reinforced grating



## DESCRIPTION

AISI-316L stainless steel grating, compliant with standard EN: 1345-1:2000. Resistant to salt water. Intended for use in both residential and public pools.



	Code	Standard Pack	Standard weight in kg	Standard volume in m <sup>3</sup>
Reinforced 252 x 252 mm grating	70956	1	-	-
Reinforced 410 x 410 mm grating	70957	1	-	-



Complies with Standard EN 1345-1:2000





