

POOL SHELL EQUIPMENT



87	POOL SHELL MATERIAL COLOR RANGE	119	LINER AND PREFABRICATED POOL
89	SKIMMER UNIK	119	15 L Skimmers
89	25 L Skimmers	122	17.5 L Skimmers
90	CONCRETE POOL	127	Skimmer accessories
90	15 L Skimmers	128	17.5 L Stainless Steel Skimmers
91	17.5 L Skimmers	128	Stainless Steel Skimmer accessories
95	Skimmer accessories	129	Main drains
97	Stainless Steel 17.5 L Skimmers	135	Main drains accessories
100	Stainless Steel Skimmer accessories	136	Level regulators
101	Level regulators	137	Inlets
102	Main Drains	145	Stainless Steel Inlets
108	Main Drains accessories	147	Stainless Steel Embellishers for ABS
108	Main drain grilles	148	Wall bushings
111	Inlets	149	Floating skimmer
116	Stainless Steel Inlets	150	Interchangeable accessories
118	Wall bushings	151	INSTALLATION DIAGRAMS
118	Winter accessories		

SKIMMER UNIK DESIGNED PERFECTLY. INTEGRATED EVENLY.



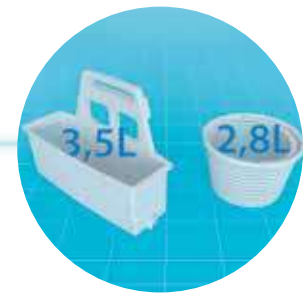
FULLY INTEGRATED.

Skimmer Unik blends harmoniously into the surroundings of the pool thanks to its fully integrated top cover. Thanks to its lower height of water level from pool floor -5.5 cm- Skimmer Unik offers an infinite pool effect.



QUIET OPERATION.

Skimmer Unik brings improved silent operation thanks to its exclusive curved floater solution.



EASY MAINTENANCE.

Skimmer Unik eases the maintenance thanks to its larger basket capacity (3.5L)* and its easy retrieval without touching the water.

*Versus AstralPool traditional skimmer basket.

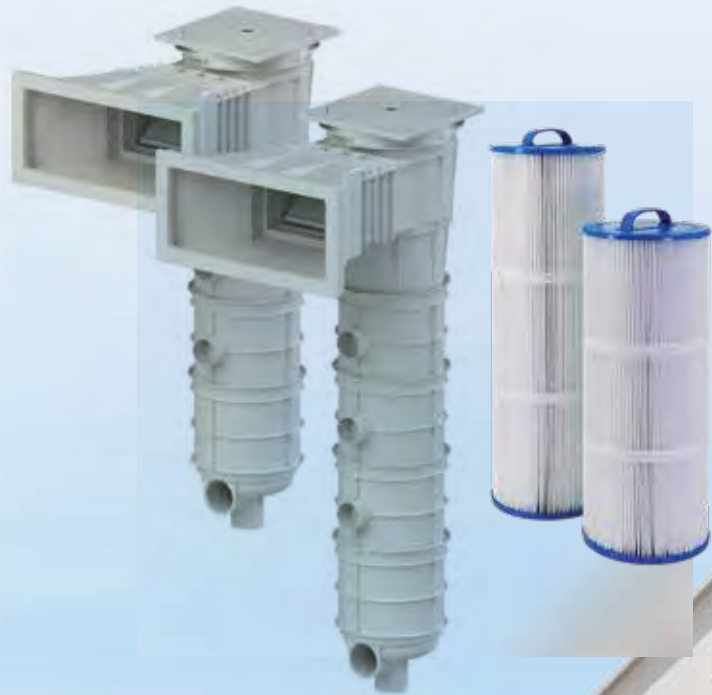
FILTERING SKIMMER

THE EASY TO INSTALL 2-IN-1 SOLUTION

Easy and fast installation : The installation of this integrated solution (skimmer + cartridge) means that the installer will save a lot of time when building a pool and it significantly reduces labor costs.

Two-in-one skimmer and filter solution :

1. The skimmer drains the water and retains any debris.
2. The water is then filtered by the integrated cartridge of 15 microns that delivers unbeatable filtration quality. Once the water is clean, it is sucked by the pump and sent back to the pool. See our pump recommendations at the bottom of this page.



SKIMMER & CARTRIDGE

1. EASYCOLOR SHEATH

→ The color change is proposed with an inlet sheath, both the embellisher and the floater. This sheath could be installed without changing the skimmer mouth what is very practical to renew or upgrade pools.

2. OPTIMUM FILTRATION & EASY TO REPLACE

→ **Optimum filtration quality : 15 microns.**
In addition, the skimmer's cartridges are easy to change.

3. SAFE AND INTEGRATED

→ Possibility to have side suction nozzle inlets, as well as an upper mouth, in order to avoid blockages and ensure that the pump always sucks filtered water.

4. WHICH SKIMMER TO CHOOSE?

	30 m ³	40 m ³	50 m ³	60 m ³	70 m ³	80 m ³
CARTRIDGE	16 m ³			20 m ³		
ASTRALPOOL PUMP RECOMMENDED	Ref. 25465 Sena 1HP (11.5 m ³ /h @ 10 m.H ₂ O)			Ref. 25467 Sena 1.25 HP (14 m ³ /h @ 10 m.H ₂ O)		

STAINLESS STEEL POOL FITTINGS

A FULL RANGE FOR CONSTRUCTION

Using stainless steel in AISI 316-L pools has many advantages in comparison with traditional materials.

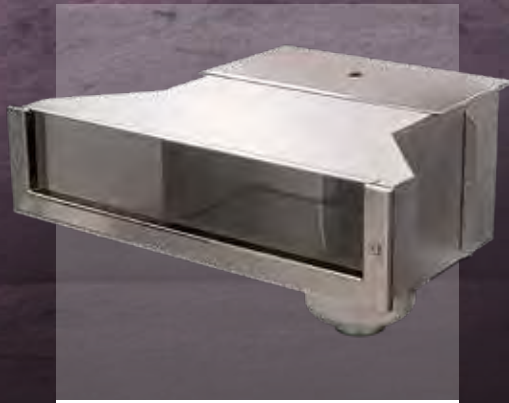
- ✓ Better resistance to high and low temperatures, no deformation.
- ✓ Better looking quality finishes.
- ✓ Doesn't age due to exposure to sunlight.
- ✓ Easy to clean.
- ✓ Stainless Steel is environmentally friendly and 100% recyclable.



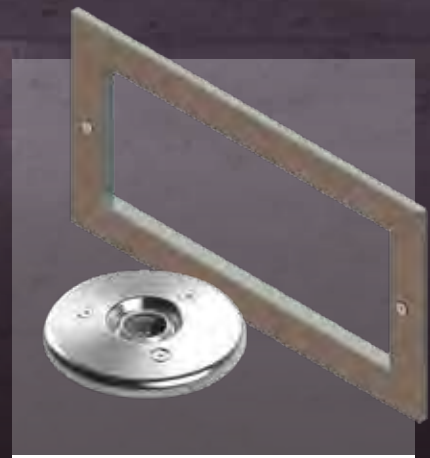
This is why AstralPool, a world leader in the manufacture and supply of pool materials, is launching a line of embedding products in high quality stainless steel (AISI 316-L), ideal for the construction, refurbishment and upgrade of your pool.



LumiPlus FlexiNiche



**High Water Level
Skimmer**



**Embellishers to ABS
pool fits**

Color range



Summary of the standard pool fits that exist in color version: Beige, Light Grey, Anthracite grey

Family		Descriptions	Concrete pool	Colors	Page	Liner and Prefabricated pool	Colors	Page	
Skimmer	15L	Skimmer 15L STD - opening	00249CLXXX		90				
		Skimmer 15L - with wide mouth opening	00251CLXXX		90	34413CLXXX		120	
	17.5L	Skimmer Norm - with inserts					56176CLXXX		123
		Skimmer Norm - without inserts	58707CLXXX		91	56299CLXXX		123	
		Skimmer 17.5L - with standard mouth opening, square cover					11309CLXXX		124
		Skimmer 17.5L - with standard mouth opening, 6° for polyester pool, round cover					68108CLXXX		124
		Skimmer 17.5L - with standard opening					11310CLXXX		125
		Skimmer 17.5L with wide mouth opening					11311CLXXX		125
		Skimmer 17.5L - with wide mouth opening for parker model					11317CLXXX		125
	25L	Skimmer Unik		Several codes		89	Several codes		89
Main drain		Norm main drain	56378CLXXX		103	56380CLXXX		130	
		Norm main drain - Antivortex grating	56379CLXXX		103	56382CLXXX		130	
		Norm main drain - without inserts				56381CLXXX		130	
		Norm main drain - ithout inserts Antivortex grating				56383CLXXX		130	
		Round main drain 2" outlet				00271CLXXX		132	
		Round main drain 2" outlet - without inserts	01467CLXXX		103	06474CLXXX		132	
	Nozzles	Impulsion	Multiflow return inlet	00295CLXXX		112	00330CLXXX		137
Multiflow return inlet			00298CLXXX		112	00334CLXXX		138	
Multiflow return inlet						17383CLXXX		138	
Norm return inlet						56499CLXXX		137	
Norm return inlet						56500CLXXX		137	
Suction Pool Floor		Suction nozzle	00300CLXXX		114	17382CLXXX		142	
		Suction nozzle 2"				00332CLXXX		141	
						00336CLXXX		142	
Pool Floor		Pool floor return inlet	00303CLXXX		113	00340CLXXX		140	
		Pool floor return inlet with swivel joint	22353CLXXX		113			113	
Lateral nozzle	Lateral nozzle polyester pool				74121CLXXX		142		
Hydromassage kits		Length wall conduit 190 mm	32113CLXXX		115	31443CLXXX ⁽¹⁾		115	
		lenght wall conduit 280 / 275 mm	32370CLXXX		115	32371CLXXX ⁽¹⁾		115	
		Length wall conduit 190 mm				32114CLXXX ⁽²⁾ 32115CLXXX ⁽³⁾		142	
		Length wall conduit 275 mm				32384CLXXX ⁽²⁾ 32385CLXXX ⁽³⁾		142	
	Net & clean	Nozzles				65234CLXXX*		361	
Lighting	LumiPlus Flexi	Decorative ring FlexiNiche	71209CLXXX				416		
		Decorative ring FlexiSlim	71210CLXXX				416		
		Decorative ring FlexiRapid	71211CLXXX				416		
	LumiPlus FlexiMini	Decorative ring for Niches	74392CLXXX				419		
		Decorative ring for Nozzles L	74393CLXXX				419		
		Decorative ring for Nozzles S	74394CLXXX				419		
		Decorative ring for Pipes	74395CLXXX				419		

* Only for concrete and prefabricated pools.

- (1) Concrete with liner
- (2) pref. with polyester
- (3) pref. with liner

XXXXXCL090 Beige XXXXCL129 Light Grey XXXXXCL144 Anthracite Grey

Skimmers 25 L



Répond aux normes
EN 16582-1
EN 16713-2

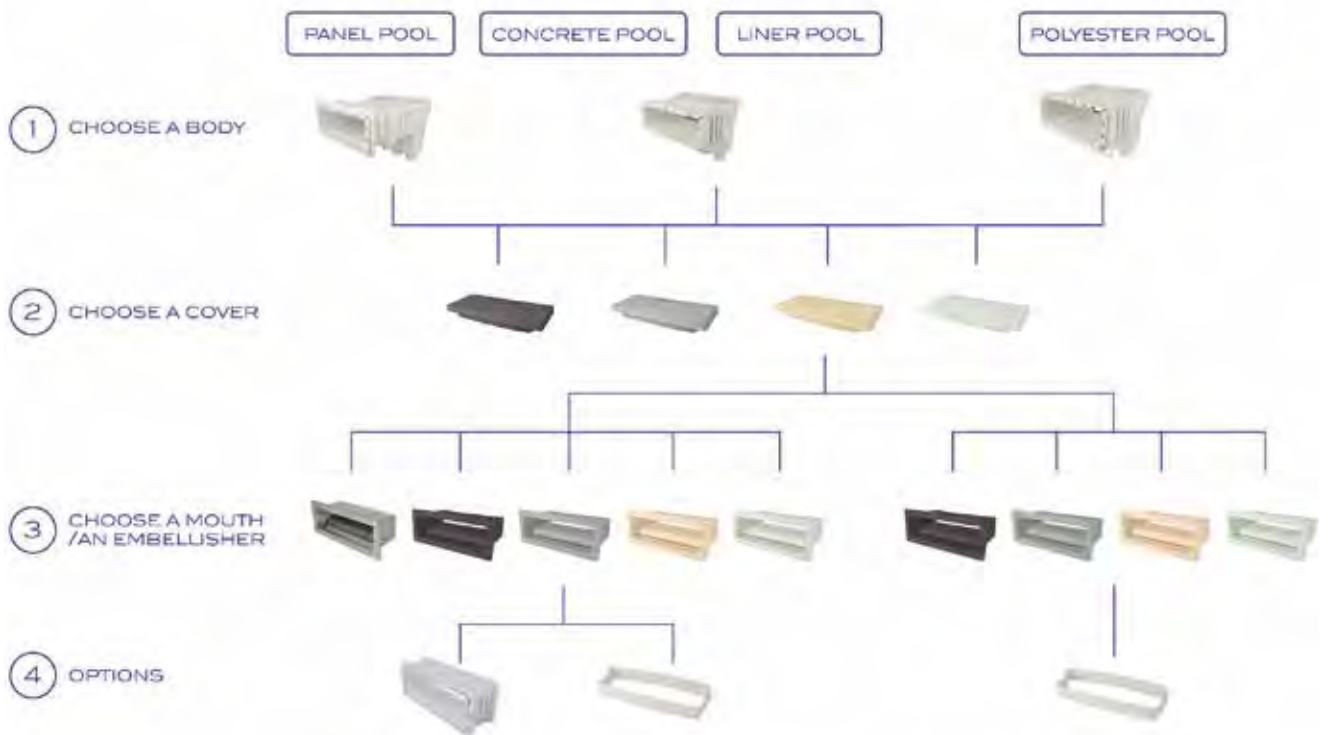


Skimmer Unik

DESIGNED PERFECTLY. INTEGRATED EVENLY

- + Fully integrated.
- + Quiet operation.
- + Easy maintenance.

SELECTION TABLE



INSTALLATION

How to install skimmer mouth?



How to integrate cover in the pool surround material?



How to assemble skimmer UNIK?

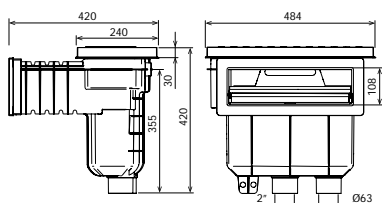


How to glue panels version?

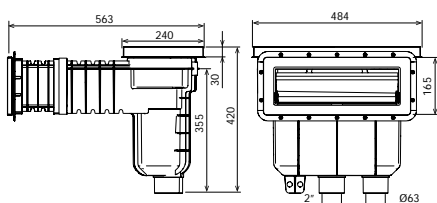


DIMENSIONS OF THE KITS

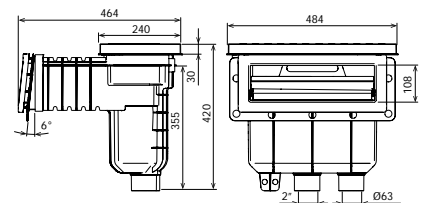
74457 - 74458 - 74459 - 74460



74461 - 74462



74463 - 74464



25 L Skimmers

Skimmer Unik

components to install a Skimmer Unik



Complies with Standards
EN 16582-1
EN 16713-2

The skimmer Unik is a solution that allows maximum flexibility in terms of colors of the visible parts.
Choose amongst the components according to your requirements.

1	Skimmer body - ABS white color		Code
	Skimmer body CONCRETE POOL WITHOUT INSERTS		74830
	Skimmer body CONCRETE POOL WITH INSERTS		74831
	Skimmer body LINER POOL WITHOUT INSERTS*		74832
	Skimmer body LINER POOL WITH INSERTS*		74833
	Skimmer body PANEL POOL WITHOUT INSERTS		74834
	Skimmer body PANEL POOL WITH INSERTS		74835
	Skimmer body POLYESTER POOL 6° WITHOUT INSERTS		74836
	Skimmer body POLYESTER POOL 6° WITH INSERTS		74837

* Delivered with 2 sets of screws DIN 7982 A4 5.5x25 and 32

2	Skimmer covers - ABS		Code
	Skimmer cover WHITE		74838
	Skimmer cover BEIGE		74838CL090
	Skimmer cover GREY		74838CL129
	Skimmer cover ANTHRACITE		74838CL144

3	Skimmer mouth / embellisher		Code
	3.1 - FOR CONCRETE LINER AND PANEL POOLS		
	Standard ABS WHITE		74839
	Standard ABS BEIGE		74839CL090
	Standard ABS GREY		74839CL129
	Standard ABS ANTHRACITE		74839CL144
	Standard STAINLESS STEEL A316-L		74806
	3.2 - FOR POLYESTER POOLS		
	6° Mouth - WHITE		74840
	6° Mouth - BEIGE		74840CL090
	6° Mouth - GREY		74840CL129
	6° Mouth - ANTHRACITE		74840CL144

Kit Skimmer UNIK ABS color white: Body + Cover + Embellisher		Code
	Skimmer UNIK CONCRETE POOL WITHOUT INSERTS	74457
	Skimmer UNIK CONCRETE POOL WITH INSERTS	74458
	Skimmer UNIK LINER POOL WITHOUT INSERTS	74459
	Skimmer UNIK LINER POOL WITH INSERTS	74460
	Skimmer UNIK PANEL POOL WITHOUT INSERTS	74461
	Skimmer UNIK PANEL POOL WITH INSERTS	74462
	Skimmer UNIK POLYESTER POOL 6° WITHOUT INSERTS	74463
	Skimmer UNIK POLYESTER POOL 6° WITH INSERTS	74464

Skimmer Options - valid for the skimmers parts sold separately or the full sets		Code
	EXTENDED Mouth Standard WITHOUT INSERTS	74841
	EXTENDED Mouth Standard WITH INSERTS	74842
	EXTENDED Mouth POLYESTER POOL 6° WITHOUT INSERTS	74843
	EXTENDED Mouth POLYESTER POOL 6° WITH INSERTS	74844
	COVER EXTENSION RING	74845

Concrete pool - 15 L Skimmers

- All of the components that are exposed in this range of skimmers come with a UV treatment. Made of ABS, they come with a weir flap and a flow regulator check valve. Bottom suction nozzle connection: 1½" inner thread, 2" outer thread.
- Simultaneous connection to the main drain: Ø 50 mm inner wall. Overflow connection: Ø 40 mm. Leaf trap. Recommended flow rate: 5 m²/h.
- It is recommended that one skimmer be installed for every 25 m² of water surface area.

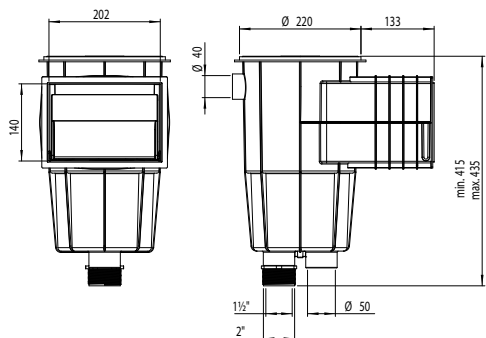


Complies with Standards
EN 16582-1
EN 16713-2

Skimmer with standard mouth opening



	Code	Standard Pack	Standard weight in kg	Standard volume in m ³
With round lid - White	00249	1	2.95	0.059
With round lid - Beige	00249CL090	1	2.95	0.059
With round lid - Light grey	00249CL129	1	2.95	0.059
With round lid - Anthracite grey	00249CL144	1	2.95	0.059
With square lid	00250	1	3.15	0.059

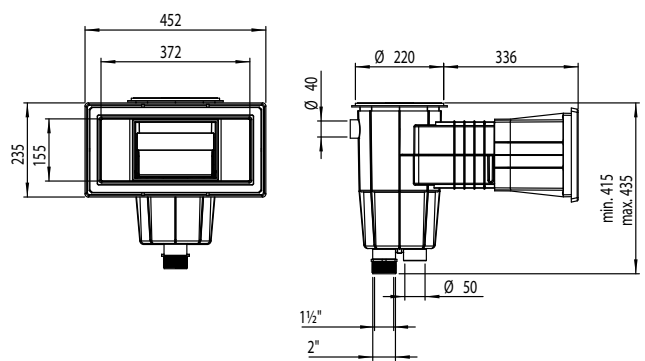


Skimmer with wide mouth opening



Complies with Standards
EN 16582-1
EN 16713-2

	Code	Standard Pack	Standard weight in kg	Standard volume in m ³
With round lid - White	00251	1	4.47	0.12
With round lid - Beige	00251CL090	1	4.47	0.12
With round lid - Light grey	00251CL129	1	4.47	0.12
With round lid - Anthracite grey	00251CL144	1	4.47	0.12
With square lid	00252	1	3.00	0.12



Concrete pool - 17.5 L Skimmers

- All of the components that are exposed in this range of skimmers come with a UV treatment. Made of ABS, they come with a weir flap and a flow regulator check valve. Bottom suction nozzle connection: 1½" inner thread.
- Simultaneous connection to the main drain: 2" inner thread. Overflow connection: Ø 32 mm. Round cover with spring clip fastening system.
- The height of the cover can be adjusted and turned through an extended throat, so that it sits perfectly flush with the coping stone.
- Leaf trap secured to base by means of a bayonet mount. In-built weir flap housing. Recommended flow rate: 7.5 m³/h.
- It is recommended that one skimmer be installed for every 25 m² of water surface area.

NORM skimmer



DESCRIPTION

17L skimmer range suitable for installation in public and private pools. Manufactured in ABS with UV treatment, it comes with a weir flap, flow regulator, lid height adjustment and basket. The water inlet is 495 x 80 mm. Recommended flow rate of 7.5 m³/h. Install one skimmer every 25 m² of water line surface area. Connections under 1½" and 2", water overflow connection of Ø 40 mm.



58707



58707CL090



58707CL129

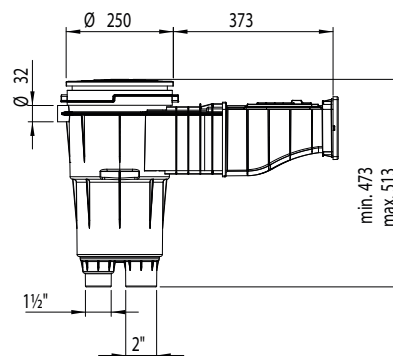
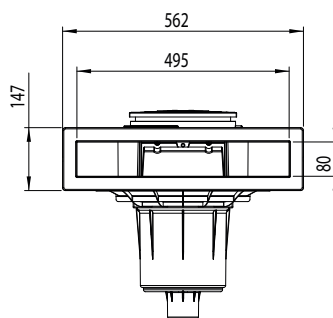


58707CL144



Complies with Standards
EN 16582-1
EN 16713-2

	Code	Standard Pack	Standard weight in kg	Standard volume in m³
NORM 17,5L skimmer				
White	58707	1	5.61	0.182
Beige	58707CL090	1	5.61	0.182
Light grey	58707CL129	1	5.61	0.182
Anthracite grey	58707CL144	1	5.61	0.182



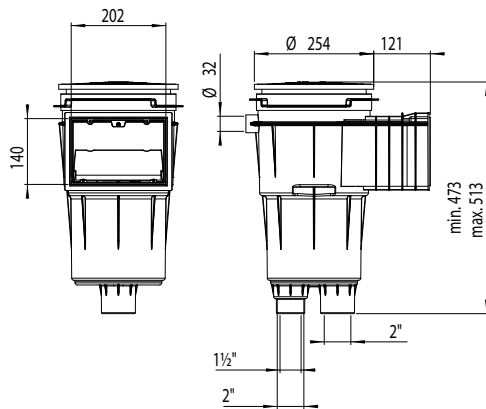
Concrete pool - 17.5 L Skimmers

Skimmer with standard mouth opening



Complies with Standards
EN 16582-1
EN 16713-2

	Code	Standard Pack	Standard weight in kg	Standard volume in m ³
With square lid	11306	1	4.20	0.062



Filtering Skimmer



73158

73161

DESCRIPTION

17.5 L skimmer with cartridge system integrated. Made of ABS with UV treatment. Incorporate gate, regulator lid height, skimmer basket and 2 cartridge filters. Upper access water connection Ø 32 m, bottom connections of Ø 63 mm and lateral of Ø 50 mm. Lateral connections are for connecting suction nozzles.

The color change is proposed with an inlet sheath, both the embellisher and the floater. This sheath could be installed without changing the skimmer mouth what is very practical to renew or upgrade pools.

	Code	Standard Pack	Standard weight in kg	Standard volume in m ³
Filtering skimmer - white				
Filtering skimmer with 2 cartridges 16 m ³	73158	1	12	0.32
Filtering skimmer with 2 cartridges 20 m ³	73161	1	13	0.32
EASYCOLOR - Inlet sheath*				
Light grey - inlet sheath	73166CL129	1	1.22	0.02
Anthracite - inlet sheath	73166CL144	1	1.22	0.02
Beige - inlet sheath	73166CL090	1	1.22	0.02
Cartridge				
Cartridge* 16 m ³ /h - 15 microns	73164	1	1.64	0.02
Cartridge* 20 m ³ /h - 15 microns	73165	1	2.24	0.026

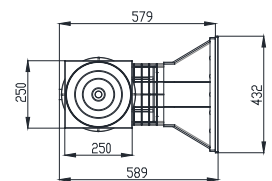
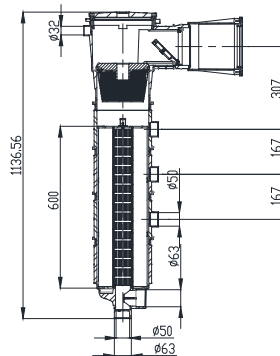
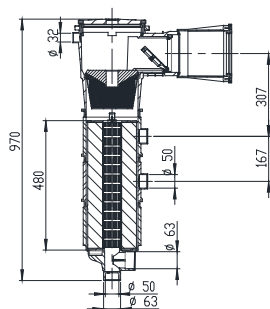


73166CL129



73166CL144

73166CL090



Complies with Standards
EN 16713-1



Complies with Standards
EN 16582-1
EN 16713-2

*2-year limited warranty - please refer to the instruction manual

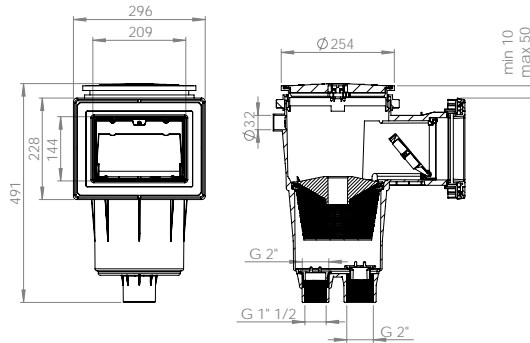
Concrete pool - 17.5 L Skimmers

Skimmer with standard opening and face plate



Complies with Standards
EN 16582-1
EN 16713-2

	Code	Standard Pack	Standard weight in kg	Standard volume in m ³
With square lid	11302	1	5.20	0.062

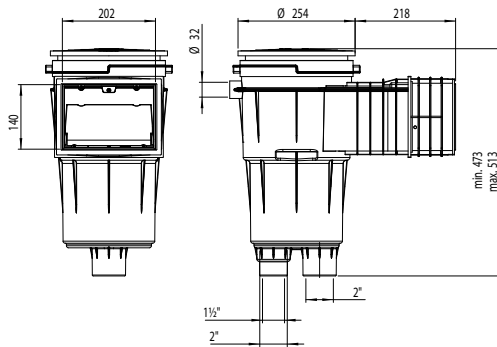


Skimmer with standard opening and extended throat



Complies with Standards
EN 16582-1
EN 16713-2

	Code	Standard Pack	Standard weight in kg	Standard volume in m ³
With square lid	11307	1	5.90	0.077

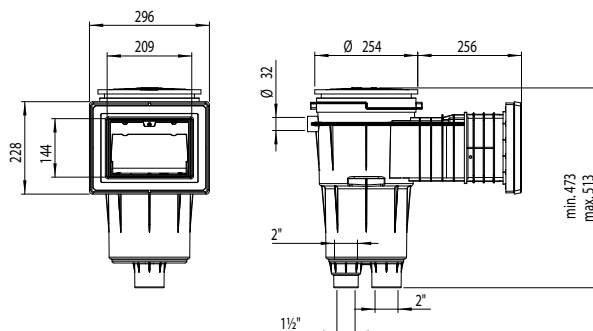


Skimmer with standard opening, extended throat and face plate



Complies with Standards
EN 16582-1
EN 16713-2

	Code	Standard Pack	Standard weight in kg	Standard volume in m ³
With square lid	11303	1	5.75	0.060



Concrete pool - 17.5 L Skimmers

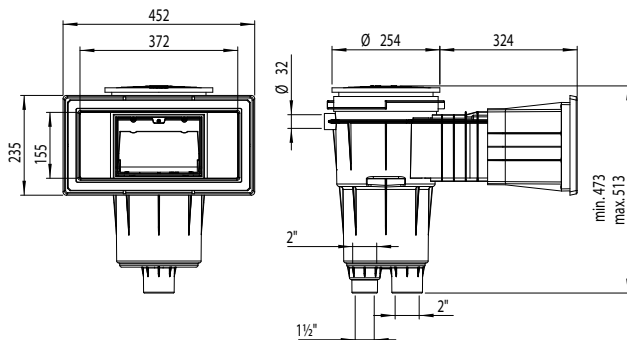


Skimmer with wide mouth opening



Complies with Standards
EN 16582-1
EN 16713-2

	Code	Standard Pack	Standard weight in kg	Standard volume in m ³
With square lid	11304	1	6.24	0.135

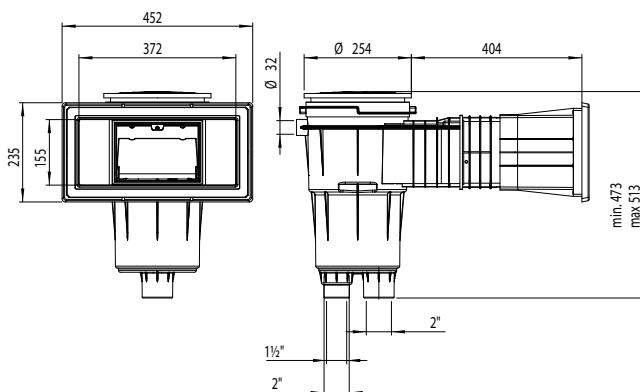


Complies with Standards
EN 16582-1
EN 16713-2

Skimmer with extended throat and wide opening



	Code	Standard Pack	Standard weight in kg	Standard volume in m ³
With square lid	11305	1	6.90	0.161



Concrete pool - Skimmer accessories

Covers for 15 l skimmers



	Code	Standard Pack	Standard weight in kg	Standard volume in m ³
Round cover, round face plate				
Beige	00249-0600CL090	23	7.9	0.069
Light grey	00249-0600CL129	23	7.9	0.069
Anthracite grey	00249-0600CL144	23	7.9	0.069
Round cover, square face plate				
Beige	00249-0700CL090*	13	6.9	0.069
Light grey	00249-0700CL129*	13	6.9	0.069
Anthracite grey	00249-0700CL144*	13	6.9	0.069

* Compatibles with level regulator 15862 for a color customization of the level regulator.

Covers for 17.5 l skimmers



	Code	Standard Pack	Standard weight in kg	Standard volume in m ³
Round cover, round face plate				
Beige	05280-0600CL090	15	8	0.069
Light grey	05280-0600CL129	15	8	0.069
Anthracite grey	05280-0600CL144	15	8	0.069
Round cover, square face plate				
Beige	05280-0700CL090	15	8	0.069
Light grey	05280-0700CL129	15	8	0.069
Anthracite grey	05280-0700CL144	15	8	0.069

EASYCOLOR - Inlet Sheath

for wide mouth skimmers



DESCRIPTION

The EASYCOLOR inlet sheath kit allows to change the color of the skimmers wide mouth items 00251, 00252, 11304 and 11305, both the embellisher and the floater. This sheath could be installed without change the skimmer mouth what is very practical to renew or upgrade pools. This kit includes inlet sheath, floater, flanges and embellisher.

	Code	Standard Pack	Standard weight in kg	Standard volume in m ³
Beige - inlet sheath	74035CL090	1	1.22	0.022
Light grey - inlet sheath	74035CL129	1	1.22	0.022
Anthracite grey - inlet sheath	74035CL144	1	1.22	0.022

Concrete pool - Skimmer accessories



15 l skimmer cover extension ring



DESCRIPTION

Additional extension ring to increase the distance between the 15 l skimmer and the lid. Additional distance of 25 mm. Made of ABS. The height can be increased by overlaying various connections. It can also be slightly tipped to be level with the ground.

	Code	Standard Pack	Standard weight in kg	Standard volume in m ³
	19919	17	4.08	0.069



17.5 l skimmer cover extension ring



DESCRIPTION

Additional ring for better adjusting and levelling the 17.5 l skimmer lid to the deck level. Additional distance of 20 mm. Made of white ABS. The height can be increased by overlaying various connections. It can also be slightly tipped to be level with the ground.

	Code	Standard Pack	Standard weight in kg	Standard volume in m ³
	18153	17	4.70	0.06



Floating weir assembly in ABS



DESCRIPTION

Complete with strainer basket in white ABS.

	Code	Standard Pack	Standard weight in kg	Standard volume in m ³
For 15 l skimmers	00253	12	20.5	0.207
For 17.5 l skimmers	05703	12	20.5	0.207



Prefilters for skimmer basket



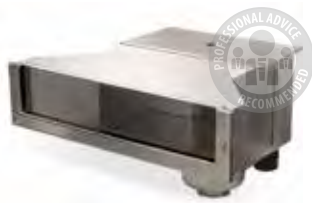
DESCRIPTION

Hygienic disposable prefilters for any type of skimmer (with baskets up to Ø 24 cm). They retain the waste that builds up in the skimmer basket. This protects the pump and the filter therefore performs better.

	Code	Standard Pack	Standard weight in kg	Standard volume in m ³
12 units per box	042745	12	0.40	0.006

Concrete pool - S.S. 17.5 L Skimmers

SLIM: High water level skimmer



DESCRIPTION

High water level skimmer allows high water level in the pool (+/- 4 cm) giving an infinite pool effect. The water line is located very close to the top of the pool. Entirely made of AISI-316L. All models are equipped with Ø50 mm overflow and have a housing to mount a water level regulator - item 73453 - not included. Also compatible with the most standard water levels of the market. With connection for equipotential connection. It also includes flanges for prefabricated pools. Recommended flow 7.5 m³/h. Basket capacity 1.2 L.



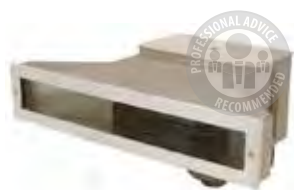
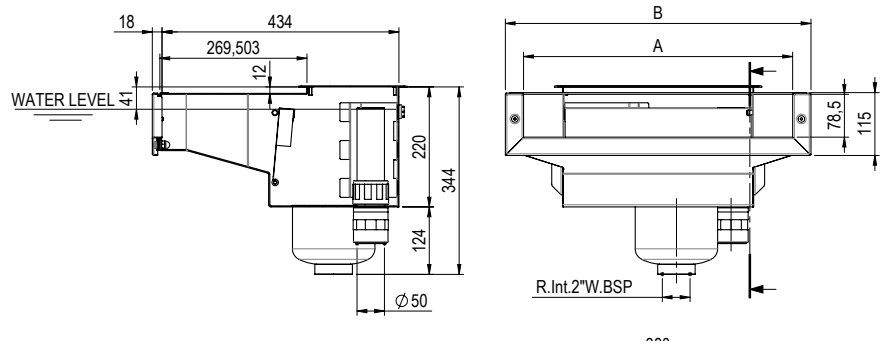
Complies with Standard EN 13451-1-3



Complies with Standards EN 16582-1 EN 16713-2



	Code	Standard Pack	Standard weight in kg	Standard volume in m ³
Mouth width 500 mm	73501	1	14.80	0.136
Mouth width 650 mm	73502	1	15.20	0.169



SLIM: S.S. Skimmer A-500 & A-650

Large mouth



DESCRIPTION

In AISI-316L stainless steel. With Ø50mm overflow, basket and lid in stainless steel, both included. It has accommodation to mount the level regulator valve 73453 (see page 101). With connection for equipotential connection. Flow recommended 7.5 m³ / h. Items 56313 and 56316 includes flanges for prefabricated pools. Also exist with 6° inclination: items 72744 and 72743 see page 128. Water level +/- 8 cm. Basket capacity 1.2L.



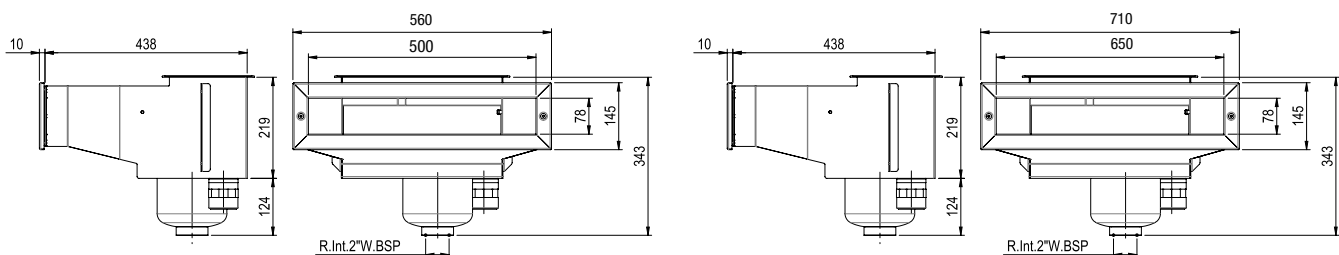
Complies with Standard EN 13451-1-3



Complies with Standards EN 16582-1 EN 16713-2



	Code	Standard Pack	Standard weight in kg	Standard volume in m ³
Mouth width 500 mm	56313	1	14.84	0.136
Mouth width 650 mm	56316	1	14.84	0.136



Concrete pool - S.S. 17.5 L Skimmers



Full A-100 Skimmer S.S.



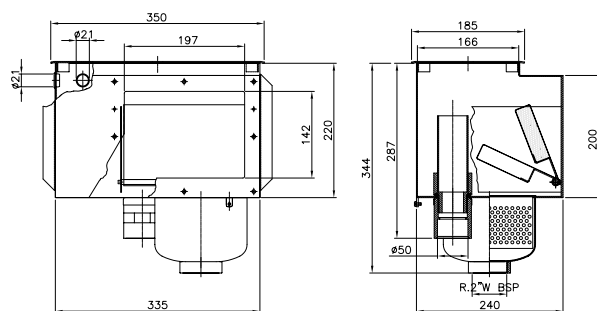
DESCRIPTION

In AISI-316L stainless steel. With Ø 50mm overflow. Stainless Steel basket and lid included. Basket capacity 1.2 L. Comes with housing for assembling the 00256 level regulator valve (see page 101). With connection for an equipotential outlet. Recommended flow rate: 7.5 m³/h. Does not include trim code 00255. For liner, prefabricated and panel pools use coupling kit 07525 not included.



Complies with Standards
EN 16582-1
EN 16713-2

	Code	Standard Pack	Standard weight in kg	Standard volume in m ³
Suction connection, 2" thread	00254	1	8.4	0.04



Decorative face plate



DESCRIPTION

For skimmer 00254. Made of AISI-316L stainless steel.



Complies with Standards
EN 16582-1
EN 16713-2

	Code	Standard Pack	Standard weight in kg	Standard volume in m ³
	00255	1	0.62	0.003

A-201 skimmer body



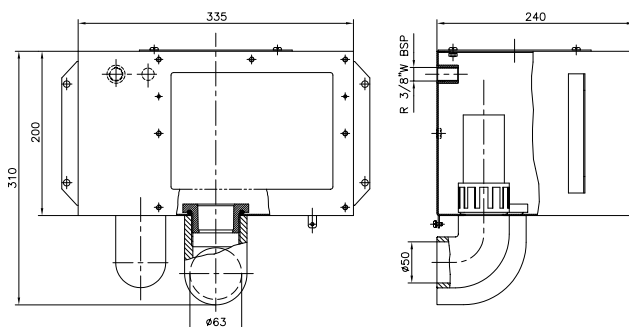
DESCRIPTION

In AISI-316L stainless steel. With Ø 50mm overflow. Skimmer housing without telescopic lid. Comes with housing for assembling the 00256 level regulator valve (see page 101). With connection for an equipotential outlet. Basket can be removed from front. Does not include trim code 07251. Ø 63 mm suction connection. For liner, prefabricated and panel pools use coupling kit 07525 not included.



Complies with Standards
EN 16582-1
EN 16713-2

	Code	Standard Pack	Standard weight in kg	Standard volume in m ³
	07520	1	6.51	0.04



Concrete pool - S.S. 17.5 L Skimmers

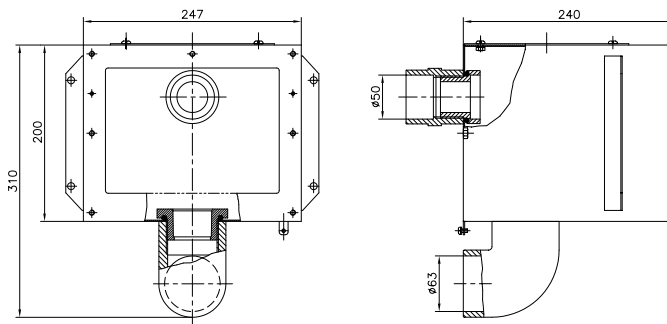
A-202 skimmer body



DESCRIPTION

In AISI-316L stainless steel. With Ø 50 mm overflow. Skimmer housing without telescopic lid. With earth connection. Basket can be removed from front. Does not include trim code 07251. For liner, prefabricated and panel pools use coupling kit 07525 not included.

	Code	Standard Pack	Standard weight in kg	Standard volume in m ³
Ø 63 mm suction connection	07610	1	5.25	0.04



Complies with Standards
EN 16582-1
EN 16713-2



Basket for A-201 and A-202 skimmers



DESCRIPTION

Basket in AISI-316L stainless steel. Includes face plate for direct removal through skimmer opening. Basket capacity 4.6L.

	Code	Standard Pack	Standard weight in kg	Standard volume in m ³
	07521	1	2.19	0.02



Complies with Standards
EN 16582-1
EN 16713-2



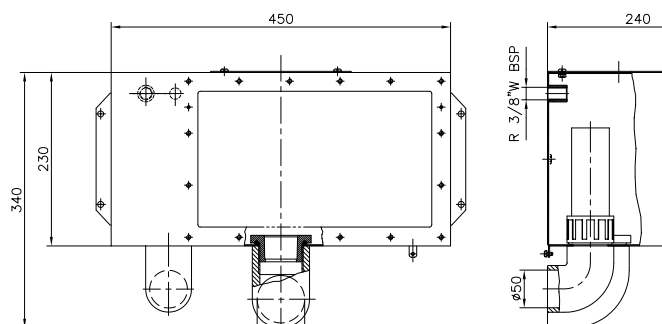
A-400 skimmer body



DESCRIPTION

In AISI-316L stainless steel. With Ø 50mm overflow. Skimmer housing without telescopic lid. Comes with housing for assembling the 00256 level regulator valve (see page 101). With connection for an equipotential outlet. For liner, prefabricated and panel pools use coupling kit 07526 not included.

	Code	Standard Pack	Standard weight in kg	Standard volume in m ³
Ø 63 mm suction connection	07523	1	8.0	0.06



Complies with Standards
EN 16582-1
EN 16713-2

Concrete pool - S.S. 17.5 L Skimmers



Basket for A-400 skimmer



DESCRIPTION

Direct removal through skimmer throat. Wide model. In AISI-316L stainless steel. Basket capacity 11L.



Complies with Standards
EN 16582-1
EN 16713-2

Code	Standard Pack	Standard weight in kg	Standard volume in m ³
07522	1	3.5	0.04

Concrete pool - S.S. Skimmer accessories



Telescopic lid



DESCRIPTION

In AISI-316L stainless steel. For models A-201, A-202 and A-400. 180 x 180 mm lid. Adjustable height from 60 to 110 mm.



Complies with Standard
EN 13451-1-3



Complies with Standards
EN 16582-1
EN 16713-2

Code	Standard Pack	Standard weight in kg	Standard volume in m ³
07524	1	1.63	0.01

Concrete pool - Level regulators



Water level regulator valve



DESCRIPTION

Can be fitted to all stainless steel skimmers, except for model A-202, 56313-56316-72743-72744-73501-73502. Adjustable opening. 3/8" connection.

Code	Standard Pack	Standard weight in kg	Standard volume in m ³
00256	1	0.21	0.002



Universal level regulator



DESCRIPTION

Made of ABS. May be connected from the bottom or side, as required. Semi-die cut outlets to the pool so that the most suitable connection can be made. Adjustable lid height and level. For all types of skimmers. Cover color can be changed using the 15L skimmers covers: 00249-0700CL090, 00249-0700CL129, 00249-0700CL144 from page 95.

Code	Standard Pack	Standard weight in kg	Standard volume in m ³
15862	1	2.0	0.016



Level regulating valve



DESCRIPTION

Level regulator valve compatible with the stainless steel skimmers of SLIM range. Compatible with items: 56313, 56316, 72743, 72744, 73501 73502. With 3/8" side connection and adjustable floater.

Code	Standard Pack	Standard weight in kg	Standard volume in m ³
73453	1	0.9	0.008

Concrete pool - Main drains

Pool main drains information

How affects EN 16713-02 : 2016 main drains in residential pools

	NEW POOL	POOL RENOVATION
--	----------	-----------------

Suction rate: insure a maximum of 0.5 m/s

	ANTI-VORTEX COVER	NON ANTI-VORTEX COVER	WITH MAIN DRAIN BODY CHANGE	UNCHANGED MAIN DRAIN BODY
RISK OF ENTRAPMENT How to prevent it?	Number of main drains per pool: 1	Number of main drains per pool: 2 balanced main drains, distanced at minimum 1 meter. And if any of the 2 main drain is blocked the remaining one should be able to absorb 100% of the installation flow.	Applies new pool rules	Install an anti-vortex grille on pre-installed main drain

CAVITY DIMENSION Main drain should respect a certain cavity dimensions according to a mathematical rule.

OTHERS Other requisites are considered to define that a main drain in compliant with EN, like design. e.g. the design of the grill to avoid human body parts or hair entrapment.

Only with the fulfillment of all requisites of the standard, a Compliance Certification can be delivered!

*Anti-vortex plate is a special component installed in the suction line to control the turbulence in a flowing fluid. These plates allows to control the velocity of the fluid thus preventing cavitation in the fluid.

Concrete pool - Main drains

- All main drains in the range are supplied with UV protection.
- To prevent the risk of suction, install the main drains according to local regulations.
- Recommended use: Maximum suction rate of 0.5 m/s.

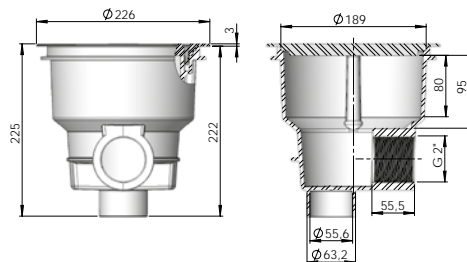
NORM main drain



DESCRIPTION

Range of main drains suitable for public and private swimming pools. Supplied with flat or antivortex grilles. Manufactured in ABS with UV treatment, fitted with a 2" side outlet and a 1½" bottom outlet connection, bottom outlet covered by semi-die cut tab.

	Code	Standard Pack	Standard weight in kg	Standard volume in m³
Flat grating - White	56378	4	10.60	0.069
Flat grating - Beige	56378CL090	4	10.60	0.069
Flat grating - Light Grey	56378CL129	4	10.60	0.069
Flat grating - Anthracite Grey	56378CL144	4	10.60	0.069
Antivortex grating - White	56379	4	10.60	0.069
Antivortex grating - Beige	56379CL090	4	10.60	0.069
Antivortex grating - Light Grey	56379CL129	4	10.60	0.069
Antivortex grating - Anthracite Grey	56379CL144	4	10.60	0.069



Also available in other colours



Complies with Standards
EN 16582-1
EN 16713-2



Complies with Standards
EN 16582-1

Round Ø 270 mm main drain with ABS grating



DESCRIPTION

Bottom 1½" and side 2" outlets. Fully manufactured in white ABS. Side outlet for plug to test watertightness. Bottom outlet with plug and possibility of fitting a hydrostatic valve code 00277 (see page 108) and drainage tube code 21581, (see page 108). Ø 250mm suction grille. Max. flow rate: 13 m³/h.

	Code	Standard Pack	Standard weight in kg	Standard volume in m³
Standard thread	01466	4	5.0	0.045

Round main drains 2" outlet



DESCRIPTION

Body and grill in ABS. Grill fitted using screws. Max. flow rate: 13 m³/h.

	Code	Standard Pack	Standard weight in kg	Standard volume in m³
Standard thread - White	01467	4	2.8	0.028
Standard thread - Beige	01467CL090	4	2.8	0.028
Standard thread - Light Grey	01467CL129	4	2.8	0.028
Standard thread - Anthracite Grey	01467CL144	4	2.8	0.028



Complies with Standards
EN 16582-1

Concrete pool - Main drains

Round Ø 200 mm main drain

with antivortex grille



Complies with Standards
EN 16582-1

DESCRIPTION

Manufactured in white ABS material. 2" side outlet and 1½" bottom outlet. Bottom outlet covered by semi-die cut socket, which can be opened as required. Possibility of fitting drainage tube code 21581 (see page 108). Max. flow rate: 13 m³/h.

	Code	Standard Pack	Standard weight in kg	Standard volume in m³
Standard thread	27837	4	2.807	0.033

Round Ø 200 mm main drain

with flat grille



Complies with Standards
EN 16582-1

DESCRIPTION

Made of white ABS. 2" side outlet and 1½" bottom outlet. Bottom outlet covered by semi-die cut socket, which can be opened as required. Max. flow rate: 13 m³/h.

	Code	Standard Pack	Standard weight in kg	Standard volume in m³
Standard thread	27839	4	2.807	0.033

Main drain

with square ABS grille (210 mm x 210 mm)



Complies with Standards
EN 16582-1

DESCRIPTION

2" side outlet. Body and grille in white ABS. Grille fitted using screws. Max. flow rate: 13 m³/h.

	Code	Standard Pack	Standard weight in kg	Standard volume in m³
	00258	4	4.0	0.044

Main drain grille

for pool standard compliance



74097

74097CL090



74097CL129

74097CL144



Complies with Standards
EN 16582-1



Complies with Apt.4.4.1 b.2
of EN 16713-2:2017

DESCRIPTION

Grille to replace the grilles on already installed main drains in private pools, to meet pool regulations. Made of PP plastic. Compatible with main drains 01467, 27837, 27839.

	Code	Standard Pack	Standard weight in kg	Standard volume in m³
Grille				
White	74097	6	3	0.033
Beige	74097CL090	6	3	0.033
Light grey	74097CL129	6	3	0.033
Anthracite grey	74097CL144	6	3	0.033

Concrete pool - Main drains

Round main drain

in stainless steel. 2" outlet



00268



26196

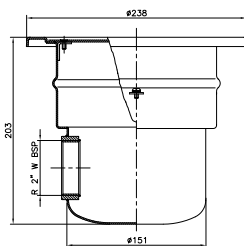


Complies with Standards
UNE-EN 16582-1
UNE-EN-16713-2

DESCRIPTION

2" side outlet. Made of stainless steel. AISI-316L. Grille fitted using screws. Maximum flow rate: 13 m³/h.

	Code	Standard Pack	Standard weight in kg	Standard volume in m ³
2" side outlet"	00268	1	2.56	0.02
2" side outlet and 1 1/2" bottom outlet connection	26196	1	2.80	0.02



Grille for S.S. main drains

for pool standard compliance



Complies with Standards
UNE-EN 16582-1
UNE-EN-16713-2

DESCRIPTION

Grille to replace the grilles on already installed main drains in private pools, to meet pool regulations. Made of SS AISI-316L. Compatible with main drains 00268, 26196.

	Code	Standard Pack	Standard weight in kg	Standard volume in m ³
Antivortex main drain grille	74807	1	-	-

Main drain with square cover

in stainless steel. Outlet 1 1/2"

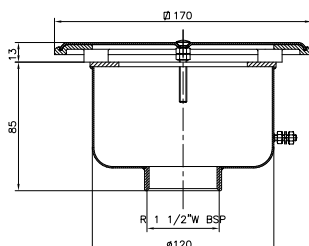


Complies with Standards
EN 16582-1
EN-16713-2

DESCRIPTION

Bottom outlet 1 1/2". Manufactured in stainless steel. AISI-316L Antivortex lid. Can be used in concrete and prefabricated pools with an 00276 adapter. Maximum flow rate: 6 m³/h.

	Code	Standard Pack	Standard weight in kg	Standard volume in m ³
Bottom 1 1/2" outlet	08463	1	1.14	0.01



Concrete pool - Main drains

Main drain with square cover

in stainless steel. 2" outlet



DESCRIPTION

2" side outlet. Manufactured in stainless steel. AISI-316L. Antivortex lid. Can be used in concrete and prefabricated pools with a 00276 adapter (see page 133). Maximum flow rate: 6 m³/h.

Code	Standard Pack	Standard weight in kg	Standard volume in m³
00269	1	1.14	0.01



NORM main drain

in polyester and fibreglass - 330 mm x 330 mm



DESCRIPTION

Range of main drains manufactured in polyester resin and fibreglass. Grille in stainless steel AISI-316L. Optional hydrostatic valve. Minimum depth of installation: 1.5 m. Maximum recommended flow rate down drain: 103 m³/h (0.5 m/s).

Code	Standard Pack	Standard weight in kg	Standard volume in m³
Grille in stainless steel AISI-316L.			
Outlet connection	Flow rate		
to be glued			
Ø 75 mm	15 m³/h	20282N	1
Ø 90 mm	23 m³/h	20283N	1
Ø 110 mm	27 m³/h	20284N	1
			8
			9
			10
			0.08
			0.08
			0.08



Main drain

in polyester and fibreglass - 330 mm x 330 mm



DESCRIPTION

With a gelcoat finish. With optional hydrostatic valve. Maximum recommended flow rate in accordance with standard EN 13451-1.

Code	Standard Pack	Standard weight in kg	Standard volume in m³
Grille in stainless steel AISI-316L. Holes < 8 mm			
Outlet connection	Flow rate		
to be glued			
Ø 75 mm	16 m³/h	20282	1
Ø 90 mm	22 m³/h	20283	1
Ø 110 mm	33 m³/h	20284	1
			5
			5
			5
			0.047
			0.047
			0.047



Code	Standard Pack	Standard weight in kg	Standard volume in m³
Grille in ABS plastic with protection against UV rays.			
Outlet connection	Flow rate		
to be glued			
Ø 75 mm	16 m³/h	22359	1
Ø 90 mm	22 m³/h	22360	1
Ø 110 mm	33 m³/h	22361	1
Ø 125 mm	43 m³/h	22362	1
			4.5
			4.5
			4.5
			0.034
			0.034
			0.034

Optional standard American size and antivortex in standard American size

Concrete pool - Main drains

NORM main drain

in polyester and fibreglass - 507 mm x 507 mm



DESCRIPTION

Range of drains manufactured in polyester resin and fibreglass. Grille in AISI-316L stainless steel. Optional hydrostatic valve. Minimum depth of installation: 1.5 m. Maximum recommended flow rate down drain: 103 m³/h (0.5 m/s).



Complies with Standard
EN 13451-1/3 2012



Complies with Standards
EN 16713-02 2016

Optional standard American
size

	Code	Standard Pack	Standard weight in kg	Standard volume in m ³
--	------	---------------	-----------------------	-----------------------------------

Grille in stainless steel AISI-316L.
Outlet connection Flow rate
to be glued

Ø 110 mm	42 m ³ /h	20285N	1	16	0.23
Ø 125 mm	51 m ³ /h	20286N	1	17	0.23
Ø 140 mm	66 m ³ /h	20287N	1	18	0.23
Ø 160 mm	95 m ³ /h	20288N	1	19	0.23
Ø 200 mm	103 m ³ /h	20289N	1	20	0.23

Main drain

in polyester and fibreglass - 507 mm x 507 mm



DESCRIPTION

With a gelcoat finish. With optional hydrostatic valve. Maximum recommended flow rate in accordance with standard EN 13451-1.

	Code	Standard Pack	Standard weight in kg	Standard volume in m ³
--	------	---------------	-----------------------	-----------------------------------

Grille in AISI-316L stainless steel. Holes < 8 mm
Outlet connection Flow rate
to be glued

Ø 110 mm	33 m ³ /h	20285	1	11.5	0.132
Ø 125 mm	43 m ³ /h	20286	1	11.5	0.132
Ø 140 mm	54 m ³ /h	20287	1	11.5	0.132
Ø 160 mm	70 m ³ /h	20288	1	11.5	0.132
Ø 200 mm	100 m ³ /h	20289	1	11.5	0.132

Grille in ABS plastic with protection against UV rays.
Outlet connection Flow rate
to be glued

Ø 110 mm	33 m ³ /h	28709	1	11.5	0.132
Ø 125 mm	43 m ³ /h	28710	1	11.5	0.132
Ø 140 mm	54 m ³ /h	28711	1	11.5	0.132
Ø 160 mm	70 m ³ /h	28712	1	11.5	0.132
Ø 200 mm	100 m ³ /h	28713	1	11.5	0.132

Concrete pool - Main drain accessories

Hydrostatic valve



DESCRIPTION

To alleviate the pressure that can build up under the pool shell due to groundwater, it is recommended that a hydrostatic valve and a drainage pipe be fitted to the main drain. Hydrostatic valve to be fitted to the 2" bottom outlet on main drains. Made of white ABS, with stainless steel screw and spring, 1½" male thread.

Code	Standard Pack	Standard weight in kg	Standard volume in m³
00277	50	2.63	0.01

Drainage pipe



DESCRIPTION

Drainage pipe with 1½" BSP thread connection for main drains with code numbers 01466, 27837 and 27839. Made of ABS.

Code	Standard Pack	Standard weight in kg	Standard volume in m³
21581	24	3.54	0.021

Concrete pool - Main drain grilles

Flush-fit antivortex cover



DESCRIPTION

Special flush-fit design that enables pool cleaners to go over it without blocking it up. Smooth slopes.

The 415 mm x 415 mm cover (25344) can be fitted to the following main drains:

With stainless steel grille: **With plastic grille:**

- | | |
|--------|--------|
| -20282 | -22359 |
| -20283 | -22360 |
| -20284 | -22361 |
| | -22362 |

The 570 mm x 570 mm cover (28556) can be fitted to the following main drains:

With stainless steel grille: **With plastic grille:**

- | | |
|--------|--------|
| -20285 | -28709 |
| -20286 | -28710 |
| -20287 | -28711 |
| -20288 | -28712 |

Code	Standard Pack	Standard weight in kg	Standard volume in m³	
415 mm x 415 mm, Height: 70 mm	25344	1	2.25	0.012
570 mm x 570 mm, Height: 60 mm	28556	1	4.00	0.032



Complies with Standard EN 13451-1-3



Complies with Standards EN 16713-02 2016

Concrete pool - Main drain grilles

Ø 200 drain grille in ABS

DESCRIPTION

Ring support and grille in white ABS. Supplied with grille fixing screws. This grille is for suction chamber done on site.



Complies with Standards
EN 16582-1

Code	Standard Pack	Standard weight in kg	Standard volume in m ³
00280	10	3.0	0.031

Ø 200 drain grille in stainless steel

DESCRIPTION

Support ring in white plastic, grille in AISI-316L stainless steel. Supplied with grille fixing screws. Maximum recommended flow rate: 13 m³/h.



Complies with Standard
EN 13451-1-3



Complies with Standards
EN 16582-1
EN 16713-2

Code	Standard Pack	Standard weight in kg	Standard volume in m ³
00279	10	6.0	0.02

Ø 300 drain grille in stainless steel

DESCRIPTION

Support ring in aluminium, grille in AISI-316L stainless steel. Supplied with grille fixing screws. Maximum recommended flow rate: 27 m³/h.



Code	Standard Pack	Standard weight in kg	Standard volume in m ³
00282	4	5.8	0.02

Drain grille in stainless steel

DESCRIPTION

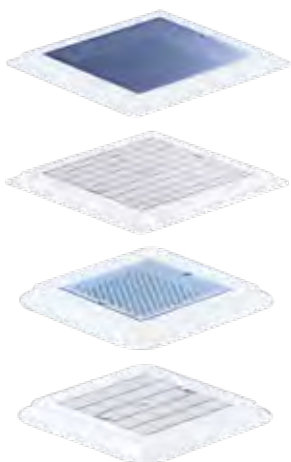
Designed for concrete pools. Support frame and grille in polished stainless steel. Supplied with fixing screws. Other sizes can be made to order.



	Code	Standard Pack	Standard weight in kg	Standard volume in m ³
AISI-304L				
Size (mm)	Max. recommended flow rate			
200 x 200	00284	1	1.2	0.01
300 x 300	00285	1	2.2	0.01
400 x 400	00286	1	4.0	0.03
500 x 500	00287	1	4.5	0.04
AISI-316L				
Size (mm)	Max. recommended flow rate			
200 x 200	30764	1	1.2	0.01
300 x 300	30765	1	2.2	0.01
400 x 400	30766	1	4.0	0.03
500 x 500	30767	1	4.5	0.04

Concrete pool - Main drain grilles

Range of drain grilles



DESCRIPTION

Available in stainless steel and plastic. Frames manufactured in polyester resin and fibreglass with a gelcoat finish. Possibility of fitting antivortex lids with code numbers 25344 and 28556 (see page 108).

	Code	Standard Pack	Standard weight in kg	Standard volume in m ³
Stainless Steel drain grille				
490 mm x 490 mm	28560	1	5.0	0.029
345 mm x 345 mm	28562	1	3.0	0.029
Plastic drain grille				
490 mm x 490 mm	28561	1	4.7	0.029
345 mm x 345 mm	28563	1	2.9	0.029



Drain grille for private pools



DESCRIPTION

Range of drain grilles for use in private and public pools. Optional grilles in plastic or stainless steel. Frames made of plastic. Excellent finish.

	Code	Standard Pack	Standard weight in kg	Standard volume in m ³
Plastic grille 410 x 410 mm	34333	1	-	0.0540
Plastic grille 252 x 252 mm	34331	1	-	0.0129
Stainless Steel grille 410 x 410 mm	34334	1	-	0.0540
Stainless Steel grille 252 x 252 mm	34332	1	-	0.0129

Concrete pool - Inlets

Multiflow system

- The inlet's eyeball is supplied pre-marked with a number of diameters (14-20 and 25). With the help of a punch (also supplied with the inlet) one of the diameters can be cut out at the time of installation.
- Max. recommended flow rate for a max. flow of 4 m/s:
 \varnothing 14 mm = 2.2 m³/h, \varnothing 20 mm = 4.5 m³/h, \varnothing 25 mm = 7 m³/h



NORM return inlets

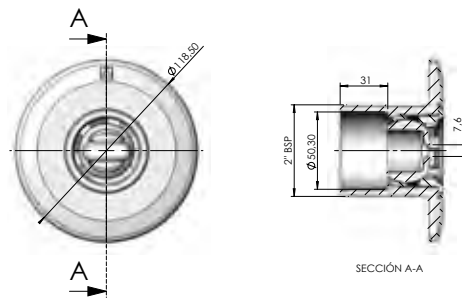


DESCRIPTION

Range of inlets suitable for installation in public and private pools. Manufactured in white ABS with UV treatment.



	Code	Standard Pack	Standard weight in kg	Standard volume in m ³
NORM return inlet for concrete pools	56498	24	4.5	0.020



Multiflow return inlet to be glued



DESCRIPTION

To be glued to a \varnothing 50 mm PN 10 pipe. Made of white ABS.



	Code	Standard Pack	Standard weight in kg	Standard volume in m ³
Standard inlet	24413	40	4.0	0.020

Concrete pool - Inlets

Threaded Multiflow return inlet



DESCRIPTION

Outer 2" thread and Ø 50 mm inner wall to be glued. Made of ABS. Recommended for installation with wall conduits: codes 15658 and 15659.

	Code	Standard Pack	Standard weight in kg	Standard volume in m ³
White	00295	24	4.35	0.020
Beige	00295CL090	24	4.35	0.020
Light Grey	00295CL129	24	4.35	0.020
Anthracite Grey	00295CL144	24	4.35	0.020



Complies with Standards
EN 16582-1
EN 16713-2



DESCRIPTION

To be glued to Ø 63 mm PN 6 outer wall and Ø 50 mm inner wall. Made of ABS. Recommended for installation with wall conduits: code numbers 15661 and 15660.

	Code	Standard Pack	Standard weight in kg	Standard volume in m ³
White	00298	24	4.24	0.020
Beige	00298CL090	24	4.24	0.020
Light Grey	00298CL129	24	4.24	0.020
Anthracite Grey	00298CL144	24	4.24	0.020



Complies with Standards
EN 16582-1
EN 16713-2

Return inlet/suction nozzle

for high flow rates



DESCRIPTION

Return inlet for large flow rates that can also be used as a suction nozzle. Maximum return flow rate of 30m³/h for a maximum flow rate speed of 4 m/s. Maximum suction flow rate of 5 m³/h for a maximum flow rate speed of 0.5 m/s. PVC body. Connection for Ø 75 or Ø 90mm pipe. Inlets can be installed into bushing 43590 (see page 141). Grille can be adjusted in any direction.

	Code	Standard Pack	Standard weight in kg	Standard volume in m ³
	41520	16	4.20	0.021



Complies with Standards
EN 16582-1
EN 16713-2

Inlet with Ø 20 mm ball to be glued



DESCRIPTION

Manufactured in white ABS. To be glued to a Ø 50 mm PN 10 pipe.

	Code	Standard Pack	Standard weight in kg	Standard volume in m ³
Standard inlet	33501	50	2.9	0.020



Complies with Standards
EN 16582-1
EN 16713-2

Concrete pool - Inlets

Return nozzle



Complies with Standards
EN 16582-1
EN 16713-2

DESCRIPTION

In weatherproof, UV-resistant ABS. 3 adjustable positions. (100%, 65%, 35%). Maximum recommended flow rate compliant with standard EN 13451-1: 13.5 m³/h. Connection: outer Ø 63 mm wall.

	Code	Standard Pack	Standard weight in kg	Standard volume in m ³
	15863	24	3.4	0.020

Pool floor return inlet



00303



00303CL090



00303CL129



00303CL144



Complies with Standards
EN 16582-1
EN 16713-2

DESCRIPTION

All-in-one return inlet and suction nozzle. Adjustable flow rate. Made of ABS plastic and screws in stainless steel. Maximum recommended flow rate compliant with standard EN 13451-1: 12 m³/h.

	Code	Standard Pack	Standard weight in kg	Standard volume in m ³
Outer 2" thread, int. Ø 50 mm				
White	00303	24	5.0	0.020
Beige	00303CL090	24	5.0	0.020
Light Grey	00303CL129	24	5.0	0.020
Anthracite Grey	00303CL144	24	5.0	0.020
To glue onto Ø 63 mm PN 6, inner Ø 50 mm	20140	20	4.4	0.021

3" adjustable pool floor return inlet



DESCRIPTION

Made of white ABS plastic. Suction. Flow rate adjusted by turning the grille. Suction surface area: 0.015 m². Outer Ø 295 mm wall. Flow rate (0.4 m/s) 20 m³/h. Max. recommended flow rate compliant with standard EN 13451-1: 26 m³/h (0.5 m/s.).

	Code	Standard Pack	Standard weight in kg	Standard volume in m ³
Grille in AISI-304 stainless steel	08317	2	2.65	0.047
Grille in white ABS	11796	2	2.65	0.047

Pool floor return inlet with swivel joint



22353



22353CL090



22353CL129



22353CL144



Complies with Standards
EN 16582-1
EN 16713-2

DESCRIPTION

Swivel body in PVC. Cover in ABS. Adjuster screw in POM. Maximum flow rate of 10 m³/h. Fits to Ø 75 mm piping and wall conduit with code number 21248.

	Code	Standard Pack	Standard weight in kg	Standard volume in m ³
White	22353	24	4.1	0.022
Beige	22353CL090	24	4.1	0.022
Light Grey	22353CL129	24	4.1	0.022
Anthracite Grey	22353CL144	24	4.1	0.022

Concrete pool - Inlets



Wall conduit for pool floor return

inlet with swivel joint (Net'n'Clean reduction piping)



DESCRIPTION

Diameter of the piping adjusted to glue in inlet 22353. Connection to piping for Ø 50 mm inner wall and Ø 63 mm outer wall.

Code	Standard Pack	Standard weight in kg	Standard volume in m ³
21248	12	7.3	0.032

Suction nozzle



DESCRIPTION

To be glued to Ø 63 mm and Ø 50 mm piping. Maximum pressure: 6 bar. Made of ABS. 1½" thread. Recommended for installation with wall conduits: code numbers 15661 and 15660.

Code	Standard Pack	Standard weight in kg	Standard volume in m ³
00300	24	3.62	0.020
00300CL090	24	3.62	0.020
00300CL129	24	3.62	0.020
00300CL144	24	3.62	0.020



Complies with Standards
EN 16582-1
EN 16713-2



Suction nozzle



DESCRIPTION

Outer 2" thread, Ø 50 mm inner wall. Maximum pressure: 6 bar. Made of white ABS with 1½" threaded plug. Recommended for installation with wall conduits (codes 15658 and 15659).



Complies with Standards
EN 16582-1
EN 16713-2

Code	Standard Pack	Standard weight in kg	Standard volume in m ³
00301	24	3.8	0.020



Suction nozzle



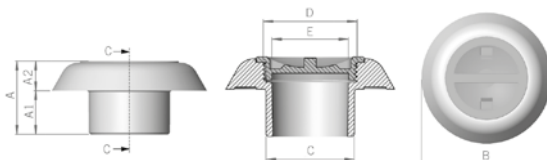
DESCRIPTION

To be glued to a Ø 50 PN 10 pipe. Made of white ABS with 1½" threaded plug. For end connector 07958 and push fit connector 01393. Recommended for installation with wall conduits (codes 15658 and 15659).

Code	Standard Pack	Standard weight in kg	Standard volume in m ³
24415	50	3.72	0.02



Complies with Standards
EN 16582-1
EN 16713-2



Concrete pool - Inlets



Suction inlet



DESCRIPTION

To be glued to a Ø 63 mm pipe. Body and grille in ABS plastic, screws in stainless steel. Application on wall. Its characteristics make this nozzle particularly suitable for overflow channels. Maximum flow rate: 4.5 m³/h.

	Code	Standard Pack	Standard weight in kg	Standard volume in m ³
	00302	12	3.1	0.016



Hydromassage kit



DESCRIPTION

Made up of a return inlet and wall conduit fitted with an air inlet and a venturi. Two wall conduit lengths available. Ø 50 mm water connection pipe and Ø 20 mm air suction pipe.

	Code	Standard Pack	Standard weight in kg	Standard volume in m ³
Hydromassage kit for concrete pools:				
Length of wall conduit 190 mm				
White	32113	12	3.5	0.021
Beige	32113CL090	12	3.5	0.021
Light Grey	32113CL129	12	3.5	0.021
Anthracite Grey	32113CL144	12	3.5	0.021
Length of wall conduit 280 mm				
White	32370	12	3.6	0.021
Beige	32370CL090	12	3.6	0.021
Light Grey	32370CL129	12	3.6	0.021
Anthracite Grey	32370CL144	12	3.6	0.021
Hydromassage kit for concrete pools with a liner:				
Length of wall conduit 190 mm				
White	31443	12	3.5	0.021
Beige	31443CL090	12	3.5	0.021
Light Grey	31443CL129	12	3.5	0.021
Anthracite Grey	31443CL144	12	3.5	0.021
Length of wall conduit 275 mm				
White	32371	8	3.5	0.021
Beige	32371CL090	8	3.5	0.021
Light Grey	32371CL129	8	3.5	0.021
Anthracite Grey	32371CL144	8	3.5	0.021

Concrete pool - Stainless Steel Inlets

Return inlet with Ø 20 mm ball



Complies with Standards
EN 16582-1
EN 16713-2

DESCRIPTION

1½" external thread. Manufactured in AISI-316L stainless steel. Maximum recommended flow of 4.5 m³/hour according to EN 16582-1 and EN 16713-2 standards if installed at a maximum of 500 mm below pool water level. Ø 20mm ball.

	Code	Standard Pack	Standard weight in kg	Standard volume in m ³
Length 35 mm	32994	1	0.3	0.001
Length 50 mm	16325	1	0.3	0.001
Length 70 mm	16326	1	0.5	0.001

Return inlet with Ø 25 mm ball



Complies with Standard
EN 13451-1-3



Complies with Standards
EN 16582-1
EN 16713-2

DESCRIPTION

1½" external thread. Manufactured in AISI-316L stainless steel. Maximum recommended flow according to EN 13451-3 standard: 7 m³/h. Ø 25 mm ball.

	Code	Standard Pack	Standard weight in kg	Standard volume in m ³
Length 35 mm	69874	1	0.3	0.001
Length 50 mm	69875	1	0.3	0.001
Length 70 mm	69876	1	0.5	0.001

Adjustable pool floor return inlet



Complies with Standard
EN 13451-1-3



Complies with Standards
EN 16582-1
EN 16713-2

DESCRIPTION

2" external thread. Made of AISI-316L stainless steel. Can be fitted in concrete and prefabricated pools. The water flow can be adjusted by loosening or tightening the central screw. Max. recommended flow rate complaint with standard EN 13451-3: 14 m³/h.

	Code	Standard Pack	Standard weight in kg	Standard volume in m ³
	15839	1	0.9	0.002

Suction nozzle



Complies with Standard
EN 13451-1-3



Complies with Standards
EN 16582-1
EN 16713-2

DESCRIPTION

1½" external thread. Manufactured in AISI-316L stainless steel. Push-fit connection 05684 required (see page 362).

	Code	Standard Pack	Standard weight in kg	Standard volume in m ³
Length 50 mm	16328	1	0.2	0.001
Length with cover: 50 mm	21644	1	0.3	0.001

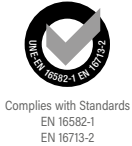
Concrete pool - Stainless Steel Inlets

Adjustable return inlet



DESCRIPTION

Manufactured in chrome-plated brass. Grille in AISI-304L stainless steel.



	Code	Standard Pack	Standard weight in kg	Standard volume in m ³
Max. flow rate: 21 m ³ /h 2" inner thread	00312	12	7.0	0.013
Max. flow rate: 40 m ³ /h 3" inner thread	00313	6	10.0	0.014

Suction nozzle with sliding cover



DESCRIPTION

Manufactured in chrome-plated brass. Faceplate in AISI-304L stainless steel. Pressure connection, 2" internal thread. Sleeve 01392 is needed (see page 362) couples to hose.



	Code	Standard Pack	Standard weight in kg	Standard volume in m ³
	00315	12	8.0	0.008

Suction nozzle with threaded cover



DESCRIPTION

Made of chrome plated brass. Screws into 2" inner thread (01395 coupling is required for hose).



	Code	Standard Pack	Standard weight in kg	Standard volume in m ³
	00317	12	10.0	0.012

Concrete pool - Wall bushings

Wall conduits in ABS



DESCRIPTION

Range of 300 mm long conduits for Ø 2" inlets and Multiflow that can be cut to different lengths, depending on the thickness of the pool wall. Made of ABS. The ribs of the end plates have holes for fitting the wall conduit to the pool structure, which makes assembly straightforward.

	Code	Standard Pack	Standard weight in kg	Standard volume in m ³
Wall conduit in ABS with 2" rear male thread and Ø 50 mm smooth inner wall				
2" front female thread nozzles	15658	15	4.3	0.040
Smooth Ø 59.3 mm front connection for nozzles to be glued to Ø 63 mm piping, 6-bar piping and MINI projector (33684)	15661	15	4.2	0.040
Wall conduit in ABS with smooth Ø 63 mm rear connection and smooth Ø 50 mm inner wall				
2" front female thread nozzles	15659	15	4.2	0.040
Smooth Ø 59.3 mm front connection for nozzles to be glued to Ø 63 mm piping, 6-bar piping and MINI projector (33684)	15660	15	5.6	0.040

Wall conduits in PVC



	Code	Standard Pack	Standard weight in kg	Standard volume in m ³
Wall conduit in Grey PVC. 150 mm long				
2" outer thread + Ø 50 mm inner, 2" inner thread	00322	40	8.2	0.040
Wall conduit in Grey PVC. 300 mm long				
2" female and male thread connection	00323	20	8.9	0.040
2" rear male thread pipe connection or smooth inner wall for MINI projector (33684)	00324	20	8.5	0.040
2" outer thread + Ø 50 mm inner, 1½" inner thread	00325	20	8.4	0.040
2" outer thread + Ø 50 mm inner wall, Ø 50 mm inner wall specially for nozzles 00289, 07957, 00304, 00305 and 00306	00326	20	8.4	0.040

Wall conduits in Stainless Steel



	Code	Standard Pack	Standard weight in kg	Standard volume in m ³
Wall conduit in AISI-304L S.S. Both ends with 1½" inner thread. With earth connection				
Length 240 mm	00327	1	0.7	0.003
Length 340 mm	00328	1	0.8	0.005

Concrete pool - Winter accessories

Winter plugs



	Code	Standard Pack	Standard weight in kg	Standard volume in m ³
For protect from freezing				
For covering 1½" inlets	53849	-	-	-
For covering 2" inlets	06212	-	-	-

Liner and pref. pool - 15 L Skimmers

- All of the components that are exposed in this range of skimmers come with a UV treatment.
- Made of ABS, they come with a weir flap and a flow regulator check valve.
- Bottom suction nozzle connection: 1½" inner thread, 2" outer thread.
- Simultaneous connection to the main drain: Ø 50 mm inner wall.
- Overflow connection: Ø 40 mm.
- Leaf trap.
- Recommended flow rate: 7.5 m³/h.
- It is recommended that one skimmer be installed for every 25 m² of water surface area.
- All skimmers come in two different models: the model with inserts and the PARKER model, which is supplied with self-tapping screws.



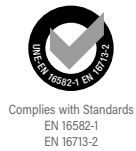
Skimmer with standard mouth opening



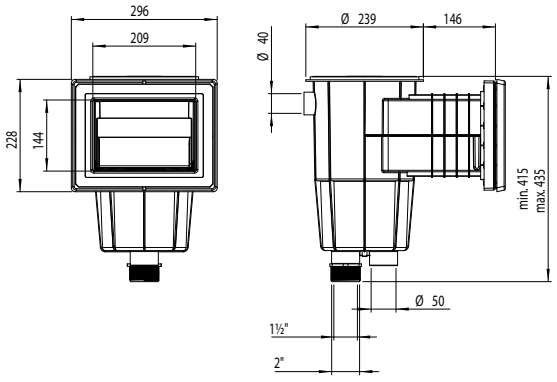
DESCRIPTION



Supplied with adhesive gasket, bi-injection moulded frame, flange and screws.



	Code	Standard Pack	Standard weight in kg	Standard volume in m³
Comes with round snap-on cover				
White	01461	1	4.0	0.059
Beige	01461CL090	1	4.0	0.059
Light Grey	01461CL129	1	4.0	0.059
Anthracite Grey	01461CL144	1	4.0	0.059
Comes with square snap-on cover				
White	01462	1	4.2	0.059



Liner and pref. pool - 15 L Skimmers

Skimmer

with wide mouth opening



34413



34413CL090



34413CL129



34413CL144

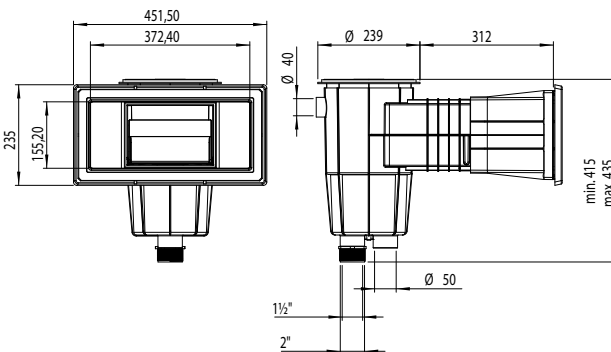
DESCRIPTION

Supplied with adhesive gaskets, flange and screws.

	Code	Standard Pack	Standard weight in kg	Standard volume in m ³
Round cover, small embellisher				
White	01463	1	5.28	0.12
Square cover with round faceplate, small embellisher				
White	01464	1	5.28	0.12
Square cover with square faceplate, big embellisher that covers the flange				
White	34413	1	5.04	0.12
Beige	34413CL090	1	5.04	0.12
Light Grey	34413CL129	1	5.04	0.12
Anthracite Grey	34413CL144	1	5.04	0.12



Complies with Standards
EN 16582-1
EN 16713-2



Skimmer for polyester pools

with wide mouth



DESCRIPTION

15L skimmer, square cover. This skimmer doesn't include gaskets. The installer should insure water tightness of skimmer mouth.

	Code	Standard Pack	Standard weight in kg	Standard volume in m ³
White	06470	1	4.32	0.12



Complies with Standards
EN 16582-1
EN 16713-2

Liner and pref. pool - 15 L Skimmers

Panel Protect skimmer

inside assembly



DESCRIPTION

Supplied with adhesive gaskets, flange and screws. Skimmers specially designed for panel pools. The wide opening assembly should be fitted to the panel from the inside. Supplied with glue. Item 30866 is compatible with EASYCOLOR Inlet sheath item 73166CLXXX to an easy color change of the skimmer embellisher and the floater. This sheath could be installed without change the skimmer mouth what is very practical to renew or upgrade pools.



Complies with Standards
EN 16582-1
EN 16713-2

	Code	Standard Pack	Standard weight in kg	Standard volume in m ³
15 l Panel Protect skimmer wide opening, square cover	30866	1	5.13	0.116
Glue for ABS	30884	1	0.20	0.001



73166CL129



73166CL090



73166CL1144

Liner and pref. pool - 17.5 L Skimmers

- All of the components that are exposed in this range of skimmers come with a UV treatment.
- Made of ABS, they come with a weir flap and a flow regulator check valve.
- Bottom suction nozzle connection: 1½" inner thread, 2" outer thread.
- Simultaneous connection to the main drain: Ø 50 mm inner wall.
- Overflow connection: Ø 40 mm.
- Leaf trap.
- Recommended flow rate: 7.5 m³/h.
- It is recommended that one skimmer be installed for every 25 m² of water surface area.
- All skimmers come in two different models: the model with inserts and the PARKER model, which is supplied with self-tapping screws.



73159

73162



73166CL129



73166CL1144



73166CL090



Filtering skimmer

ASTRALPOOL

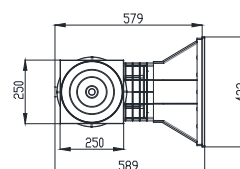
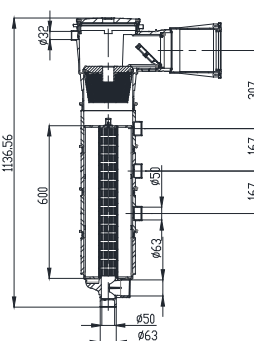
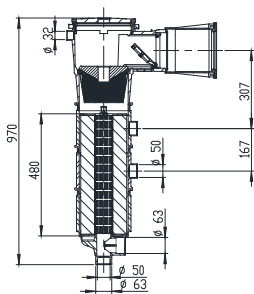


DESCRIPTION

17.5L skimmer with cartridge system integrated. Made of ABS with UV treatment. Incorporate gate, regulator lid height, skimmer basket and 2 cartridge filters. Upper Access water connection Ø 32 m, bottom connections of Ø 63 mm and lateral of Ø 50 mm. Lateral connections are for connecting suction nozzles.

The color change is proposed with an inlet sheath, both the embellisher and the floater. This sheath could be installed without changing the skimmer mouth what is very practical to renew or upgrade pools.

	Code	Standard Pack	Standard weight in kg	Standard volume in m³
Prefabricated pools - white⁽¹⁾				
Filtering skimmer with 2 cartridges 16m³	73159	1	12	0.32
Filtering skimmer with 2 cartridges 20m³	73162	1	13	0.32
Panels pools - white				
Filtering skimmer with 2 cartridges 16m³	73160	1	12.5	0.32
Filtering skimmer with 2 cartridges 20m³	73163	1	13.5	0.32
EASYCOLOR - Inlet sheath⁽²⁾				
Light Grey - inlet sheath	73166CL129	1	1.22	0.02
Anthracite - inlet sheath	73166CL144	1	1.22	0.02
Beige - inlet sheath	73166CL090	1	1.22	0.02
Cartridge⁽³⁾				
Cartridge 16 m³/h - 15 microns	73164	1	1.64	0.02
Cartridge 20 m³/h - 15 microns	73165	1	2.24	0.026



Complies with Standards
EN 16713-1



Complies with Standards
EN 16582-1
EN 16713-2

(1) Codes 73159 and 73162 will be delivered with 2 sets of screws – DIN 7982 A4 5.5x25 and 32.

(2) Also compatible with skimmers 30866, 30867 and 34413

(3) 2-year limited warranty - please refer to the instruction manual

Liner and pref. pool - 17.5 L Skimmers

Skimmer SPS 250

ASTRALPOOL 

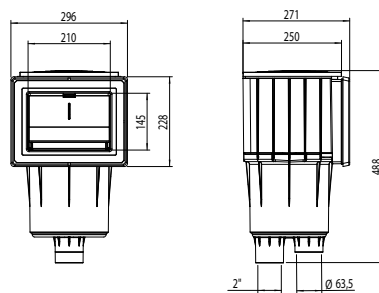


DESCRIPTION

Range of 17L skimmers suitable for installation in residential pools. The short length of 250 mm makes them ideal for installation in pools made from expanded polystyrene blocks. Their configuration also takes the water level up to the edge of the coping stone. Manufactured in ABS with UV protection, the SPS 250 comes with a weir flap, flow regulator and basket. Recommended flow rate of 7.5 m³/h. Install one skimmer every 25 m² of water line surface area. Connections under Ø 63 mm and 2", water overflow connection of Ø 32 mm.



	Code	Standard Pack	Standard weight in kg	Standard volume in m ³
Skimmer with inserts	58382	1	3.50	0.037



Complies with Standards EN 16582-1

NORM skimmer

ASTRALPOOL 

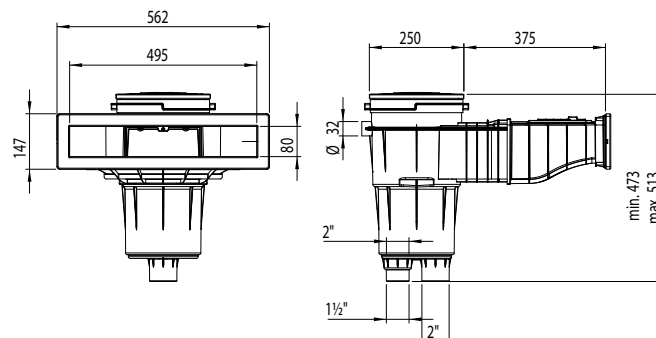


DESCRIPTION

17.5L skimmer range suitable for installation in public and private pools. Manufactured in ABS with UV treatment, it comes with a weir flap, flow regulator, lid height regulation and basket. The water inlet is 495 x 80 mm. Recommended flow rate of 7.5 m³/h. Install one skimmer every 25 m² of water line surface area. Connections under 1½" and 2", water overflow connection of Ø 40 mm.



	Code	Standard Pack	Standard weight in kg	Standard volume in m ³
For prefabricated pools with inserts				
White	56176	1	5.61	0.182
Beige	56176CL090	1	5.61	0.182
Light Grey	56176CL129	1	5.61	0.182
Anthracite Grey	56176CL144	1	5.61	0.182
For prefabricated pools without inserts				
White	56299	1	5.61	0.182
Beige	56299CL090	1	5.61	0.182
Light Grey	56299CL129	1	5.61	0.182
Anthracite Grey	56299CL144	1	5.61	0.182
NORM 6° for prefabricated pools with inserts	57114	1	5.61	0.182



Complies with Standards EN 16582-1 EN 16713-2

Liner and pref. pool - 17.5 L Skimmers

Skimmer with standard mouth opening



DESCRIPTION

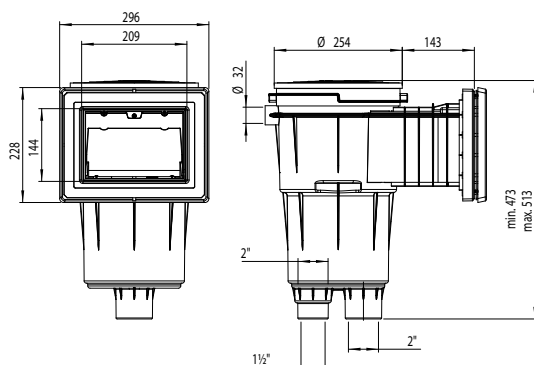
Supplied with adhesive gaskets, flange and screws.



	Code	Standard Pack	Standard weight in kg	Standard volume in m ³
Skimmer with square cover				
White	11309	1	5.30	0.062
Beige	11309CL090	1	5.30	0.062
Light Grey	11309CL129	1	5.30	0.062
Anthracite Grey	11309CL144	1	5.30	0.062
Skimmer 6° for polyester pool with square cover, with inserts				
White	35664	1	6.00	0.062
Skimmer 6° for polyester pool with round cover, without inserts				
White	68108	1	6.00	0.062
Beige	68108CL090	1	6.00	0.062
Light grey	68108CL129	1	6.00	0.062
Anthracite grey	68108CL144	1	6.00	0.062



Complies with Standards
EN 16582-1
EN 16713-2



Liner and pref. pool - 17.5 L Skimmers

Skimmer with standard opening and extended throat



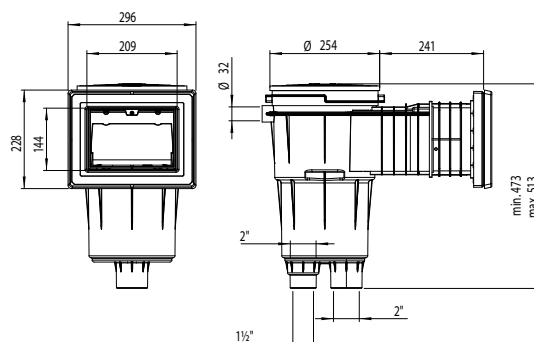
DESCRIPTION

Supplied with adhesive gaskets, flange and screws.

Code	Standard Pack	Standard weight in kg	Standard volume in m ³
------	---------------	-----------------------	-----------------------------------

With square cover

White	11310	1	5.90	0.077
Beige	11310CL090	1	5.90	0.077
Light Grey	11310CL129	1	5.90	0.077
Anthracite Grey	11310CL144	1	5.90	0.077



* Available until end of stocks



Complies with Standards
EN 16582-1
EN 16713-2

Skimmer with wide mouth opening



DESCRIPTION

Supplied with adhesive gaskets, flange and screws.

Code	Standard Pack	Standard weight in kg	Standard volume in m ³
------	---------------	-----------------------	-----------------------------------

With square cover

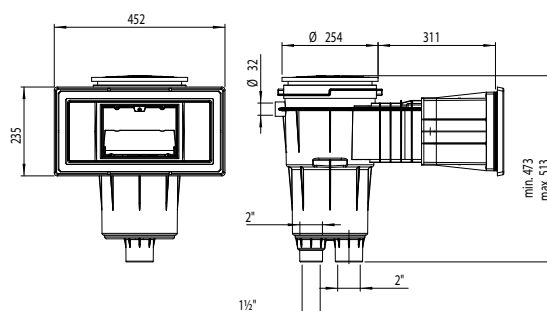
White	11311	1	6.52	0.135
Beige	11311CL090	1	6.52	0.135
Light Grey	11311CL129	1	6.52	0.135
Anthracite Grey	11311CL144	1	6.52	0.135

With square cover for PARKER models

White	11317	1	6.52	0.135
Beige	11317CL090	1	6.52	0.135
Light Grey	11317CL129	1	6.52	0.135
Anthracite Grey	11317CL144	1	6.52	0.135

With square cover - 6° for polyester pool

White	35665	1	6.12	0.135
-------	-------	---	------	-------



Complies with Standards
EN 16582-1
EN 16713-2

Liner and pref. pool - 17.5 L Skimmers

Skimmer with wide opening and extended throat



DESCRIPTION

Supplied with adhesive gaskets, flange and screws.



Complies with Standards
EN 16582-1
EN 16713-2

	Code	Standard Pack	Standard weight in kg	Standard volume in m ³
Square cover	11313	1	7.00	0.161
Square cover for PARKER models	11314	1	7.00	0.161



Panel Protect skimmer inside assembly



DESCRIPTION

Skimmers for panel pools. The wide opening assembly should be fitted to the panel from the inside. Supplied with glue. Item 30867 is compatible with EASYCOLOR Inlet sheath item 73166CLXXX to an easy color change of the skimmer embellisher and the floater. This sheath could be installed without change the skimmer mouth what is very practical to renew or upgrade pools.

	Code	Standard Pack	Standard weight in kg	Standard volume in m ³
17.5 l Panel Protect skimmer wide opening, square cover	30867	1	6.20	0.116
Glue for ABS	30884	25	5.05	0.12



73166CL129



73166CL090

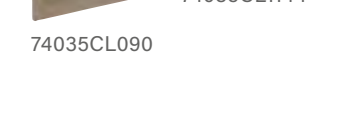
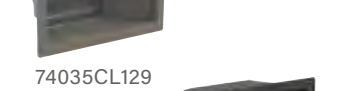
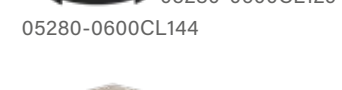
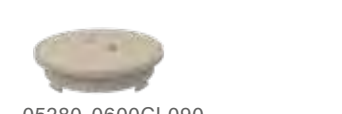
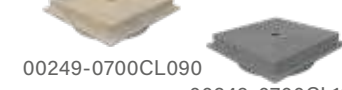
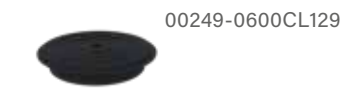


73166CL1144



Complies with Standards
EN 16582-1
EN 16713-2

Liner and pref. pool - Skimmer accessories



Covers for 15 l skimmers



	Code	Standard Pack	Standard weight in kg	Standard volume in m ³
Round cover, round face plate				
Beige	00249-0600CL090	23	7.9	0.069
Light Grey	00249-0600CL129	23	7.9	0.069
Anthracite Grey	00249-0600CL144	23	7.9	0.069
Round cover, square face plate				
Beige	00249-0700CL090*	13	6.9	0.069
Light Grey	00249-0700CL129*	13	6.9	0.069
Anthracite Grey	00249-0700CL144*	13	6.9	0.069

* Compatibles with level regulator 15862 for a color customization of the level regulator.

Covers for 17.5 l skimmers



	Code	Standard Pack	Standard weight in kg	Standard volume in m ³
Round cover, round face plate				
Beige	05280-0600CL090	15	8	0.069
Light Grey	05280-0600CL129	15	8	0.069
Anthracite Grey	05280-0600CL144	15	8	0.069
Round cover, square face plate				
Beige	05280-0700CL090	15	8	0.069
Light Grey	05280-0700CL129	15	8	0.069
Anthracite Grey	05280-0700CL144	15	8	0.069

EASYCOLOR - Inlet Sheath

for wide mouth skimmers



DESCRIPTION

The EASYCOLOR inlet sheath kit allows to change the color of the skimmers wide mouth items 01463, 01464, 11311, 11313, 11314 and 11317, both the embellisher and the floater. This sheath could be installed without change the skimmer mouth what is very practical to renew or upgrade pools. This new kit includes inlet sheath, floater, flanges and embellisher.

	Code	Standard Pack	Standard weight in kg	Standard volume in m ³
Beige - inlet sheath	74035CL090	1	1.22	0.02
Light Grey - inlet sheath	74035CL129	1	1.22	0.02
Anthracite Grey - inlet sheath	74035CL144	1	1.22	0.02

Double gasket kits

for skimmers



DESCRIPTION

Kits made up of a double gasket and the screws necessary for the installation of skimmers in panel pools. Made of TPE, the kit enables the installation of various accessories in pool shells and protects the panelling from coming into contact with water. Easy to install. Prevents corrosion of the panelling in the area that has been die cut.

	Code	Standard Pack	Standard weight in kg	Standard volume in m ³
Inserts for wide openings	14516-0500	50	-	0.070
Self-tapping screws for wide openings	14516-0600	50	-	0.070
Inserts for standard openings	27124-0500	80	-	0.035
Self-tapping screws for standard openings	27124-0600	80	-	0.035
Inserts for Norm openings	57289-0500	40	-	0.070
Self-tapping screws for Norm openings	57289-0600	40	-	0.070



Liner and pref. pool - 17.5 L S.S. Skimmers

SLIM: S.S. Skimmer A-500

Large mouth



DESCRIPTION

In AISI-316L stainless steel. With Ø 50 mm overflow, basket and lid in stainless steel, both included. It has accommodation to mount the level regulator valve 73453 (see page 101). With connection for equipotential connection. Flow recommended 7.5 m³ / h. Water level +/- 8 cm. basket capacity 1,2L.

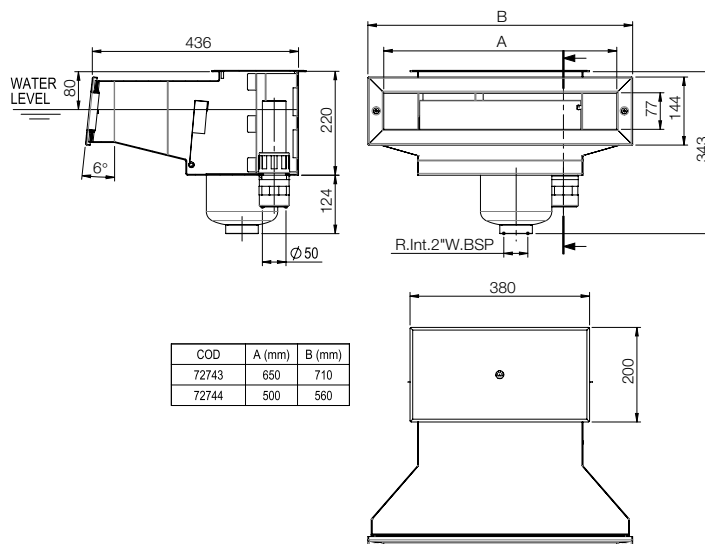


Complies with Standard
EN 13451-1-3



Complies with Standards
EN 16582-1
EN 16713-2

	Code	Standard Pack	Standard weight in kg	Standard volume in m ³
Mouth width 500 mm, 6° inclination	72744	1	14.84	0.136
Mouth width 650 mm, 6° inclination	72743	1	14.84	0.136



Liner and pref. pool - S.S. Skimmer accessories

Coupling kit

for stainless steel skimmers



Complies with Standards
EN 16582-1
EN 16713-2

DESCRIPTION

For liner, prefabricated and panel pools. Includes: 2 elastic gaskets, AISI-316 stainless steel frame and screws for assembling.

	Code	Standard Pack	Standard weight in kg	Standard volume in m ³
For A-100, A-201 and A-202 skimmers (00254, 07520 and 07610)	07525	1	0.78	0.002
For A-400 skimmer (code 07523)	07526	1	1.13	0.01

Liner and prefabricated pool - Main drains

Pool main drains information

How affects EN 16713-02 : 2016 main drains in residential pools

NEW POOL	POOL RENOVATION
----------	-----------------

Suction rate: insure a maximum of 0.5 m/s

	ANTI-VORTEX COVER	NON ANTI-VORTEX COVER	WITH MAIN DRAIN BODY CHANGE	UNCHANGED MAIN DRAIN BODY
RISK OF ENTRAPMENT How to prevent it?	Number of main drains per pool: 1	Number of main drains per pool: 2 balanced main drains, distanced at minimum 1 meter. And if any of the 2 main drain is blocked the remaining one should be able to absorb 100% of the installation flow.	Applies new pool rules	Install an anti-vortex grille on pre-installed main drain

CAVITY DIMENSION Main drain should respect a certain cavity dimensions according to a mathematical rule.

OTHERS Other requisites are considered to define that a main drain in compliant with EN, like design. e.g. the design of the grill to avoid human body parts or hair entrapment.

Only with the fulfillment of all requisites of the standard, a Compliance Certification can be delivered!

*Anti-vortex plate is a special component installed in the suction line to control the turbulence in a flowing fluid. These plates allows to control the velocity of the fluid thus preventing cavitation in the fluid.

Liner and prefabricated pool - Main drains

- All main drains in the range are supplied with UV protection.
- To prevent the risk of suction, install the main drains according to local regulations.
- Recommended use: Maximum suction rate of 0.5 m/s.

NORM main drain

ASTRALPOOL 



DESCRIPTION

Range of main drains suitable for installation in public and private pools. Supplied with flat or antivortex grilles. Manufactured in ABS with UV treatment, fitted with a 2" side outlet and a 1½" bottom outlet connection, bottom outlet covered by semi-die cut tab.



Complies with Standards
EN 16582-1
EN 16713-2

	Code	Standard Pack	Standard weight in kg	Standard volume in m ³
Flat grating with inserts				
White	56380	4	10.60	0.069
Beige	56380CL090	4	10.60	0.069
Light Grey	56380CL129	4	10.60	0.069
Anthracite Grey	56380CL144	4	10.60	0.069
Flat grating without inserts				
White	56381	4	10.60	0.069
Beige	56381CL090	4	10.60	0.069
Light Grey	56381CL129	4	10.60	0.069
Anthracite Grey	56381CL144	4	10.60	0.069
Antivortex grating with inserts				
White	56382	4	10.60	0.069
Beige	56382CL090	4	10.60	0.069
Light Grey	56382CL129	4	10.60	0.069
Anthracite Grey	56382CL144	4	10.60	0.069
Antivortex grating without inserts				
White	56383	4	10.60	0.069
Beige	56383CL090	4	10.60	0.069
Light Grey	56383CL129	4	10.60	0.069
Anthracite Grey	56383CL144	4	10.60	0.069

Mini main drain

ASTRALPOOL 



DESCRIPTION

Side outlet drain assembly with 2" inner thread. Made of white ABS with grille fixed to flange. Suction velocity at grille of 0.5 m/s and flow rate of 11 m³/h. The slots in the grille are no larger than 8 mm, in compliance with regulations. M5 screws and brass inserts for fastening the flange and grille. Can be used in concrete spas and side suction inlets.



Complies with Standards
EN 16582-1

	Code	Standard Pack	Standard weight in kg	Standard volume in m ³
Mini main drain - White	27814	4	2.64	0.013

Liner and prefabricated pool - Main drains

Ø 290 mm main drain

PARKER model



DESCRIPTION

2" side outlet and 1½" bottom outlet. Specially for liner pools. Built completely in white ABS. Comes with screws in stainless steel and synthetic adhesive gaskets. Side outlet for plug for testing water tightness. Bottom outlet for plug for fitting a hydrostatic valve code 00277 (see page 108) and drainage tube code 21581 (see page 108). Suction speed of 0.5 m/s. Maximum recommended flow rate: 13 m³/h. Fitted flush to pool floor for total drainage.



	Code	Standard Pack	Standard weight in kg	Standard volume in m³
Main drain of Ø 290 mm for liner pool	00270	4	5.71	0.044

Round Ø 200 mm main drain

with antivortex grille



DESCRIPTION

Made of white ABS. 2" side outlet and 1½" bottom outlet. Bottom outlet covered by a semi-die cut tab, which may be removed if necessary. A drainage pipe (code drainage code 21581, see page 108). Max. flow rate: 13 m³/h.



	Code	Standard Pack	Standard weight in kg	Standard volume in m³
	27125	4	3.543	0.033

Round Ø 200 mm main drain

with flat grille



DESCRIPTION

Made of white ABS. 2" side outlet and 1½" bottom outlet. Bottom outlet covered by a semi-die cut tab, which may be removed if necessary. A drainage pipe (code drainage code 21581, see page 108). Max. flow rate: 13 m³/h.



	Code	Standard Pack	Standard weight in kg	Standard volume in m³
	27838	4	3.391	0.033

Liner and prefabricated pool - Main drains

Ø 210 mm main drain

with ABS grille



00271

00271CL090



00271CL129

00271CL144



Complies with Standards
EN 16582-1



DESCRIPTION

2" side outlet. Body and grille in ABS. Comes with self-adhesive gaskets, flange and screws. Maximum recommended flow rate: 13 m³/h.

	Code	Standard Pack	Standard weight in kg	Standard volume in m ³
Ø 210 mm main drain with ABS grille				
White	00271	4	4.0	0.033
Beige	00271CL090	4	4.0	0.033
Light Grey	00271CL129	4	4.0	0.033
Anthracite Grey	00271CL144	4	4.0	0.033
Ø 210 mm main drain with ABS grille, Parker				
White	06474	4	4.0	0.033
Beige	06474CL090	4	4.0	0.033
Light Grey	06474CL129	4	4.0	0.033
Anthracite Grey	06474CL144	4	4.0	0.033

Main drain grille

for pool standard compliance



74097

74097CL090



74097CL129

74097CL144



Complies with Standards
EN 16582-1



Complies with Standards
of EN 16713-2

DESCRIPTION

Grille to replace the grilles on already installed main drains in private pools, to meet pool regulations. Made of PP plastic. Compatible with main drains 00270, 00271, 06474 and 07880.

	Code	Standard Pack	Standard weight in kg	Standard volume in m ³
Grille				
White	74097	6	3	0.033
Beige	74097CL090	6	3	0.033
Light grey	74097CL129	6	3	0.033
Anthracite grey	74097CL144	6	3	0.033

Square 210 mm x 210 mm

main drain with ABS grille



DESCRIPTION

With 2" side outlet. Body and grille in ABS. Comes with self-adhesive gaskets, flange and screws. Maximum recommended flow rate: 13 m³/h.

	Code	Standard Pack	Standard weight in kg	Standard volume in m ³
	00273	4	5.5	0.043



Complies with Standards
EN 16582-1

Liner and prefabricated pool - Main drains

Round main drain in stainless steel



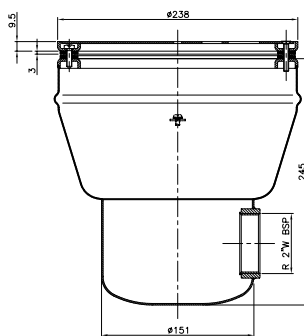
DESCRIPTION

2" side outlet. Made of AISI-316L stainless steel. Grille fitted using screws. Comes with gaskets, flange and screws. Maximum recommended flow rate: 13 m³/h.



Complies with Standards EN 16582-1

	Code	Standard Pack	Standard weight in kg	Standard volume in m ³
2" side outlet"	00275	1	2.27	0.02
2" side outlet and 1½" bottom outlet connections	26197	1	4.23	0.04



Grille for S.S. main drains for pool standard compliance



DESCRIPTION

Grille to replace the grilles on already installed main drains in private pools, to meet pool regulations. Made of SS AISI-316L. Compatible with main drains 00275, 26197.



Complies with Standards EN 16582-1 EN-16713-2

	Code	Standard Pack	Standard weight in kg	Standard volume in m ³
Antivortex main drain grille (Liner)	74808	1	-	-

Adaptor kit for main drain



DESCRIPTION

For main drain 00269. Comes with gaskets, flange and screws. Flange in AISI-316L stainless steel.

	Code	Standard Pack	Standard weight in kg	Standard volume in m ³
	00276	40	9.7	0.01

Liner and prefabricated pool - Main drains

NORM main drain

in polyester and fibreglass - 350 mm x 350 mm



Complies with Standard
EN 13451-1-3



Complies with Standards
EN 16713-02:2016

Optional standard American size and antivortex in standard American size

DESCRIPTION

Range of main drains manufactured in polyester resin and fibreglass. Grille in stainless steel. Optional hydrostatic valve. Minimum depth of installation: 1.5 m. Maximum recommended flow rate down drain: 103 m³/h (0.5 m/s).

	Code	Standard Pack	Standard weight in kg	Standard volume in m ³
Outlet connection to be glued				
Flow rate				
Ø 75 mm	20074N	1	8	0.08
Ø 90 mm	20075N	1	9	0.08
Ø 110 mm	20290N	1	10	0.08

NORM main drain

in polyester and fibreglass - 507 mm x 507 mm



Complies with Standard
EN 13451-1-3



Complies with Standards
EN 16713-02:2016

Optional standard American size and antivortex in standard American size

DESCRIPTION

Range of main drains manufactured in polyester resin and fibreglass. Grille in stainless steel. Optional hydrostatic valve. Minimum depth of installation: 1.5 m. Maximum recommended flow rate down drain: 103 m³/h (0.5 m/s).

	Code	Standard Pack	Standard weight in kg	Standard volume in m ³
Outlet connection to be glued				
Flow rate				
Ø 110 mm	20076N	1	16	0.23
Ø 125 mm	20077N	1	17	0.23
Ø 140 mm	20078N	1	18	0.23
Ø 160 mm	20079N	1	19	0.23
Ø 200 mm	20291N	1	20	0.23

Main drain

in polyester and fibreglass - 350 mm x 350 mm



Optional: Standard American sizes

Max. recommended flow rate: 45 m³/h (0.5 m/s). Recommended flow rate: 27 m³/h (0.3 m/s)

DESCRIPTION

Made of fibreglass-reinforced polyester. With a gelcoat finish. Comes with gaskets, flange and screws. Holes < 8 mm. Outlet connection to be glued. With optional hydrostatic valve.

	Code	Standard Pack	Standard weight in kg	Standard volume in m ³
Grille in stainless steel				
Outlet connection to be glued				
Flow rate				
Ø 75 mm	20074	1	6.5	0.047
Ø 90 mm	20075	1	6.5	0.047
Ø 110 mm	20290	1	6.5	0.047

Max. recommended flow rate: 33.5 m³/h (0.5 m/s). Recommended flow rate: 20 m³/h (0.3 m/s).

Grille in ABS plastic with protection against UV rays

	Code	Standard Pack	Standard weight in kg	Standard volume in m ³
Outlet connection to be glued				
Flow rate				
Ø 75 mm	22416	1	6.5	0.047
Ø 90 mm	22417	1	6.5	0.047
Ø 110 mm	22418	1	6.5	0.047
Ø 125 mm	22419	1	6.5	0.047

Liner and prefabricated pool - Main drains

Main drain in polyester and fibreglass - 507 mm x 507 mm



DESCRIPTION

With a gelcoat finish. Grille in AISI-316L stainless steel. Comes with gaskets, flanges and screws. Holes < 8 mm. Outlet connection to be glued. Recommended flow rate: 62 m³/h (0.3 m/s). Max. recommended flow rate: 103 m³/h (0.5 m/s). With optional hydrostatic valve.

		Code	Standard Pack	Standard weight in kg	Standard volume in m ³
Grille in stainless steel					
Outlet connection to be glued	Flow rate				
Ø 110 mm	42 m ³ /h	20076	1	1.4	0.132
Ø 125 mm	51 m ³ /h	20077	1	1.4	0.132
Ø 140 mm	66 m ³ /h	20078	1	1.4	0.132
Ø 160 mm	95 m ³ /h	20079	1	1.4	0.132
Ø 200 mm	103 m ³ /h	20291	1	1.4	0.132
Grille in ABS plastic with protection against UV rays					
Outlet connection to be glued	Flow rate				
Ø 110 mm	42 m ³ /h	28722	1	1.4	0.132
Ø 125 mm	51 m ³ /h	28723	1	1.4	0.132
Ø 140 mm	66 m ³ /h	28724	1	1.4	0.132
Ø 160 mm	95 m ³ /h	28725	1	1.4	0.132
Ø 200 mm	103 m ³ /h	28726	1	1.4	0.132

Liner and pref. pool - Main drain accessories

Hydrostatic valve



DESCRIPTION

To alleviate the pressure that can build up under the pool shell due to groundwater, it is recommended that a hydrostatic valve and a drainage pipe be fitted to the main drain. Hydrostatic valve to be fitted to the 2" bottom outlet on main drains. Made of white ABS, with stainless steel screw and spring. 1½" male thread.

	Code	Standard Pack	Standard weight in kg	Standard volume in m ³
	00277	50	2.63	0.01

Drainage pipe



DESCRIPTION

Drainage tube with 1½" BSP thread connection for drains 00270 (see page 131), 27838 (see page 131), 26197 (see page 133) y 27125 (see page 131). Manufactured in ABS.

	Code	Standard Pack	Standard weight in kg	Standard volume in m ³
	21581	24	3.54	0.021

Liner and prefabricated pool - Main Drain accessories

Flush-fit antivortex cover



DESCRIPTION

Special flush-fit design that enables pool cleaners to go over it without blocking it up.

The 415 mm x 415 mm cover (25344) can be fitted to the following main drains:

With stainless steel grille: **With plastic grille:**

- 20074 -22416
- 20075 -22417
- 20290 -22418
- 22419

The 570 mm x 570 mm cover (28556) can be fitted to the following main drains:

With stainless steel grille: **With plastic grille:**

- 20076 -28722
- 20077 -28723
- 20078 -28724
- 20079 -28725

	Code	Standard Pack	Standard weight in kg	Standard volume in m ³
415 mm x 415 mm, Height: 70 mm	25344	1	2.25	0.012
570 mm x 570 mm, Height: 60 mm	28556	1	3.90	0.015



Complies with Standard EN 13451-1:2000



Complies with Standards EN 16713-02:2016

Liner and pref. pool - Level regulators

Level regulator



DESCRIPTION

Made of ABS. May be connected from the bottom or side, as required. Semi-die cut outlets to the pool so that the most suitable connection can be made. Adjustable lid height and level. For all types of skimmers. Cover color can be changed using the 15L skimmers covers: 00249-0700CL090, 00249-0700CL129, 00249-0700CL144 from page 127.

	Code	Standard Pack	Standard weight in kg	Standard volume in m ³
	15862	1	2.0	0.016

Level regulating valve



DESCRIPTION

Level regulator valve compatible with the stainless steel skimmers of SLIM range. Compatible with items: 56313, 56316, 72743, 72744, 73501 73502. With 3/8" side connection and adjustable floater.

	Code	Standard Pack	Standard weight in kg	Standard volume in m ³
	73453	1	0.9	0.008

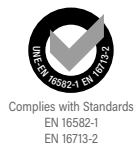
Liner and prefabricated pool - Inlets

Multiflow system

- The inlet's eyeball is supplied pre-marked with a number of diameters (14-20 and 25). With the help of a punch (also supplied with the inlet) one of the diameters can be cut out at the time of installation.
- Max. recommended flow rate for a max. flow of 4 m/s:
 \varnothing 14 mm = 2.2 m³/h, \varnothing 20 mm = 4.5 m³/h, \varnothing 25 mm = 7 m³/h



Multiflow threaded return inlet for liner pools



DESCRIPTION

Outer 2" thread, \varnothing 50mm inner. For liner pools. Comes in ABS, with gaskets and screws. Installation with bushing 15662 or 15663 is recommended (see page 148).

	Code	Standard Pack	Standard weight in kg	Standard volume in m ³
White	00330	12	4.5	0.020
Beige	00330CL090	12	4.5	0.020
Light Grey	00330CL129	12	4.5	0.020
Anthracite Grey	00330CL144	12	4.5	0.020

NORM return inlets



DESCRIPTION

Range of inlets suitable for installation in public and private pools. Manufactured in ABS with UV treatment.

	Code	Standard Pack	Standard weight in kg	Standard volume in m ³
For prefabricated/liner pools				
White	56499	12	4.5	0.020
Beige	56499CL090	12	4.5	0.020
Light Grey	56499CL129	12	4.5	0.020
Anthracite Grey	56499CL144	12	4.5	0.020
For prefabricated pools				
White	56500	24	4.5	0.020
Beige	56500CL090	24	4.5	0.020
Light Grey	56500CL129	24	4.5	0.020
Anthracite Grey	56500CL144	24	4.5	0.020

Liner and prefabricated pool - Inlets

Return inlets



DESCRIPTION

Range of inlets suitable for installation in public and private pools. Manufactured in ABS with UV treatment.

	Code	Standard Pack	Standard weight in kg	Standard volume in m ³
For prefabricated pools, Parker				
White	17383	24	4.5	0.020
Beige	17383CL090	24	4.5	0.020
Light Grey	17383CL129	24	4.5	0.020
Anthracite Grey	17383CL144	24	4.5	0.020



Complies with Standards
EN 16582-1
EN 16713-2

Multiflow threaded return inlet

Parker model



DESCRIPTION

2" external thread, Ø 50 mm inner wall with Parker system. (Self-tapping screws). For installation with wall conduits code 15664 or 15665 (see page 148).

	Code	Standard Pack	Standard weight in kg	Standard volume in m ³
	06498	20	4.72	0.021



Complies with Standards
EN 16582-1
EN 16713-2

Multiflow threaded return inlet



DESCRIPTION

Outer 2" thread and Ø 50 mm inner wall to be glued. Made of ABS.

	Code	Standard Pack	Standard weight in kg	Standard volume in m ³
White	00334	24	4.61	0.020
Beige	00334CL090	24	4.61	0.020
Light Grey	00334CL129	24	4.61	0.020
Anthracite Grey	00334CL144	24	4.61	0.020



Complies with Standards
EN 16582-1
EN 16713-2

Liner and prefabricated pool - Inlets

Multiflow threaded return inlet



DESCRIPTION

2" outer thread, 1½" inner thread. Made of white ABS. Comes with gaskets. The slots in the grille are no larger than 8 mm.



	Code	Standard Pack	Standard weight in kg	Standard volume in m ³
Standard inlet	06481	30	5.1	0.021

Multiflow return inlet for panel pools



DESCRIPTION

Inlets specially designed for installation in panel pools between 10 and 15 cm thick. To be glued to a Ø 50 mm pipe. Made of white ABS. Comes with gaskets.



	Code	Standard Pack	Standard weight in kg	Standard volume in m ³
	33091	8	3.35	0.021

Return nozzle for prefabricated pools with liner



DESCRIPTION

The diameter of the outer wall has a smaller diameter than other models so that it fits better in curved walls.



	Code	Standard Pack	Standard weight in kg	Standard volume in m ³
Threaded 1½" BSP return nozzle	32450	24	7.1	0.021

Adjustable return inlet



DESCRIPTION

Comes with gaskets, flange and screws. 3 adjustable positions: (100%, 65%, 35%). Flow rate: 13.5 m³/h. Outer Ø 63 mm connection.



	Code	Standard Pack	Standard weight in kg	Standard volume in m ³
	15864	12	4.2	0.02

Liner and prefabricated pool - Inlets

Inlet base

ASTRALPOOL


DESCRIPTION

Kit Base and nut - Connection to the base Ø50 mm, 2"nut.

	Code	Standard Pack	Standard weight in kg	Standard volume in m ³
Inlet body set+nut	74179	24 u	4,61	0,021

Multiflow return inlet for prefabricated pools

ASTRALPOOL


	Code	Standard Pack	Standard weight in kg	Standard volume in m ³
	00338	18 u	5,7	0,021

Pool floor return inlet for prefabricated pools

ASTRALPOOL


DESCRIPTION

 Return nozzle. Comes with gaskets, flanges and screws. Adjustable flow rate. Max. flow rate: 12 m³/h.

	Code	Standard Pack	Standard weight in kg	Standard volume in m ³
2" outer thread and internal Ø 50 mm				
White	00340	12	5,4	0,020
Beige	00340CL090	12	5,4	0,020
Light Grey	00340CL129	12	5,4	0,020
Anthracite Grey	00340CL144	12	5,4	0,020

To be glued Ø 63 mm PN 6 outer wall, Ø 50 mm inner

White	20139	12	5,4	0,021
-------	-------	----	-----	-------


 Complies with Standards
EN 16582-1
EN 16713-2

BCN03 pool floor return inlet

ASTRALPOOL


DESCRIPTION

 Adjustable pool floor return inlet for liner pools. Designed to be glued to the inside of PN6 and PN10 piping. Made of white ABS, with self-tapping screws or with metal inserts. Plastic or stainless steel flange, depending on the model. Maximum flow rate: 9.5 m³/h.

	Code	Standard Pack	Standard weight in kg	Standard volume in m ³
PN6, with self-screw	28230	12	3,25	0,031
PN6, with inserts	28231	12	3,55	0,031
PN10, with inserts and stainless steel flange	28502	12	4,54	0,031


 Complies with Standards
EN 16582-1
EN 16713-2

Liner and prefabricated pool - Inlets

BCN03 adjustable pool floor

return inlet



DESCRIPTION

Pool floor return inlet for liner pools. Thanks to the adjustable feature, its installation in the pool floor is made extremely easy as it can be fitted after the concrete has been laid with wall conduit 43590.

	Code	Standard Pack	Standard weight in kg	Standard volume in m ³
With plastic flange inserts	43586	12	2.04	0.033
Plastic self-tapping flange	43587	12	2.04	0.033
With stainless steel flange inserts	43588	12	2.04	0.033
Self-tapping stainless steel flange	43589	12	2.04	0.033



Ø 90 mm wall conduit



DESCRIPTION

PVC wall conduit. Cutting area of 120 mm for fitting it to the pool wall or floor. Ø 63 or Ø 75 connection, as required.

For inlets:

Net'N'Clean: 43584

BCN 03: 43586 - 43587 - 43588 - 43589

Return inlet/suction nozzle for high flow rates: 41518 - 41519 - 41520 - 41521

	Code	Standard Pack	Standard weight in kg	Standard volume in m ³
Ø 90/Ø 63-Ø 75 mm wall conduit	43590	9	7.3	0.033

3" adjustable pool floor

return inlet



DESCRIPTION

Made of white ABS. Suction. Comes with gaskets, flanges and screws. Flow rate adjusted by turning the grille. Suction surface area: 0.015 m². Flow rate at 0.4 m/s: 20 m³/h. Max. recommended flow rate: 26 m³/h. (0.5 m/s).

	Code	Standard Pack	Standard weight in kg	Standard volume in m ³
Grille in AISI-304 Stainless Steel	08316	2	2.65	0.047
Grille in white ABS	11795	2	2.65	0.047

Suction nozzle

for prefabricated pools



DESCRIPTION

Outer 2" thread, internal Ø 50 mm. Made of white ABS. Comes with plug, gaskets and screws. Recommended for installation with wall conduit 15663.

	Code	Standard Pack	Standard weight in kg	Standard volume in m ³
Standard return inlet				
White	00332	12	4.22	0.020
Beige	00332CL090	12	5.4	0.020
Light Grey	00332CL129	12	5.4	0.020
Anthracite Grey	00332CL144	12	5.4	0.020



00332



00332CL090



00332CL129



00332CL144



Liner and prefabricated pool - Inlets



Suction nozzle

for panel pools



Complies with Standards
EN 16582-1
EN 16713-2

DESCRIPTION

For installation in panel pools between 10 and 15 cm thick. Comes with gaskets. Connections: To be glued to Ø 50 mm piping and 1½" BSP thread.

Code	Standard Pack	Standard weight in kg	Standard volume in m³
33092	8	3.35	0.021

Return nozzle

for liner pools



Complies with Standards
EN 16582-1
EN 16713-2

DESCRIPTION

Made of ABS. Comes with gaskets, flanges and screws. Connections: outer 2" thread and Ø 50 mm inner.

Code	Standard Pack	Standard weight in kg	Standard volume in m³	
White	17382	20	6.0	0.020
Beige	17382CL090	20	6.0	0.020
Light Grey	17382CL129	20	6.0	0.020
Anthracite Grey	17382CL144	20	6.0	0.020

Suction nozzle



Complies with Standards
EN 16582-1
EN 16713-2

DESCRIPTION

Outer 2" thread, Ø 50 mm inner wall. For prefabricated pools. Made of ABS. Comes with 1½" threaded plug.

Code	Standard Pack	Standard weight in kg	Standard volume in m³	
White	00336	24	4.13	0.020
Beige	00336CL090	24	4.13	0.020
Light Grey	00336CL129	24	4.13	0.020
Anthracite Grey	00336CL144	24	4.13	0.020

Liner and prefabricated pool - Inlets

Double gasket kit



DESCRIPTION

Kit made up of a double gasket and the screws necessary for the installation of nozzles in panel pools. Made of TPE, the kit enables the installation of various accessories in pool shells and protects the panelling from coming into contact with water. Easy to install. Prevents corrosion of the panelling in the area that has been die cut.

We recommend to place this Kit on panel pools of metal sheet in nozzles 00330; 00332; 17382; 17383 and 56499.

	Code	Standard Pack	Standard weight in kg	Standard volume in m ³
Inserts for nozzles	43455-0500	80	-	0.035



Return inlet/suction nozzle for high flow rates



DESCRIPTION

Return inlet for large flow rates that can also be used as a suction nozzle. Maximum suction flow rate of 30m³/h for a maximum flow rate speed of 4 m/s. Maximum suction flow rate of 5 m³/h for a maximum flow rate speed of 0.5 m/s. PVC body. Connection for Ø 75 or Ø 90 mm pipe. Inlets can be installed into bushing 43590 (see page 141). Grille can be adjusted in any direction.

	Code	Standard Pack	Standard weight in kg	Standard volume in m ³
Panel pools	41518	10	5.50	0.021
Prefabricated pools	41521	12	4.20	0.021



Return nozzle



DESCRIPTION

2" outer thread, 1½" inner thread. Made of white ABS.

	Code	Standard Pack	Standard weight in kg	Standard volume in m ³
Standard inlet	06484	30	4.3	0.021



Liner and prefabricated pool - Inlets

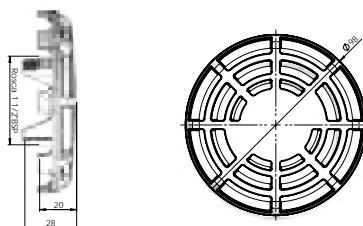
Lateral nozzle



DESCRIPTION

Specially designed for polyester pools. Main-drain / nozzle that should be installed in the wall of the pool in the deepest area of the pool. Installation with 2" thread, gasket and nut. Made of ABS. Flow rate : 6m³/h.

	Code	Standard Pack	Standard weight in kg	Standard volume in m³
White	74121	24	4.5	0.021
Beige	74121CL090	24	4.5	0.021
Light Grey	74121CL129	24	4.5	0.021
Anthracite grey	74121CL144	24	4.5	0.021



Hydromassage kit



DESCRIPTION

Made up of a return inlet and wall conduit fitted with an air inlet and a venturi. Two wall conduit lengths available. Ø 50 mm water connection pipe and Ø 20 mm air suction pipe.

	Code	Standard Pack	Standard weight in kg	Standard volume in m³
Hydromassage kit for prefabricated polyester pools:				
Length of wall conduit 190 mm				
White	32114	12	3.5	0.021
Beige	32114CL090	12	3.5	0.021
Light grey	32114CL129	12	3.5	0.021
Anthracite Grey	32114CL144	12	3.5	0.021
Length of wall conduit 275 mm				
White	32384	10	3.4	0.021
Beige	32384CL090	10	3.4	0.021
Light grey	32384CL129	10	3.4	0.021
Anthracite Grey	32384CL144	10	3.4	0.021
Hydromassage kit for prefabricated pools with liner:				
Length of wall conduit 190 mm				
White	32115	12	3.5	0.021
Beige	32115CL090	12	3.5	0.021
Light grey	32115CL129	12	3.5	0.021
Anthracite Grey	32115CL144	12	3.5	0.021
Length of wall conduit 275 mm				
White	32385	8	3.5	0.021
Beige	32385CL090	8	3.5	0.021
Light grey	32385CL129	8	3.5	0.021
Anthracite Grey	32385CL144	8	3.5	0.021

Adjustable air impulsion inlet



DESCRIPTION

For air distribution by means of the blowers. Maximum flow rate 18 m³/h.

	Code	Standard Pack	Standard weight in kg	Standard volume in m³
	49818	12	4.24	0.021



Liner and prefabricated pool - Stainless Steel Inlets



Return inlet with Ø 20mm ball for liner pool



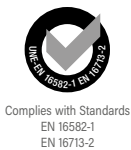
DESCRIPTION

1½" external thread. Manufactured in AISI-316L stainless steel. Ø 20 mm ball. Comes with gaskets and screws. Maximum recommended flow of 4.5 m³/hour according to EN 16582-1 and EN16713-2 standards if installed at a maximum of 500 mm below pool water level.

Code	Standard Pack	Standard weight in kg	Standard volume in m³
16327	1	0.5	0.001



Return inlet with Ø 25 mm ball for liner pool



DESCRIPTION

1½" external thread. Manufactured in AISI-316L stainless steel. Ø 25 mm ball. Comes with gaskets and screws. Recommended flow rate: 7 m³/h.

Code	Standard Pack	Standard weight in kg	Standard volume in m³
69877	1	0.5	0.001



Adapter for pool wall conduits



DESCRIPTION

1½" external thread. Manufactured in AISI-316L stainless steel. For adapting concrete pool bushings to prefabricated pool ones. Must be used with stainless steel inlet 16331, 69878.



Code	Standard Pack	Standard weight in kg	Standard volume in m³
26171	1	0.2	0.001



Bushing return inlet with Ø20 ball for liner pool



DESCRIPTION

Manufactured in AISI-316L stainless steel. Fits to 00344 and 00345 bushings and adapts to converter 26171. Comes with gaskets and screws. Install at a maximum of 500 mm below water level. Ball fitted using screws. Recommended flow rate: 4.5 m³/h.



Code	Standard Pack	Standard weight in kg	Standard volume in m³
16331	1	0.3	0.001

Liner and prefabricated pool - Stainless Steel Inlets

Bushing return inlet with Ø25 ball for liner pool



DESCRIPTION

Manufactured in AISI-316L stainless steel. Fits to 00344 and 00345 bushings and adapts to converter 26171. Comes with gaskets and screws. Ball fitted using screws. Recommended flow rate: 7 m³/h.



Complies with Standard
EN 13451-1-3



Complies with Standards
EN 16582-1
EN 16713-2

Code	Standard Pack	Standard weight in kg	Standard volume in m³
69878	1	0.3	0.001

Adjustable pool floor return inlet



DESCRIPTION

2" external thread. Made of AISI-316L stainless steel. Can be fitted in concrete and prefabricated pools. The water flow can be adjusted by loosening or tightening the central screw. Max. recommended flow rate compliant with standard EN 13451-3: 14 m³/h.



Complies with Standard
EN 13451-1-3



Complies with Standards
EN 16582-1
EN 16713-2

Code	Standard Pack	Standard weight in kg	Standard volume in m³
15839	1	0.9	0.002

Suction nozzle for liner pools



DESCRIPTION

In AISI-316L stainless steel. Comes with sealing gaskets, flange and screws. With 1½" outer thread. Push-fit connection 06584 is needed.



Complies with Standard
EN 13451-1-3



Complies with Standards
EN 16582-1
EN 16713-2

Code	Standard Pack	Standard weight in kg	Standard volume in m³
16330	1	0.5	0.001

Liner and pref. pool - Stainless Steel Embellishers for ABS

Stainless Steel embellisher for Skimmers



DESCRIPTION

AISI-316L embellishers for ABS skimmers. Includes flange, screws and gaskets.



	Code	Standard Pack	Standard weight in kg	Standard volume in m ³
ABS standard mouth skimmers items 01461 (15L), 01462 (15L), 11309 (17.5L), 11310 (17.5L)	56344	1	1.5	0.004
ABS wide mouth skimmers items 01463 (15L), 01464 (15L), 11311 (17.5L), 11313 (17.5L)	56340	1	1.87	0.005
ABS skimmer NORM item 56176	74101	1	1.76	0.001

Stainless Steel embellisher for main drain



DESCRIPTION

AISI-316L embellishers for ABS main drains. It includes screws.



	Code	Standard Pack	Standard weight in kg	Standard volume in m ³
ABS main drain 00270	69173	1	1.44	0.001
ABS main drain 00271	69174	1	1.21	0.003

Stainless Steel embellisher for inlets



DESCRIPTION

AISI-316L embellishers for ABS inlets. Includes flange, screws and gaskets.



	Code	Standard Pack	Standard weight in kg	Standard volume in m ³
ABS return inlet items 00330 and 56499	69171	1	0.31	0.001
ABS suction inlet item 00332	69172	1	0.41	0.001
ABS return inlet code 56499 and 00330	74525	1	0.38	0.001

Compatible with:
 ABS return inlet items 00330 and 56499
 ABS suction inlet item 00332
 ABS return inlet code 56499 and 00330

Liner and prefabricated pool - Wall bushings

Wall conduits in ABS



DESCRIPTION

Range of 300 mm long conduits for Ø 2" inlets and Multiflow that can be cut to different lengths, depending on the thickness of the pool wall. Made of ABS. The ribs of the end plates have holes for fitting the wall conduit to the pool structure, which makes assembly straightforward. The inlet's end plate ensures that it fits flush to the pool wall so that the liner remains flat against the wall and does not swell. This system is aesthetically pleasing as only the face plate can be seen.

	Code	Standard Pack	Standard weight in kg	Standard volume in m ³
Wall conduit with 2" rear male thread and Ø 50 mm smooth inner wall				
2" front female thread for nozzles with 2" male thread	15663	12	4.0	0.040
2" front female thread for nozzle with code number 06498 only	15664	14	4.2	0.040
Wall conduit with smooth Ø 63 mm rear connection and smooth Ø 50 mm inner wall				
2" front female thread for nozzles with 2" male thread	15662	12	5.0	0.040
2" front female thread for nozzle 06498 only	15665	14	5.4	0.040

Wall conduits in PVC



	Code	Standard Pack	Standard weight in kg	Standard volume in m ³
Grey PVC. 150 mm long				
2" outer thread + Ø 50 mm inner, 2" inner thread	00322	40	8.2	0.040
Grey PVC. 300 mm long				
2" female and male thread connection	00323	20	8.9	0.040
2" rear male thread pipe connection or smooth inner wall for MINI projector (33684)	00324	20	8.5	0.040
2" outer thread + Ø 50 mm inner, 1½" inner thread	00325	20	8.4	0.040
2" outer thread + Ø 50 mm inner wall. Ø 50 mm inner wall specially for nozzles with code numbers 00289, 07957, 00304, 00305 and 00306	00326	20	8.4	0.040

Wall conduits in Stainless Steel



DESCRIPTION

Made in stainless steel. AISI-304L. Both ends have a 1½" female thread. With an equipotential outlet. For inlet 16331 (see page 146).

	Code	Standard Pack	Standard weight in kg	Standard volume in m ³
Length 240 mm	00344	1	0.7	0.003
Length 340 mm	00345	1	0.9	0.005

Liner and pref. pool - Floating skimmer

Floating skimmer



DESCRIPTION

Diameter 160 mm. Maximum flow rate: 5 m³/h. Ø 32 mm and Ø 38 mm outer connections. With plastic support clamp designed for panel pools.

	Code	Standard Pack	Standard weight in kg	Standard volume in m ³
	16573	1	1.3	0.024

Pool shell equipment packs

Pool shell equipment packs



DESCRIPTION

Pack made up of: 2 skimmers, 3 multifold return inlets, 1 suction nozzle, 1 round main drain.

	Code	Standard Pack	Standard weight in kg	Standard volume in m ³
Pack for concrete pools	74349	1	5.20	0.074
Pack for liner pools	74350	1	10.78	0.158

Pack for concrete pools Contains the following products:				
	00249 x 2	56379 x 1	24413 x 3	24415 x 1
Pack for liner pools Contains the following products:				
	01464 x 2	56382 x 1	56381 x 3	00332 x 1

Liner and pref. pool - Interchangeable accessories

Interchangeable

pool basin equipment

DESCRIPTION

Bushing, return inlet, suction nozzle, flange assembly to be installed in concrete, prefabricated and liner pools. The measurements of each item make it possible to interchange them with the stainless steel sets. The inlets can be installed in any bushing with a 1/2" BSP thread. There is a flange set to install the inlets in pools with a liner. All items mainly made in plastic (ABS), except screws and gaskets. Each item can be assembled with the stainless steel sets. Interchangeable stainless steel/plastic codes.

	Code	Standard Pack	Standard weight in kg	Standard volume in m ³
S. S. interchangeable return inlet	49758	1	0.33	0.021
ABS interchangeable return inlet				
White	49754	50 u	4.84	0.021
Beige	49754CL090	50 u	4.84	0.021
Light grey	49754CL129	50 u	4.84	0.021
Anthracite grey	49754CL144	50 u	4.84	0.021
ABS interchangeable return inlet circular vent	52681	50	4.84	0.021
Stainless Steel interchangeable suction nozzle	49759	1	0.16	0.021
ABS interchangeable suction nozzle				
White	72672	50 u	4.84	0.021
Beige	72672CL090	50 u	4.84	0.021
Light grey	72672CL129	50 u	4.84	0.021
Anthracite grey	72672CL144	50 u	4.84	0.021
S. S. interchangeable flange inlet set	49760	1	0.16	0.021
ABS interchangeable flange inlet set	49756	50 u	4.84	0.021
Interchangeable bushing inlet set S. S. for threading	49761	1	0.70	0.021
Interchangeable bushing inlet set ABS for threading	49757	9	2.93	0.021
Interchangeable bushing inlet set ABS for gluing	49832	9	2.93	0.021

				
	Return nozzle	Suction nozzle	Flange	Wall conduits
Stainless Steel	49758	49759	49760	49761
ABS	49754 52681*	72672	49756	49757 49832**

* Circular vent ** To glue

COMMERCIAL POOLS

POOL SHELL EQUIPMENT



792 CONCRETE POOL

- 792 Main Drains
- 795 Main Drains accessories
- 796 Main drain grilles
- 797 ABS Inlets
- 799 Stainless Steel Inlets

800 LINER AND PREFABRICATED POOL

- 800 Main drains
- 803 Main drains accessories
- 803 Main drain grilles
- 804 ABS Inlets
- 806 Stainless Steel Inlets

Concrete pool - Main drains

Pool main drains information

How affects UNE-EN 13451-3:2012+A3:2016 main drains in commercial pools

NEW POOL	POOL RENOVATION
----------	-----------------

Suction rate: insure a maximum of 0.5 m/s paragraph 4.6.1

	ANTI-VORTEX COVER	NON ANTI-VORTEX COVER	WITH MAIN DRAIN BODY CHANGE	UNCHANGED MAIN DRAIN BODY
RISK OF ENTRAPMENT How to prevent it?	Number of main drains per pool: 1 According to paragraph 4.6.1b (1,2 and 3)	Number of main drains per pool: 2 balanced main drains, distanced at minimum 2 meters. And if any of the 2 main drain is blocked the remaining one should be able to absorb 100% of the installation flow. According to paragraph 4.6.1a (1,2 and 3)	Applies new pool rules	Install an anti-vortex grille on pre-installed main drain According to paragraph 4.6.1b (1,2 and 3) or one or more additional main drain shall be installed as paragraph 4.6.1a (1,2 and 3)

Another possibility is to install a compensating tank.

CAVITY DIMENSION Main drain should respect a certain cavity dimensions according to a mathematical rule.

In addition to the main drain requirements a vacuum system may be provided.

OTHERS Other requisites are considered to define that a main drain in compliant with EN, like design. e.g. the design of the grill to avoid human body parts or hair entrapment.

Only with the fulfillment of all requisites of the standard, a Compliance Certification can be delivered!

*Anti-vortex plate is a special component installed in the suction line to control the turbulence in a flowing fluid. These plates allows to control the velocity of the fluid thus preventing cavitation in the fluid according to UNE-EN 13451-3.

Concrete pool - Main drains

- All main drains in the range are supplied with UV protection.
- To prevent the risk of suction, install the main drains according to local regulations.
- Recommended use: Maximum suction rate of 0.5 m/s.
- Install at least 2 main drains, each with a suction capacity able to handle the pool's full flow rate.

NORM main drain

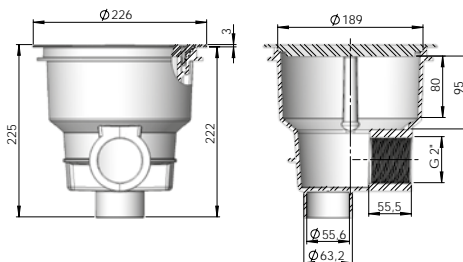
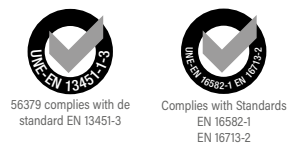


DESCRIPTION

Range of main drains suitable for public and private swimming pools. Supplied with flat or antivortex grilles. Manufactured in ABS with UV treatment, fitted with a 2" side outlet and a 1½" bottom outlet connection, bottom outlet covered by semi-die cut tab.

	Code	Standard Pack	Standard weight in kg	Standard volume in m³
Flat grating				
White	56378	4	10.60	0.069
Beige	56378CL090	4	10.60	0.069
Light Grey	56378CL129	4	10.60	0.069
Anthracite Grey	56378CL144	4	10.60	0.069
Antivortex grating				
White	56379	4	10.60	0.069
Beige	56379CL090	4	10.60	0.069
Light Grey	56379CL129	4	10.60	0.069
Anthracite Grey	56379CL144	4	10.60	0.069

Also available in other colours



Main drain with square cover in stainless steel. 2" outlet



DESCRIPTION

2" side outlet. Manufactured in stainless steel. AISI-316. Antivortex lid. Can be used in concrete and prefabricated pools with a 00276 adapter (see page 133). Maximum flow rate: 6 m³/h.

	Code	Standard Pack	Standard weight in kg	Standard volume in m³
	00269	1	1.14	0.01

Concrete pool - Main drains



NORM main drain

in polyester and fibreglass - 330 mm x 330 mm



DESCRIPTION

Range of main drains manufactured in polyester resin and fibreglass. Grille in stainless steel AISI-316L. Optional hydrostatic valve. Minimum depth of installation: 1.5 m. Maximum recommended flow rate down drain: 103 m³/h (0.5 m/s).



Complies with Standard EN 13451-1/3 2012

	Code	Standard Pack	Standard weight in kg	Standard volume in m ³
Outlet connection to be glued	Flow rate			
Ø 75 mm	15 m ³ /h	20282N	1	8
Ø 90 mm	23 m ³ /h	20283N	1	9
Ø 110 mm	27 m ³ /h	20284N	1	10

Main drain

in polyester and fibreglass - 330 mm x 330 mm



DESCRIPTION

With a gelcoat finish. With optional hydrostatic valve. Maximum recommended flow rate in accordance with standard EN 13451-1.



Optional standard American size and antivortex in standard American size

	Code	Standard Pack	Standard weight in kg	Standard volume in m ³
Grille in stainless steel AISI-316L. Holes < 8 mm				
Outlet connection to be glued	Flow rate			
Ø 75 mm	16 m ³ /h	20282	1	5
Ø 90 mm	22 m ³ /h	20283	1	5
Ø 110 mm	33 m ³ /h	20284	1	5
Grille in ABS plastic with protection against UV rays.				
Outlet connection to be glued	Flow rate			
Ø 75 mm	16 m ³ /h	22359	1	4.5
Ø 90 mm	22 m ³ /h	22360	1	4.5
Ø 110 mm	33 m ³ /h	22361	1	4.5
Ø 125 mm	43 m ³ /h	22362	1	4.5

NORM main drain

in polyester and fibreglass - 507 mm x 507 mm



DESCRIPTION

Range of drains manufactured in polyester resin and fibreglass. Grille in AISI-316L stainless steel. Optional hydrostatic valve. Minimum depth of installation: 1.5 m. Maximum recommended flow rate down drain: 103 m³/h (0.5 m/s).



Complies with Standard EN 13451-1/3 2012

	Code	Standard Pack	Standard weight in kg	Standard volume in m ³
Outlet connection to be glued	Flow rate			
Ø 110 mm	42 m ³ /h	20285N	1	16
Ø 125 mm	51 m ³ /h	20286N	1	17
Ø 140 mm	66 m ³ /h	20287N	1	18
Ø 160 mm	95 m ³ /h	20288N	1	19
Ø 200 mm	103 m ³ /h	20289N	1	20

Optional standard American size

Concrete pool - Main drains

Main drain

in polyester and fibreglass - 507 mm x 507 mm



DESCRIPTION

With a gelcoat finish. With optional hydrostatic valve. Maximum recommended flow rate in accordance with standard EN 13451-1.

	Code	Standard Pack	Standard weight in kg	Standard volume in m ³
Grille in AISI-316L stainless steel. Holes < 8 mm				
Outlet connection to be glued	Flow rate			
Ø 110 mm	33 m ³ /h	20285	1	11.5
Ø 125 mm	43 m ³ /h	20286	1	11.5
Ø 140 mm	54 m ³ /h	20287	1	11.5
Ø 160 mm	70 m ³ /h	20288	1	11.5
Ø 200 mm	100 m ³ /h	20289	1	11.5
Grille in ABS plastic with protection against UV rays.				
Outlet connection to be glued	Flow rate			
Ø 110 mm	33 m ³ /h	28709	1	11.5
Ø 125 mm	43 m ³ /h	28710	1	11.5
Ø 140 mm	54 m ³ /h	28711	1	11.5
Ø 160 mm	70 m ³ /h	28712	1	11.5
Ø 200 mm	100 m ³ /h	28713	1	11.5

Concrete pool - Main drain accessories

Hydrostatic valve



DESCRIPTION

To alleviate the pressure that can build up under the pool shell due to groundwater, it is recommended that a hydrostatic valve and a drainage pipe be fitted to the main drain. Hydrostatic valve to be fitted to the 2" bottom outlet on main drains. Made of white ABS, with stainless steel screw and spring. 1½" male thread..

	Code	Standard Pack	Standard weight in kg	Standard volume in m ³
	00277	50	2.63	0.01

Drainage pipe



DESCRIPTION

Drainage pipe with 1½" BSP thread connection for main drains with code numbers 01466, 27837 and 27839. Made of ABS.

	Code	Standard Pack	Standard weight in kg	Standard volume in m ³
	21581	24	3.54	0.021

Concrete pool - Main drain grilles

Flush-fit antivortex cover



Complies with Standard
EN 13451-1-3

DESCRIPTION

Special flush-fit design that enables pool cleaners to go over it without blocking it up. Smooth slopes.

The 415 mm x 415 mm cover (25344) can be fitted to the following main drains:

With stainless steel grille: With plastic grille:

- | | |
|--------|--------|
| -20282 | -22359 |
| -20283 | -22360 |
| -20284 | -22361 |
| | -22362 |

The 570 mm x 570 mm cover (28556) can be fitted to the following main drains:

With stainless steel grille: With plastic grille:

- | | |
|--------|--------|
| -20285 | -28709 |
| -20286 | -28710 |
| -20287 | -28711 |
| -20288 | -28712 |

	Code	Standard Pack	Standard weight in kg	Standard volume in m ³
415 mm x 415 mm, Height: 70 mm	25344	1	2.25	0.012
570 mm x 570 mm, Height: 60 mm	28556	1	4.00	0.032



Drain grille in stainless steel



DESCRIPTION

Designed for concrete pools. Support frame and grille in polished stainless steel. Supplied with fixing screws. Other sizes can be made to order.

	Code	Standard Pack	Standard weight in kg	Standard volume in m ³
AISI-304				
Size (mm)	Max. recommended flow rate			
200 x 200	15 m ³ /h (0.5 m/s)	00284	1	1.2
300 x 300	43 m ³ /h (0.5 m/s)	00285	1	2.2
400 x 400	83 m ³ /h (0.5 m/s)	00286	1	4.0
500 x 500	136 m ³ /h (0.5 m/s)	00287	1	4.5
AISI-316				
Size (mm)	Max. recommended flow rate			
200 x 200	15 m ³ /h (0.5 m/s)	30764	1	1.2
300 x 300	43 m ³ /h (0.5 m/s)	30765	1	2.2
400 x 400	83 m ³ /h (0.5 m/s)	30766	1	4.0
500 x 500	136 m ³ /h (0.5 m/s)	30767	1	4.5



Complies with Standard
EN 13451-1-3



Complies with Standards
EN 16582-1
EN 16713-2

Concrete pool - ABS Inlets

Return inlet/suction nozzle

for high flow rates



Complies with Standards
EN 16582-1
EN 16713-2

DESCRIPTION

Return inlet for large flow rates that can also be used as a suction nozzle. Maximum suction flow rate of 30m³/h for a maximum flow rate speed of 4 m/s. Maximum suction flow rate of 5 m³/h for a maximum flow rate speed of 0.5 m/s. PVC body. Connection for Ø 75 or Ø 90mm pipe. Inlets can be installed into bushing 43590 (see page 141). Grille can be adjusted in any direction

	Code	Standard Pack	Standard weight in kg	Standard volume in m ³
Return inlet/suction nozzle for large flows and concrete pools	41520	16	4.20	0.021

NORM return inlets

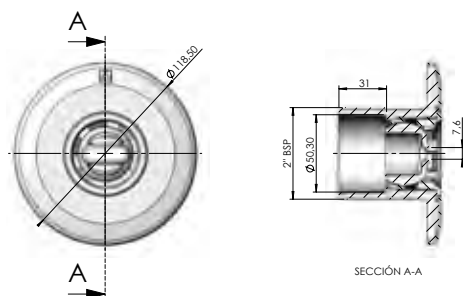


Complies with Standards
EN 16582-1
EN 16713-2

DESCRIPTION

Range of inlets suitable for installation in public and private pools. Manufactured in white ABS with UV treatment.

	Code	Standard Pack	Standard weight in kg	Standard volume in m ³
NORM return inlet for concrete pools	56498	24	4.5	0.020



Pool floor return inlet



Complies with Standards
EN 16582-1
EN 16713-2

DESCRIPTION

All-in-one return inlet and suction nozzle. Adjustable flow rate. Made of ABS plastic and screws in stainless steel. Maximum recommended flow rate compliant with standard EN 13451-1: 12 m³/h.

	Code	Standard Pack	Standard weight in kg	Standard volume in m ³
Outer 2" thread, int. Ø 50 mm				
White	00303	24	5.0	0.020
Beige	00303CL090	24	5.0	0.020
Light Grey	00303CL129	24	5.0	0.020
Anthracite Grey	00303CL144	24	5.0	0.020
To glue onto Ø 63 mm PN 6, inner Ø 50 mm	20140	20	4.4	0.021

Concrete pool - ABS Inlets

3" adjustable pool floor

return inlet



DESCRIPTION

Made of white ABS plastic. Suction. Flow rate adjusted by turning the grille. Suction surface area: 0.015 m². Outer Ø 295 mm wall. Flow rate (0.4 m/s) 20 m³/h. Max. recommended flow rate compliant with standard EN 13451-1: 26 m³/h (0.5 m/s).

	Code	Standard Pack	Standard weight in kg	Standard volume in m ³
Grille in AISI-304 stainless steel	08317	2	2.65	0.047
Grille in white ABS	11796	2	2.65	0.047

Pool floor return inlet

with swivel joint



DESCRIPTION

Swivel body in PVC. Cover in ABS. Adjuster screw in POM. Maximum flow rate of 10 m³/h. Fits to Ø 75 mm piping and wall conduit with code number 21248.

	Code	Standard Pack	Standard weight in kg	Standard volume in m ³
White	22353	24	4.1	0.022
Beige	22353CL090	24	4.1	0.022
Light Grey	22353CL129	24	4.1	0.022
Anthracite Grey	22353CL144	24	4.1	0.022



Complies with Standards
EN 16582-1
EN 16713-2

Suction inlet



DESCRIPTION

To be glued to a Ø 63 mm pipe. Body and grille in ABS plastic, screws in stainless steel. Application on wall. Its characteristics make this nozzle particularly suitable for overflow channels. Maximum flow rate: 4.5 m³/h.

	Code	Standard Pack	Standard weight in kg	Standard volume in m ³
	00302	12	3.1	0.016

Concrete pool - Stainless Steel Inlets

Adjustable pool floor return inlet



DESCRIPTION

2" external thread. Made of AISI-316L stainless steel. Can be fitted in concrete and prefabricated pools. The water flow can be adjusted by loosening or tightening the central screw. Max. recommended flow rate complaint with standard EN 13451-3: 14 m³/h.



Complies with Standard
EN 13451-3



Complies with Standards
EN 16582-1
EN 16713-2

Code	Standard Pack	Standard weight in kg	Standard volume in m ³
15839	1	0.9	0.002



Adjustable return inlet

DESCRIPTION

Manufactured in chrome-plated brass. Grille in AISI-316L stainless steel.



Complies with Standard
EN 13451-3



Complies with Standards
EN 16582-1
EN 16713-2

Code	Standard Pack	Standard weight in kg	Standard volume in m ³	
Max. flow rate: 21 m ³ /h 2" inner thread	00312	12	7.0	0.013
Max. flow rate: 40 m ³ /h 3" inner thread	00313	6	10.0	0.014

Liner and prefab. pool - Main drains

- + All main drains in the range are supplied with UV protection.
- + To prevent the risk of suction, install the main drains according to local regulations.
- + Recommended use: Maximum suction rate of 0.5 m/s.
- + Install at least 2 main drains, each with a suction capacity able to handle the pool's full flow rate.

NORM main drain

ASTRALPOOL



DESCRIPTION

Range of main drains suitable for installation in public and private pools. Supplied with flat or antivortex grilles. Manufactured in ABS with UV treatment, fitted with a 2" side outlet and a 1½" bottom outlet connection, bottom outlet covered by semi-die cut tab.



56382 and 56383
complies with Standard
EN 13451-1-3



Complies with Standards
EN 16582-1
EN 16713-2

	Code	Standard Pack	Standard weight in kg	Standard volume in m ³
Flat grating with inserts				
White	56380	4	10.60	0.069
Beige	56380CL090	4	10.60	0.069
Light Grey	56380CL129	4	10.60	0.069
Anthracite Grey	56380CL144	4	10.60	0.069
Flat grating without inserts				
White	56381	4	10.60	0.069
Beige	56381CL090	4	10.60	0.069
Light Grey	56381CL129	4	10.60	0.069
Anthracite Grey	56381CL144	4	10.60	0.069
Antivortex grating with inserts				
White	56382	4	10.60	0.069
Beige	56382CL090	4	10.60	0.069
Light Grey	56382CL129	4	10.60	0.069
Anthracite Grey	56382CL144	4	10.60	0.069
Antivortex grating without inserts				
White	56383	4	10.60	0.069
Beige	56383CL090	4	10.60	0.069
Light Grey	56383CL129	4	10.60	0.069
Anthracite Grey	56383CL144	4	10.60	0.069

Liner and prefab. pool - Main drains

NORM main drain in polyester and fibreglass - 350 mm x 350 mm



DESCRIPTION

Range of main drains manufactured in polyester resin and fibreglass. Grille in stainless steel. Optional hydrostatic valve. Minimum depth of installation: 1.5 m. Maximum recommended flow rate down drain: 103 m³/h (0.5 m/s).



Complies with Standard EN 13451-1-3



Complies with Standards EN 16582-1

Optional standard American size and antivortex in standard American size

	Code	Standard Pack	Standard weight in kg	Standard volume in m ³
Grille in stainless steel				
Outlet connection to be glued	Flow rate			
Ø 75 mm	15 m ³ /h	20074N	1	8
Ø 90 mm	23 m ³ /h	20075N	1	9
Ø 110 mm	27 m ³ /h	20290N	1	10

NORM main drain in polyester and fibreglass - 507 mm x 507 mm



DESCRIPTION

Range of main drains manufactured in polyester resin and fibreglass. Grille in stainless steel or plastic. Optional hydrostatic valve. Minimum depth of installation: 1.5 m. Maximum recommended flow rate down drain: 103 m³/h (0.5 m/s).



Complies with Standard EN 13451-1-3

Optional standard American size and antivortex in standard American size

	Code	Standard Pack	Standard weight in kg	Standard volume in m ³
Grille in stainless steel				
Outlet connection to be glued	Flow rate			
Ø 110 mm	42 m ³ /h	20076N	1	16
Ø 125 mm	51 m ³ /h	20077N	1	17
Ø 140 mm	66 m ³ /h	20078N	1	18
Ø 160 mm	95 m ³ /h	20079N	1	19
Ø 200 mm	103 m ³ /h	20291N	1	20

Liner and prefab. pool - Main drains

Main drain in polyester and fibreglass - 350 mm x 350 mm



Complies with Standards
EN 16582-1

Optional:
Standard American sizes

DESCRIPTION

Made of fibreglass-reinforced polyester. With a gelcoat finish. Comes with gaskets, flange and screws. Holes < 8 mm. Outlet connection to be glued. With optional hydrostatic valve.

		Code	Standard Pack	Standard weight in kg	Standard volume in m ³
Grille in stainless steel					
Outlet connection to be glued	Flow rate				
Ø 75 mm	16 m ³ /h	20074	1	6.5	0.047
Ø 90 mm	22 m ³ /h	20075	1	6.5	0.047
Ø 110 mm	33 m ³ /h	20290	1	6.5	0.047

Max. recommended flow rate: 33.5 m³/h (0.5 m/s). Recommended flow rate: 20 m³/h (0.3 m/s).

Grille in ABS plastic with protection against UV rays

		Code	Standard Pack	Standard weight in kg	Standard volume in m ³
Outlet connection to be glued	Flow rate				
Ø 75 mm	18 m ³ /h	22416	1	6.5	0.047
Ø 90 mm	27 m ³ /h	22417	1	6.5	0.047
Ø 110 mm	42 m ³ /h	22418	1	6.5	0.047
Ø 125 mm	45 m ³ /h	22419	1	6.5	0.047

Max. recommended flow rate: 45 m³/h (0.5 m/s). Recommended flow rate: 27 m³/h (0.3 m/s)



Main drain in polyester and fibreglass - 507 mm x 507 mm



DESCRIPTION

With a gelcoat finish. Grille in AISI-316L stainless steel. Comes with gaskets, flanges and screws. Holes < 8 mm. Outlet connection to be glued. Recommended flow rate: 62 m³/h (0.3 m/s). Max. recommended flow rate: 103 m³/h (0.5 m/s). With optional hydrostatic valve.

		Code	Standard Pack	Standard weight in kg	Standard volume in m ³
Grille in stainless steel					
Outlet connection to be glued	Flow rate				
Ø 110 mm	42 m ³ /h	20076	1	1.4	0.132
Ø 125 mm	51 m ³ /h	20077	1	1.4	0.132
Ø 140 mm	66 m ³ /h	20078	1	1.4	0.132
Ø 160 mm	95 m ³ /h	20079	1	1.4	0.132
Ø 200 mm	103 m ³ /h	20291	1	1.4	0.132
Grille in ABS plastic with protection against UV rays					
Outlet connection to be glued	Flow rate				
Ø 110 mm	42 m ³ /h	28722	1	1.4	0.132
Ø 125 mm	51 m ³ /h	28723	1	1.4	0.132
Ø 140 mm	66 m ³ /h	28724	1	1.4	0.132
Ø 160 mm	95 m ³ /h	28725	1	1.4	0.132
Ø 200 mm	103 m ³ /h	28726	1	1.4	0.132

Liner and prefab. pool - Main drain accessories

Hydrostatic valve



DESCRIPTION

To alleviate the pressure that can build up under the pool shell due to groundwater, it is recommended that a hydrostatic valve and a drainage pipe be fitted to the main drain. Hydrostatic valve to be fitted to the 2" bottom outlet on main drains. Made of white ABS, with stainless steel screw and spring. 1 1/2" male thread.

Code	Standard Pack	Standard weight in kg	Standard volume in m ³
00277	50	2.63	0.01

Drainage pipe



DESCRIPTION

Drainage pipe with 1 1/2" BSP thread connection for main drains with code numbers 00270, 07880, 27838, 26197 and 27125. Made of ABS.

Code	Standard Pack	Standard weight in kg	Standard volume in m ³
21581	24	3.54	0.021



Complies with Standards EN 16582-1

Liner and prefab. pool - Main drain grilles

Flush-fit antivortex cover



DESCRIPTION

Special flush-fit design that enables pool cleaners to go over it without blocking it up.

The 415 mm x 415 mm cover (25344) can be fitted to the following main drains:

- With stainless steel grille:** -20074, -20075, -20290
- With plastic grille:** -22416, -22417, -22418, -22419

The 570 mm x 570 mm cover (28556) can be fitted to the following main drains:

- With stainless steel grille:** -20076, -20077, -20078, -20079
- With plastic grille:** -28722, -28723, -28724, -28725

Code	Standard Pack	Standard weight in kg	Standard volume in m ³
25344	1	2.25	0.012
28556	1	3.90	0.015

415 mm x 415 mm, Height: 70 mm
570 mm x 570 mm, Height: 60 mm



Complies with Standard EN 13451-1:2000

Liner and prefab. pool - ABS Inlets

NORM return inlets



DESCRIPTION

Range of inlets suitable for installation in public and private pools. Manufactured in ABS with UV treatment.



	Code	Standard Pack	Standard weight in kg	Standard volume in m ³
For prefabricated/liner pools				
White	56499	12	4.5	0.020
Beige	56499CL090	12	4.5	0.020
Light Grey	56499CL129	12	4.5	0.020
Anthracite Grey	56499CL144	12	4.5	0.020
For prefabricated pools				
White	56500	24	4.5	0.020
Beige	56500CL090	24	4.5	0.020
Light Grey	56500CL129	24	4.5	0.020
Anthracite Grey	56500CL144	24	4.5	0.020

Pool floor return inlet for prefabricated pools



DESCRIPTION

Return nozzle. Comes with gaskets, flanges and screws. Adjustable flow rate. Max. flow rate: 12 m³/h.



	Code	Standard Pack	Standard weight in kg	Standard volume in m ³
2" outer thread and internal Ø 50 mm				
White	00340	12	5.4	0.020
Beige	00340CL090	12	5.4	0.020
Light Grey	00340CL129	12	5.4	0.020
Anthracite Grey	00340CL144	12	5.4	0.020
To be glued Ø 63 mm PN 6 outer wall, Ø 50 mm inner				
White	20139	12	5.4	0.021

BCN03 pool floor return inlet



DESCRIPTION

Adjustable pool floor return inlet for liner pools. Designed to be glued to the inside of PN6 and PN10 piping. Made of white ABS, with self-tapping screws or with metal inserts. Plastic or stainless steel flange, depending on the model. Maximum flow rate: 9.5 m³/h.



	Code	Standard Pack	Standard weight in kg	Standard volume in m ³
PN6 self-tapping plastic flange	28230	12	3.25	0.031
With PN6 plastic flange inserts	28231	12	3.55	0.031
PN10 self-tapping stainless steel flange	28501	12	4.24	0.031
With PN10 stainless steel inserts	28502	12	4.54	0.031



Liner and prefab. pool - ABS Inlets

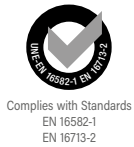


BCN03 adjustable pool floor return inlet



DESCRIPTION

Pool floor return inlet for liner pools. Thanks to the adjustable feature, its installation in the pool floor is made extremely easy as it can be fitted after the concrete has been laid with wall conduit 43590.



	Code	Standard Pack	Standard weight in kg	Standard volume in m ³
With plastic flange inserts	43586	12	2.04	0.033
Plastic self-tapping flange	43587	12	2.04	0.033
With stainless steel flange inserts	43588	12	2.04	0.033
Self-tapping stainless steel flange	43589	12	2.04	0.033



3" adjustable pool floor return inlet



DESCRIPTION

Made of white ABS. Suction. Comes with gaskets, flanges and screws. Flow rate adjusted by turning the grille. Suction surface area: 0.015 m². Flow rate at 0.4 m/s: 20 m³/h. Max. recommended flow rate: 26 m³/h. (0.5 m/s).

	Code	Standard Pack	Standard weight in kg	Standard volume in m ³
Grille in AISI-304 stainless steel	08316	2	2.65	0.047
Grille in white ABS	11795	2	2.65	0.047



Double gasket kit



DESCRIPTION

Kit made up of a double gasket and the screws necessary for the installation of nozzles in panel pools. Made of TPE, the kit enables the installation of various accessories in pool shells and protects the panelling from coming into contact with water. Easy to install. Prevents corrosion of the panelling in the area that has been die cut.

	Code	Standard Pack	Standard weight in kg	Standard volume in m ³
Inserts for nozzles	43455-0500	80	-	0.035



Return inlet/suction nozzle for high flow rates



DESCRIPTION

Return inlet for large flow rates that can also be used as a suction nozzle. Maximum suction flow rate of 30m³/h for a maximum flow rate speed of 4 m/s. Maximum suction flow rate of 5 m³/h for a maximum flow rate speed of 0.5 m/s. PVC body. Connection for Ø 75 or Ø 90 mm pipe. Inlets can be installed into bushing 43590. Grille can be adjusted in any direction.



	Code	Standard Pack	Standard weight in kg	Standard volume in m ³
Panel pools	41518	10	5.50	0.021
Prefabricated pools	41521	12	4.20	0.021

Liner and prefab. pool - ABS Inlets



Suction nozzle for overflow

pools with liner



DESCRIPTION

PVC body. Maximum flow rate of 7 m³/h for a maximum flow rate velocity of 0.5 m/s. Connection for Ø 75 or Ø 90 piping. Nozzle with double gasket. Thanks to the design of the flange, the nozzle is able to take in all of the water in the overflow channel.

Code	Standard Pack	Standard weight in kg	Standard volume in m ³
41519	12	4.83	0.021

Liner and prefab. pool - Stainless Steel Inlets



Adjustable pool floor

return inlet



DESCRIPTION

2" external thread. Made of AISI-316L stainless steel. Can be fitted in concrete and prefabricated pools. The water flow can be adjusted by loosening or tightening the central screw. Max. recommended flow rate complaint with standard EN 13451-3: 14 m³/h.



Complies with Standard
EN 13451-1-3



Complies with Standards
EN 16582-1
EN 16713-2

Code	Standard Pack	Standard weight in kg	Standard volume in m ³
15839	1	0.9	0.002

