



The Value OF Quality

OUR STRATEGY

SEROPCOMP'S CORPORATE VALUES

TEAM SPIRIT AND WORKING FOR COMMON GOALS

SEROPCOMP is not merely a company indeed, its strength comes from a group of motivated individuals who share common corporate values and contribute to the Group's growth.

The basis of our approach is team spirit and the ability to work towards achieving common goals, with a cooperative attitude both inside and outside the company. These common values, together with professionalism and innovation naturally lead to customer satisfaction.

Our management team strives to assure personnel growth by giving staff the opportunity to work with leading international companies in order to develop their professional and personal skills and expertise. Each day, we work with passion and enthusiasm while maintaining an ethically correct conduct with customers and suppliers and in full respect of people and the environment around us.

All SEROPCOMP staff share these core values, which contribute to promoting a pleasant and positive corporate environment.

OUR PRODUCTS

Seropcomp's Vessels Division designs and manufactures a wide range of pressure vessels for compressed air suitable for stand-alone use or integrated into systems.

All pressure vessels are tested according to the target market.

In particular, we offer the complete range of vertical compressed air receivers and horizontal compressed air receivers from 24 litres to 10,000 litres, made of carbon steel.

The range includes:

- *Small-sized vertical and horizontal air vessels
- *High pressure vertical air vessels
- *Vertical vacuum vessels
- *Vertical water tanks for pressurized autoclaves
- *Custom compressed air receivers
- *Vertical air vessels
- *Vertical over-size air vessels
- *Painted horizontal air vessels with legs
- *Vertical and horizontal stainless steel vessels

SEROPCOMP ENGINEERING DEPARTMENT

THE ENGINEERING DEPARTMENT OF SEROPCOMP'S SPE DIVISION AND THE DESIGN AND PRODUCTION OF SPECIAL PRESSURE VESSELS.

Our engineering department designs and develops pressure vessels and adapts them according to current international regulations to maintain the same high quality standards throughout all our facilities worldwide.

OUR CERTIFICATE



OUR CLIENTS



SEROPCOMP

VERTICAL AIR VESSELS

 Electrostatic Painting

Material
Carbon Steel

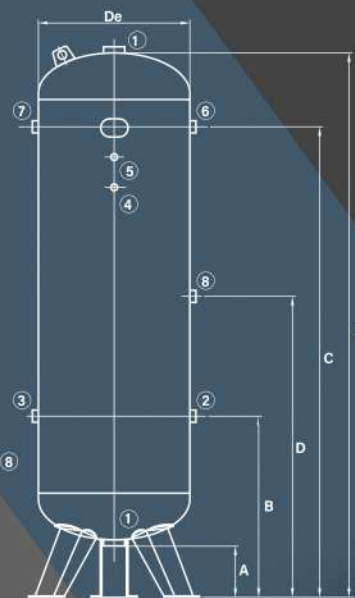
Fluid content
Compressed Air

Treatment

- RAL 5017
- RAL ST3000
- RAL ST1021
- RAL 9005
- RAL 7012



The Value OF Quality



Code	Capacity	Work pressure	De	A	B	C	L	1	2	3	4	5	6	7	weight
	-	bar	mm	mm	mm	mm	mm	inch	inch	inch	inch	inch	inch	inch	kg
SCVP301004	100L	11	370	180	350	1000	1210	1/2"	1/2"	1/2"	-	1/4"	1/2"	1/2"	35
SCVP301005	200L	11	450	175	400	1250	1540	1/2"	1"	1"	-	1/4"	1"	1"	53
SCVP301006	270L	11	600	155	470	920	1300	1/2"	1"	1"	-	1/4"	1"	1"	68
SCVP301007	300L	11	500	170	620	1350	1740	1/2"	1"	1"	-	1/4"	1"	1"	72
SCVP301008	500L	11	600	155	785	1670	2050	1/2"	1"	1"	-	1/4"	1"	1"	125
SCVP301010	1000L	11	800	160	700	1850	2350	1"	2"	2"	-	1/4"	2"	2"	235
SCVP301012	2000L	11	1000	200	770	2280	2850	2"	3"	3"	1/2"	1/2"	3"	3"	410
SCVP301013	3000L	11	1200	200	772	2300	2900	2"	3"	3"	1/2"	1/2"	3"	3"	720

STARTING FROM 100L TO 3000L

 Operating pressure
11 bar

 Tested pressure
16 bar

5 YEARS WARRANTY



seropcomp.com

SEROPCOMP

VERTICAL AIR VESSELS

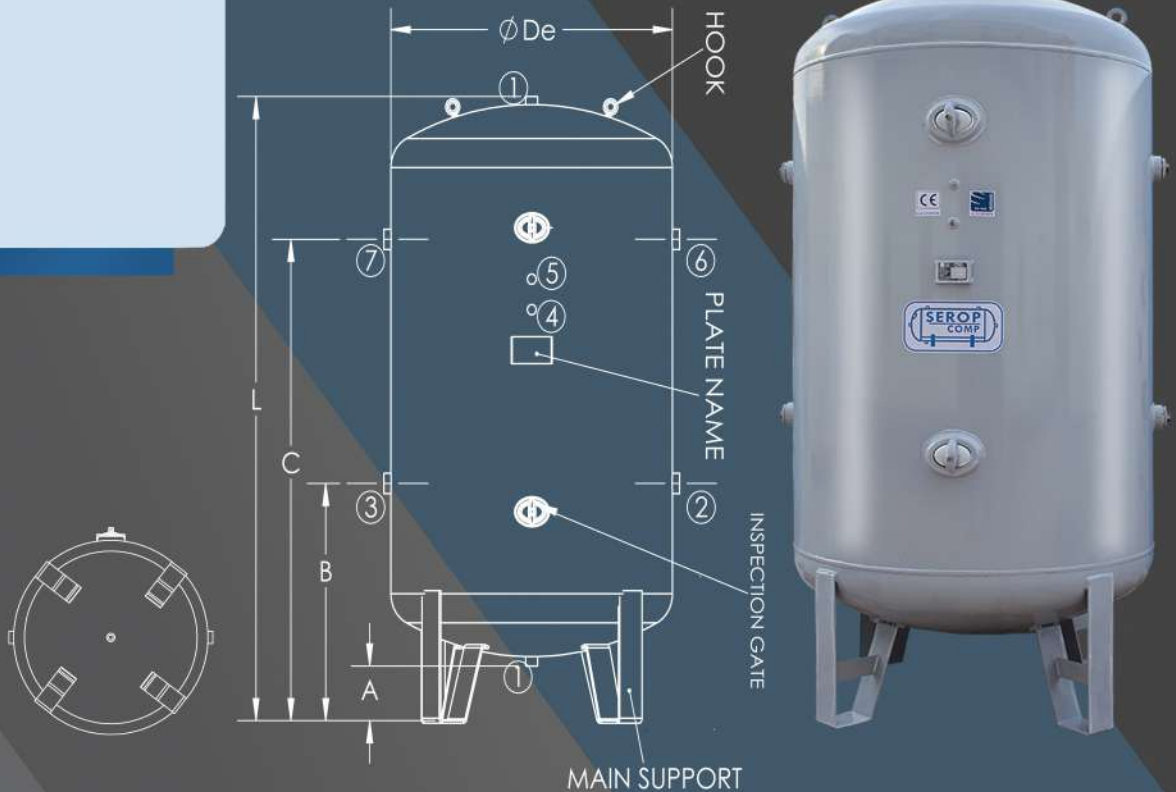
 Epoxy Painting & Galvanized

Material
Carbon Steel

Fluid content
Compressed Air



The Value OF Quality



code	Capacity	Work pressure	De	A	B	C	L	1	2,3	4,5	6,7
		bar	mm	mm	mm	mm	mm	inch	inch	inch	inch
SCVP301014	4000 L	11	1450	300	1160	2320	3000	2"	3"	1/2"	3"
SCVP301016	5000 L	11	1650	320	1220	2400	3100	2"	3"	1/2"	3"
SCVP301017	6000 L	11	1450	300	1160	3220	4000	2"	3"	1/2"	3"
SCVP301019	8000 L	11	1650	320	1220	3500	4250	2"	3"	1/2"	3"
SCVP301020	10000 L	11	1650	320	1220	4300	5100	2"	3"	1/2"	3"

* 2 Inspection gates

* Up on Request :- Man Hole - Horizontal model.

STARTING FROM 4000L TO 10000L

 Operating pressure 11 bar  Tested pressure 16 bar

seropcomp.com

5 YEARS WARRANTY



SEROPCOMP

VERTICAL AIR VESSELS

 Galvanized

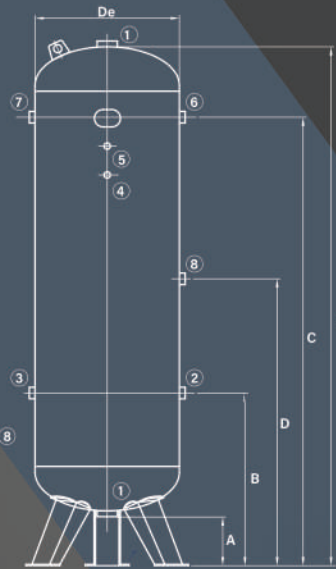
Material
Galvanizable Carbon Steel

Fluid content
Compressed Air

Treatment
Internal and External Treatment
Hot Dip Galvanizing



The Value OF Quality



Code	Capacity	Work pressure	De	A	B	C	L	1	2	3	4	5	6	7	weight
	-	bar	mm	mm	mm	mm	mm	inch	inch	inch	inch	inch	inch	inch	kg
SCVG301004	100L	11	370	180	350	1000	1210	2"	1/4"	-	-	-	1/4"	-	38
SCVG301005	200L	11	450	175	400	1250	1540	2"	1"	1"	-	1/4"	1"	1"	65
SCVG301006	270L	11	600	155	470	920	1300	2"	1"	1"	-	1/4"	1"	1"	70
SCVG301007	300L	11	500	170	620	1350	1740	2"	1"	1"	-	1/4"	1"	1"	75
SCVG301008	500L	11	600	155	785	1670	2050	2"	1"	1"	1/4"	1/4"	1"	1"	130
SCVG301009	900L	11	800	160	700	1750	2150	2"	2"	2"	1/2"	1/4"	2"	2"	225
SCVG301010	1000L	11	800	160	700	1850	2350	2"	2"	2"	1/2"	1/4"	2"	2"	246
SCVG301012	2000L	11	1000	200	770	2280	2850	2"	3"	3"	1/2"	1/2"	3"	3"	416
SCVG301013	3000L	11	1200	200	772	2300	2900	2"	3"	3"	1/2"	1/2"	3"	3"	728

STARTING FROM 100L TO 3000L

 Operating pressure
11 bar

 Tested pressure
16 bar

5 YEARS WARRANTY



seropcomp.com

SEROPCOMP 16 BAR

VERTICAL AIR VESSELS

 Electrostatic Painting

Material
Carbon Steel

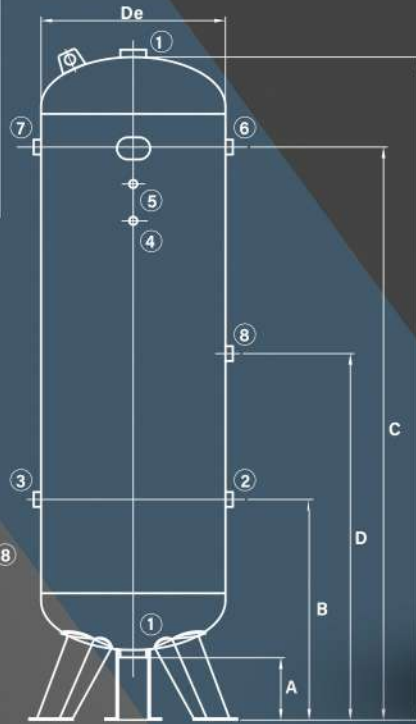
Fluid content
Compressed Air

Treatment

- RAL 5017
- RAL ST3000
- RAL ST1021
- RAL 9005
- RAL 7012



The Value OF Quality



code	Capacity	Work pressure	De	A	B	C	L	1	2	3	4	5	6	7	Weight
	-	bar	mm	mm	mm	mm	mm	inch	inch	inch	inch	inch	inch	inch	kg
SCVP301008	500L	16	600	155	785	1670	2050	3/4"	1/4"	-	1/4"	1/4"	1"	1"	175
SCVP301010	1000L	16	800	160	700	1850	2350	1"	2"	2"	1/2"	1/4"	2"	2"	285
SCVP301012	2000L	16	1000	200	770	2280	2850	2"	3"	3"	1/2"	1/2"	3"	3"	575
SCVP301013	3000L	16	1200	200	772	2300	2900	2"	3"	3"	1/2"	1/2"	3"	3"	895

STARTING FROM 500L TO 3000L

 Operating pressure
16 bar

 Tested pressure
24 bar

5 YEARS WARRANTY



seropcomp.com

SEROPCOMP 42 BAR

VERTICAL AIR VESSELS

 Electrostatic Painting

Material
Carbon Steel

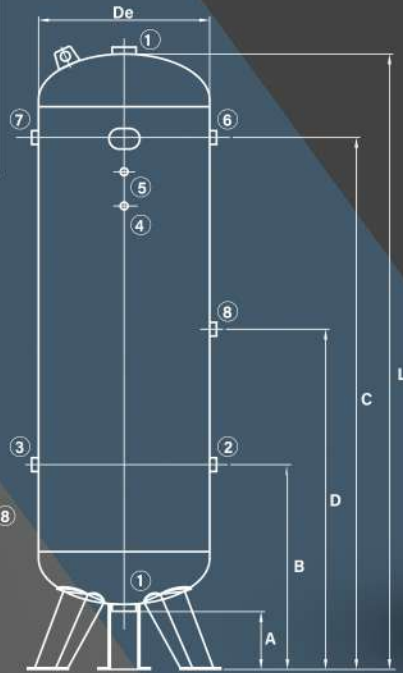
Fluid content
Compressed Air

Treatment

- RAL 5017
- RAL ST3000
- RAL ST1021
- RAL 9005
- RAL 7012



The Value OF Quality



code	Capacity	Work pressure	De	A	B	C	L	1	2	3	4	5	6	7	Weight
	-	bar	mm	mm	mm	mm	mm	inch	inch	inch	inch	inch	inch	inch	kg
SCVP301008	500L	42	600	155	785	1670	2050	1/2"	1"	1	-	1/2"	1"	1"	285
SCVP301010	1000L	42	800	160	700	1850	2350	1"	2"	2"	-	1/2"	2"	2"	500
SCVP301012	2000L	42	1000	200	770	2280	2850	2"	3"	3"	1/2"	1/2"	3"	3"	1030
SCVP301013	3000L	42	1200	200	772	2300	2900	2"	3"	3"	1/2"	1/2"	3"	3"	1664

STARTING FROM 500L TO 3000L

 Operating pressure
42 bar

 Tested pressure
63 bar

5 YEARS WARRANTY



SEROPCOMP

HORIZONTAL AIR VESSELS

 Electrostatic Painting

Material
Carbon Steel

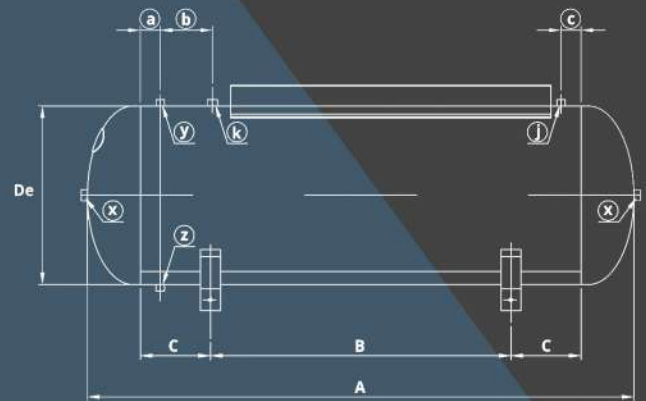
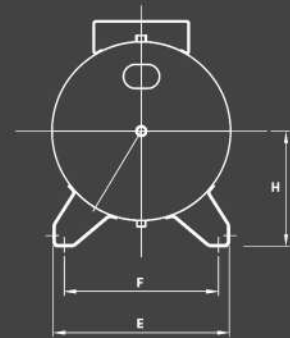
Fluid content
Compressed Air

Treatment

- RAL 5017
- RAL ST3000
- RAL ST1021
- RAL 9005
- RAL 7012



The Value OF Quality



Code	Capacity	Work Pressure	De	A	B	C	E	F	H	a	b	c	x	y	k	j	z	Dimension Base		Weight
																		mm	mm	
SCHP302003	50L	11	300	800	400	100	250	-	220	50	70	-	1/2"	1/4"	1/2"	-	1/4"	210	450	23
SCHP 302004	100L	11	370	1050	550	125	320	-	310	50	80	50	1/2"	1/4"	1/2"	3/8"	1/4"	210	485	35
SCHP 302005	200L	11	450	1400	750	175	390	-	350	100	100	100	1/2"	1/4"	1/2"	1/2"	1/4"	210	485	53
SCHP 302006	270L	11	500	1458	800	175	440	-	370	100	120	100	1/2"	1/4"	1/2"	1/2"	1/4"	210	485	68
SCHP 302007	300L	11	500	1560	900	175	440	-	370	100	120	100	1/2"	1/4"	1/2"	1/2"	1/4"	210	485	72
SCHP 302008	500L	11	600	1850	1200	150	620	560	400	100	150	100	1/2"	1/4"	1"	1/2"	3/8"	280	720	125
SCHP 302011	1000L	11	800	2100	1350	150	820	750	500	100	200	150	1"	1/2"	2"	1/2"	1/2"	280	800	235

STARTING FROM 50L TO 1000L

 Operating pressure
11 bar

 Tested pressure
16 bar

5 YEARS WARRANTY



seropcomp.com

SEROPCOMP

Oil Free AIR VESSELS

 Electrostatic Painting

Material

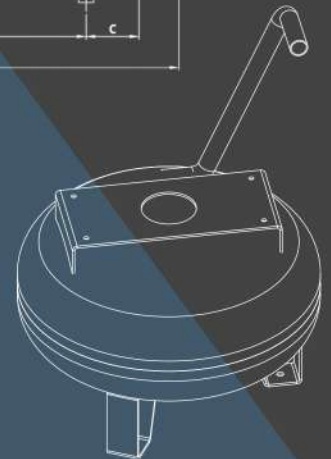
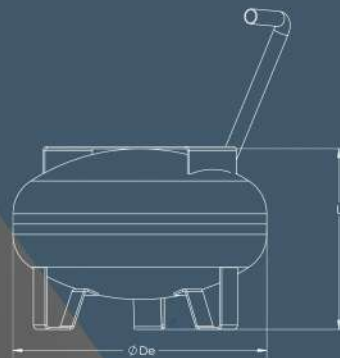
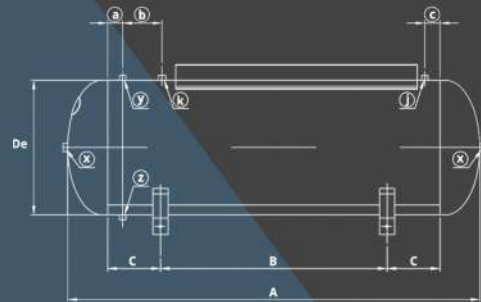
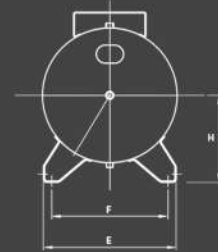
Carbon Steel

Fluid content

Compressed Air



The Value OF Quality



Code	Capacity	Work Pressure	De	A/L	B	C	E	F	H	a	b	c	x	y	k	j	z	Dimension Base	
	Liter	bar																mm	mm
MSHP302003	24	11	370	270	-	-	-	-	-	-	-	-	1/2	1/2	1/2	1/4	-	145	266
MSHP302004	50	11	300	800	400	100	250	-	220	50	70	-	1/2	1/4	3/8	3/8	1/4	145	266
MSHP302005	100	11	370	1050	550	125	320	-	310	50	80	50	1/2	1/4	3/8	3/8	1/4	145	266
MSHP302006	200	11	450	1400	750	175	390	-	350	100	100	100	1/2	1/4	1/2	1/2	1/4	160	306
MSHP302007	300	11	500	1560	900	175	440	-	370	100	120	100	1/2	1/4	1/2	1/2	1/4	160	306

STARTING FROM 24L TO 300L

 Operating pressure
11 bar

 Tested pressure
12 bar

5 YEARS WARRANTY





The Value OF Quality