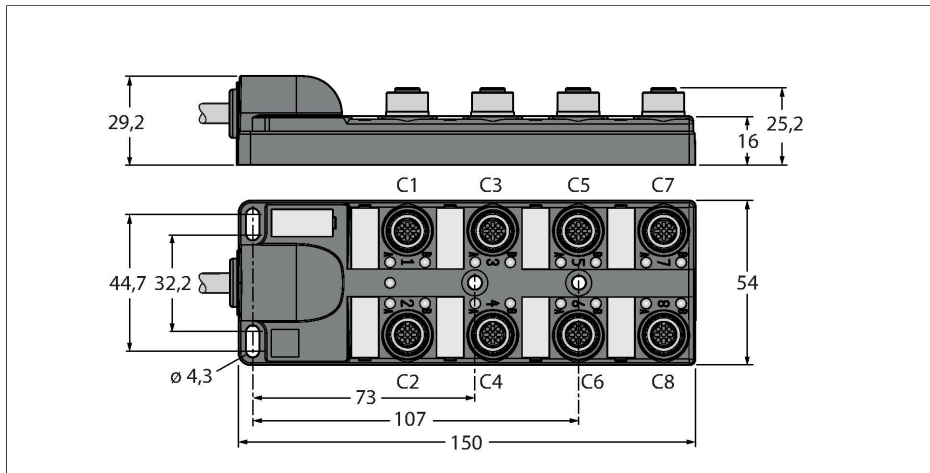


TB-8M12-5P3-5/TXL

Passive Actuator/Sensor Box, M12 × 1 – With Homerun Cable, 8-port



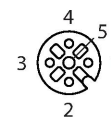
Features



- Housing material: Nylon
- Housing color: black
- Protection class IP67
- RoHS-compliant
- CE compliant
- LED (PNP circuit)
- I/O port (number of pins): 4-pin + PE

Contact assignment

I/O Connector



Technical data

Type	TB-8M12-5P3-5/TXL
ID no.	6611954
Distributed I/O	8, with integral homerun cable
Housing	Plastic, PA, Black
Display operating voltage	LED, green
Display switching state	LED, yellow
Switching function	PNP
I/O port	M12 x 1
Number of Pins	4+PE
Contacts	Brass, CuZn, Gold-plated
Contact carriers	Plastic, PA, Black
Seal	Plastic, FPM/FKM
Mechanical lifespan	> 100 Mating cycles
Group terminal	Cable
Cable diameter	Ø 10.39 mm
Cable length	5 m
Cable jacket	PUR, Black
Core insulation	PVC
Core cross-section	16 x 0.32 mm ²
Cable conductor cross-section	3x 0.82 mm ²
Core colors	VT, RD, GY, GN, BK, WH, PK, YE, RD-BU, GYPK, WHGN, WHYE, WHGY, YEBN, BNGN, GYBN
Core colors	BN, BU, GNYE
Electrical properties at +20 °C	
Rated voltage	30 V

