

Submittal Data

PROJECT:	UNIT TAG:	QUANTITY:
REPRESENTATIVE: _____	TYPE OF SERVICE:	DATE: _____
ENGINEER:	SUBMITTED BY:	DATE:
CONTRACTOR:	APPROVED BY:	DATE:
	ORDER NO.:	DATE:

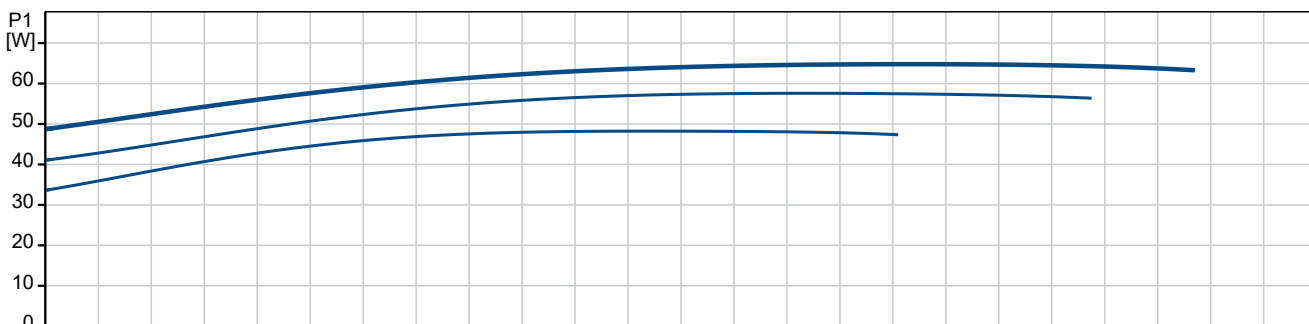
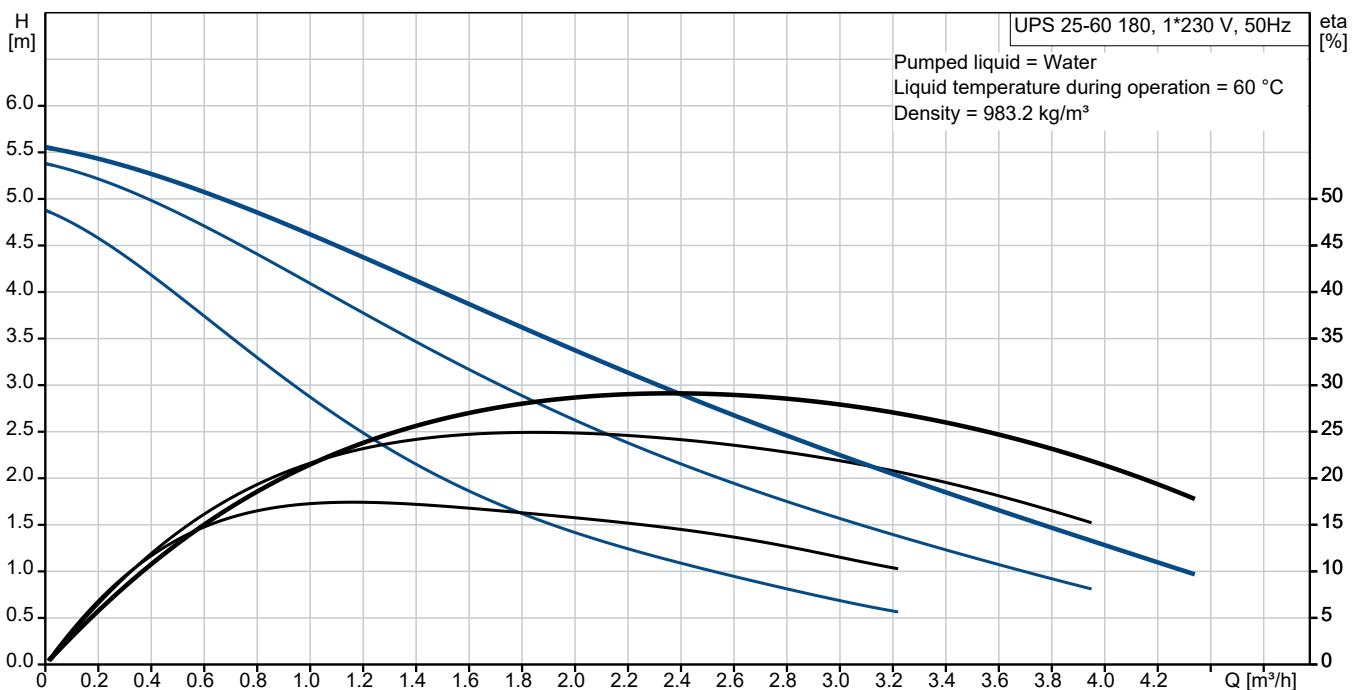


UPS 25-60 180

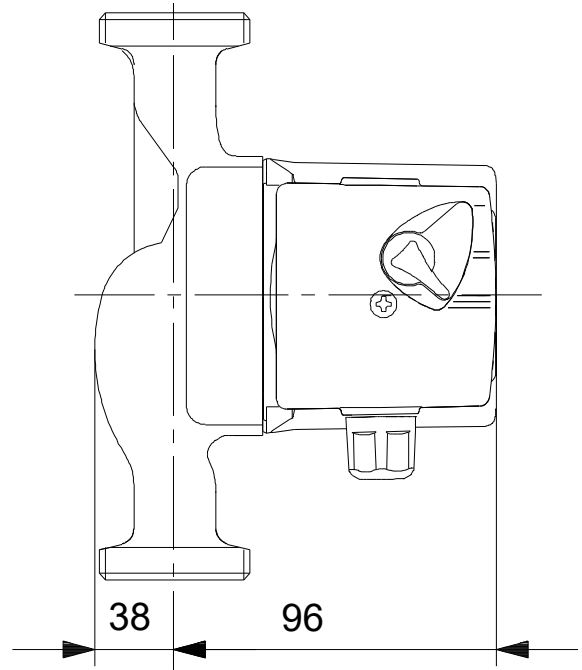
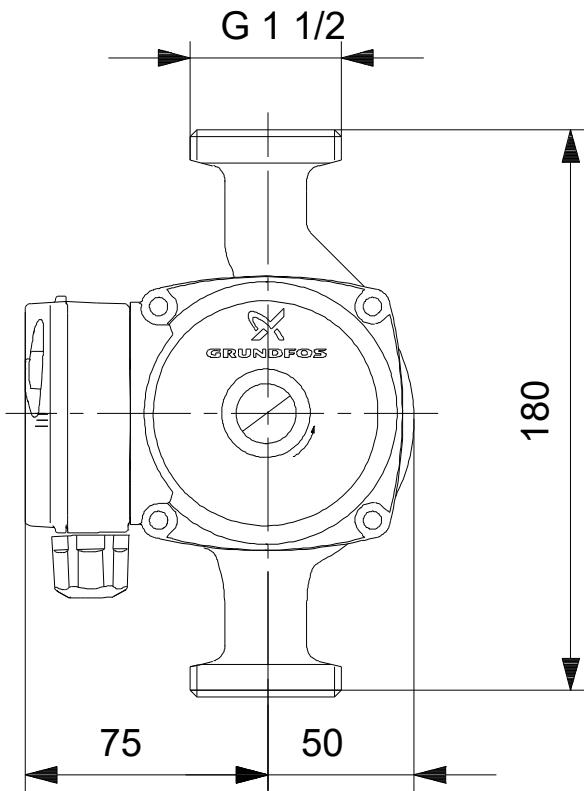
Grundfos UP single-speed circulator pumps are designed for heating systems, while the three-speed UPS circulator pumps are used in central and district heating system while also being suitable for mixing loops in large systems. Both pumps provide reliable and maintenance-free operation.

Note! Product picture may differ from actual product

Conditions of Service		Pump Data		Motor Data	
Liquid:	Water	Liquid temperature range:	2 .. 110 °C	Mains frequency:	50 Hz
Temperature:	60 °C	Maximum ambient temperature:	40 °C	Enclosure class:	IP44
Specific Gravity:	0.985	Product number:	On request	Thermal protection:	Impedance protected



Submittal Data



Materials:

- Pump housing: Cast iron
- Pump housing: ASTM 30 B
- Impeller: Composite

Qty. Description

1 **UPS 25-60 180**



Note! Product picture may differ from actual product

Product No.: On request

The pump is of the canned rotor type, i.e. pump and motor form an integral unit without shaft seal and with only two gaskets for sealing.

The bearings are lubricated by the pumped liquid.

The pump has 3-step speed selector.

The pump is characterized by:

- * Ceramic shaft and radial bearings.
- * Carbon axial bearing.
- * Stainless steel rotor can and bearing plate.
- * Corrosion-resistant impeller, Composite.
- * Cast iron pump housing.

The motor is a 1-phase motor.

No additional motor protection is required.

Liquid:

Pumped liquid: Water
 Liquid temperature range: 2 .. 110 °C
 Selected liquid temperature: 60 °C
 Density: 983.2 kg/m³

Technical:

Rated flow: 2.17 m³/h
 Rated head: 3.17 m
 TF class: 110
 Approvals: VDE,AAA,EAC,RCM

Materials:

Pump housing: Cast iron
 EN 1561 EN-GJL-150
 ASTM 30 B
 Impeller: Composite
 PES+30% GF

Installation:

Range of ambient temperature: 0 .. 40 °C
 Maximum operating pressure: 10 bar
 Type of connection: G
 Size of connection: 1 1/2 inch
 Pressure rating for connection: PN 10
 Port-to-port length: 180 mm

Electrical data:

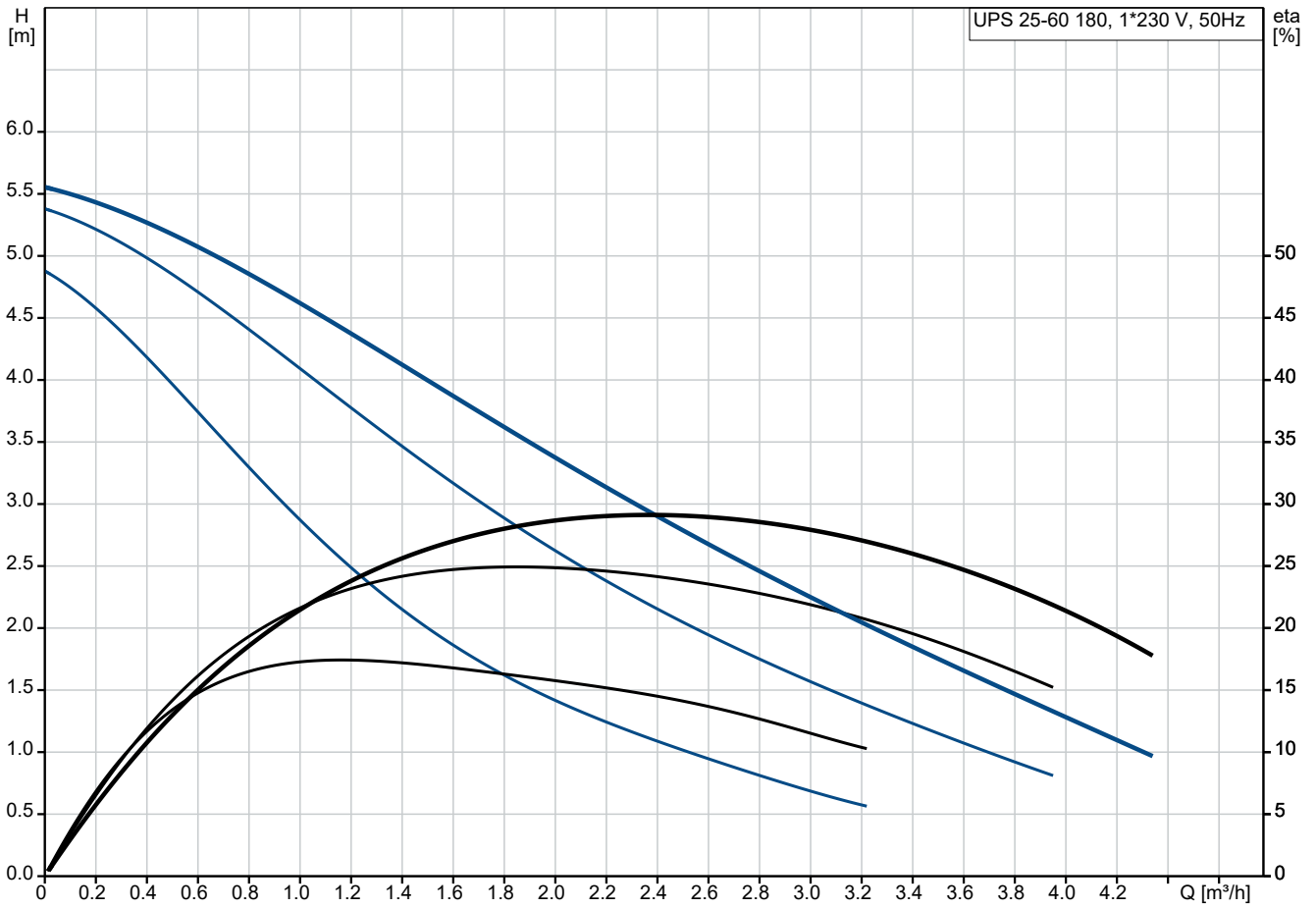
Power input in speed 1: 50 W
 Power input in speed 2: 55 W
 Max. power input: 60 W



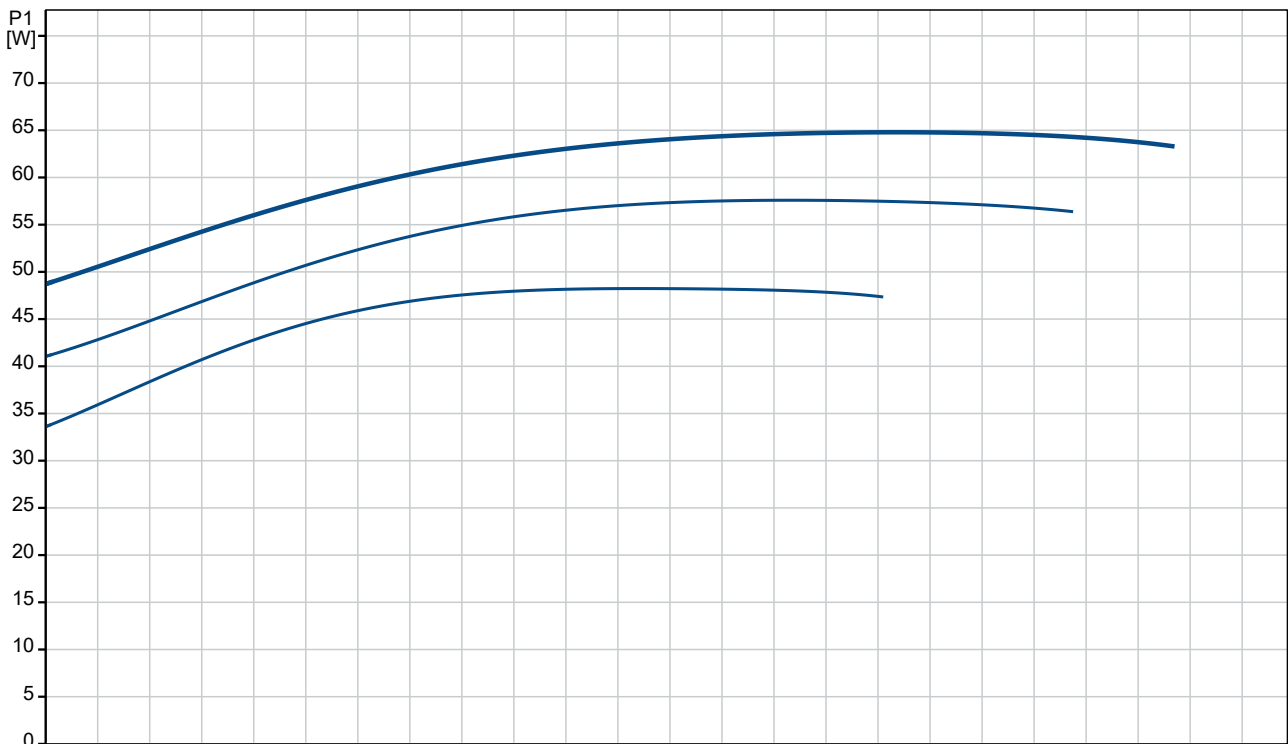
Company name: Al Mawared Engineering & Trading S.A.E (MET)
Created by: Mostafa Mohamed
Phone: 02 26421242 - 01223033998
Email: info@met-eg.com - Almawared@link.net
Date: 08/10/2023

Qty.	Description
1	Mains frequency: 50 Hz Rated voltage: 1 x 230 V Current in speed 1: 0.21 A Current in speed 2: 0.25 A Current in speed 3: 0.28 A Capacitor size - run: 2.5 µF Enclosure class (IEC 34-5): IP44 Insulation class (IEC 85): F Built-in motor protection: NONE Others: Terminal box position: 9H Net weight: 2.67 kg Gross weight: 2.8 kg Shipping volume: 0.004 m ³

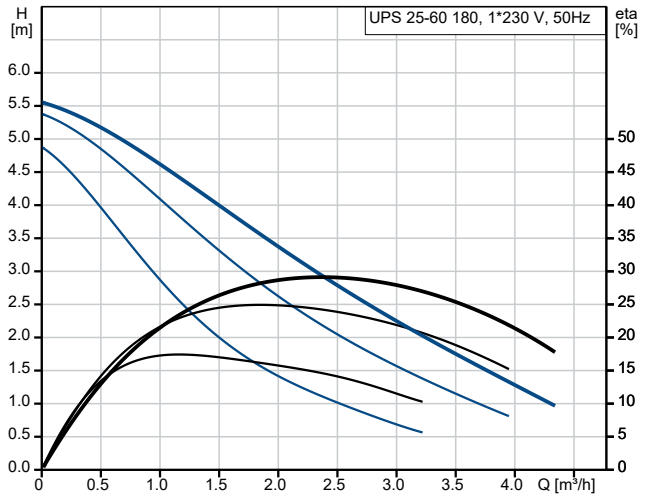
On request UPS 25-60 180 50 Hz



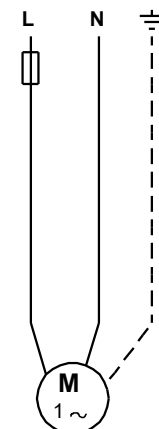
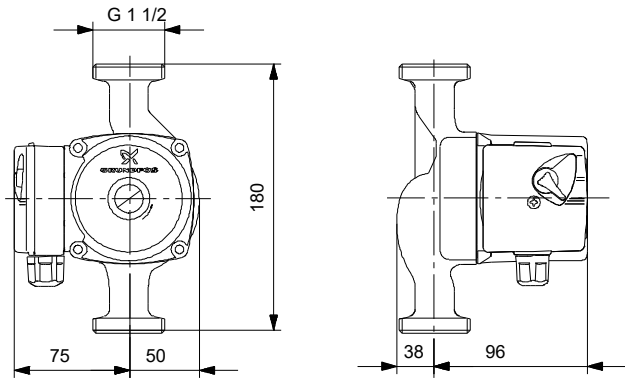
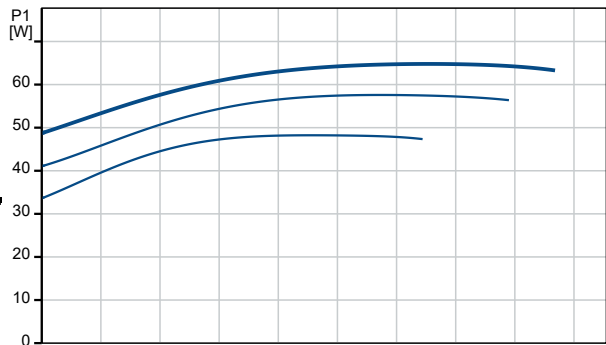
Pumped liquid = Water
 Liquid temperature during operation = 60 °C
 Density = 983.2 kg/m³



Description	Value
General information:	
Product name:	UPS 25-60 180
Product No:	On request
EAN number:	On request
Technical:	
Speed no:	3
Rated flow:	2.17 m ³ /h
Rated head:	3.17 m
Maximum head:	60 dm
TF class:	110
Approvals:	VDE,AAA,EAC,RCM
Materials:	
Pump housing:	Cast iron
Pump housing:	EN 1561 EN-GJL-150
Pump housing:	ASTM 30 B
Impeller:	Composite
Impeller:	PES+30% GF
Installation:	
Range of ambient temperature:	0 .. 40 °C
Maximum operating pressure:	10 bar
Type of connection:	G
Size of connection:	1 1/2 inch
Pressure rating for connection:	PN 10
Port-to-port length:	180 mm
Liquid:	
Pumped liquid:	Water
Liquid temperature range:	2 .. 110 °C
Selected liquid temperature:	60 °C
Density:	983.2 kg/m ³
Electrical data:	
Power input in speed 1:	50 W
Power input in speed 2:	55 W
Max. power input:	60 W
Mains frequency:	50 Hz
Rated voltage:	1 x 230 V
Current in speed 1:	0.21 A
Current in speed 2:	0.25 A
Current in speed 3:	0.28 A
Capacitor size - run:	2.5 µF
Enclosure class (IEC 34-5):	IP44
Insulation class (IEC 85):	F
Built-in motor protection:	NONE
Thermal protec:	Impedance protected
Others:	
Terminal box position:	9H
Net weight:	2.67 kg
Gross weight:	2.8 kg
Shipping volume:	0.004 m ³



Pumped liquid = Water
 Liquid temperature during operation = 60 °C
 Density = 983.2 kg/m³

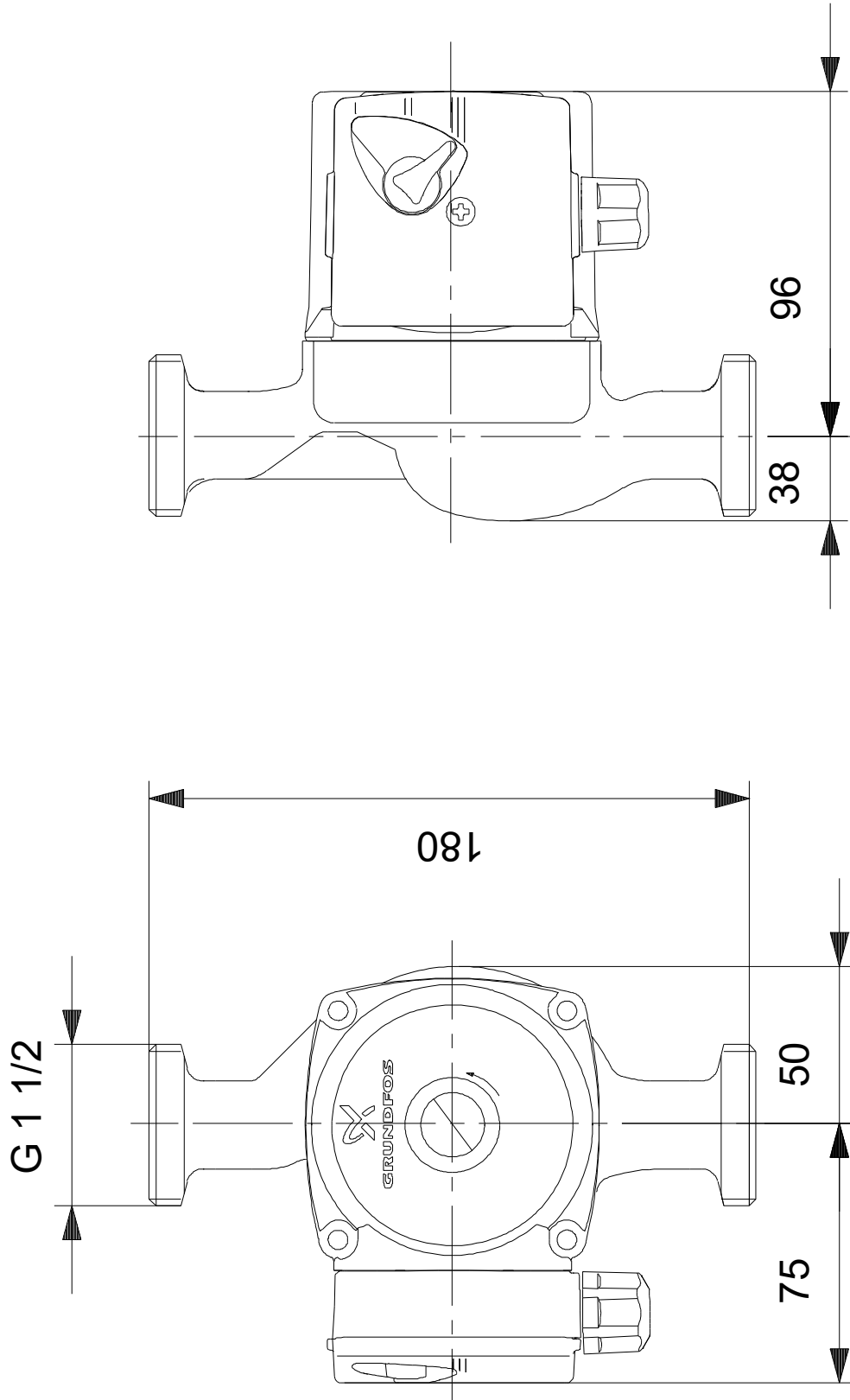




Company name: Al Mawared Engineering & Trading S.A.E (MET)
Created by: Mostafa Mohamed
Phone: 02 26421242 - 01223033998
Email: info@met-eg.com - Almawared@link.net
Date: 08/10/2023

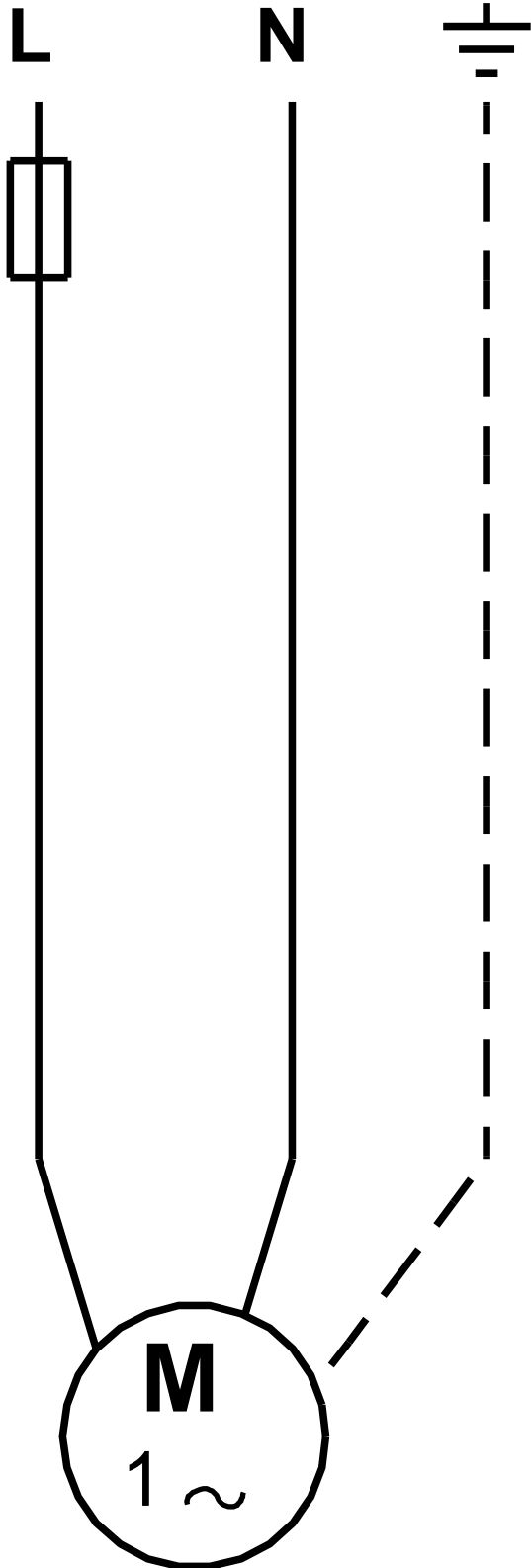
On request UPS 25-60 180 50 Hz

On request UPS 25-60 180 50 Hz



Note! All units are in [mm] unless others are stated.
Disclaimer: This simplified dimensional drawing does not show all details.

On request UPS 25-60 180 50 Hz



Note! All units are in [mm] unless others are stated.

