

**BLAGDON
PUMP**

IDEX
FLUID & METERING

Air Operated Double Diaphragm Pumps

GLOBAL PUMPING SOLUTIONS



www.blagdonpump.com

Our Background

Blagdon Pump was founded in the early 1950's in the North East of England as a specialist pump manufacturer. In 1979 production of **AIR OPERATED DOUBLE DIAPHRAGM PUMPS** commenced and we soon became the market leader. In 1997 the US based multinational "IDEX Corporation" acquired Blagdon Pump to strengthen their global position in the double diaphragm market. Blagdon Pump transferred operations to Ireland in 2009.

We are committed to offering a dedicated sales and after sales service that is second to none and you can keep up to date with developments on our website, www.blagdonpump.com.

Blagdon Pump is dynamic and evolving. Our aim is make dealing with us an easy and efficient experience – a service you can rely on for all your pump requirements.

Our Mission

The one company that will deliver highly engineered fluid moving solutions and service in niche markets and extreme condition environments.

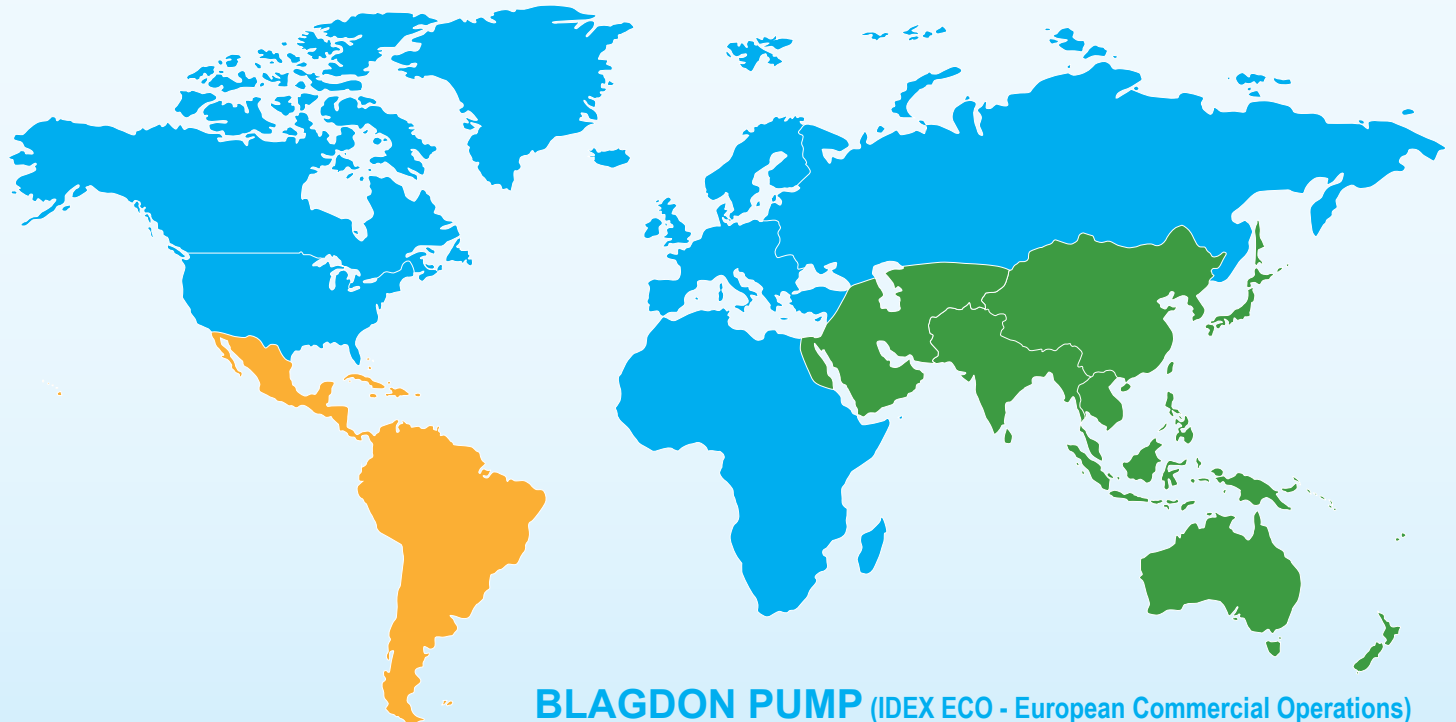
Our Website

We are committed to offering you a dedicated sales and after sales service which is second to none. Now you can keep up to date with developments as they happen with our WEBSITE.

There is a lot happening at Blagdon Pump.
We aim to make dealing with us a more efficient experience.
A service you can rely on for all your pump requirements.

We look forward to dealing with you.

Our Locations



BLAGDON PUMP (IDEX ECO - European Commercial Operations)

IDEX LACO (Latin America Commercial Operations)

IDEX ACO (Asian Commercial Operations)

Air operated double diaphragm pumps have long been recognised as the "work horse" of industry for handling "difficult" liquids at relatively low pressures and flows. The range of applications is virtually limitless. Blagdon AODD pumps come in many sizes and choices of materials of construction. Almost every type of liquid from highly corrosive acids through high viscosity paints and adhesives, to food and drink products can be pumped.

Blagdon 1/2", 1" and 2" EHEDG Approved Hygienic Pumps in Polished 316L Stainless Steel



BLAGDON 1/2", 1", 1 1/2", 2" FDA Compliant Pumps in Polished Steel plus assorted standard fluid fittings



Blagdon 1" and 2" High Pressure 2:1 Pumps available in Aluminium, Stainless Steel



Blagdon Metallic Pumps available in Aluminium, Cast Iron, Stainless Steel from 1/4" to 3"



Blagdon Non-metallic Pumps available in Conductive Polypropylene, Polypropylene and Kynar (PVDF) from 1/4" to 2"



Download individual specification sheets from our website.

The benefits you get from Blagdon Pump

Blagdon offer an extensive pump range for handling **fluid media safely and cost effectively**. We offer **low cost ownership**, by combining **high quality wear parts** with **low price spares** and a **vast array of accessories**. A **flexible modular design** of pumps means we can offer **short lead times** and a high degree of **customising** opportunities. Our experienced staff can provide **instant support** for installation, servicing, maintenance or a technical enquiry. We offer a **fast spares delivery service**, many items being in stock for immediate delivery.

11 key features and benefits of a Blagdon Pump

1. Blagdon pumps can run dry without damage or danger.
2. They are fully submersible.
3. They are designed to operate at low noise levels.
4. They have leak-free air valves that are easily removed for servicing.
5. They can be easily maintained. They can be stripped down quickly without any specialist tools.
6. They are self-priming to over 6 metres.
7. They are pressure balanced. They stall if discharge is closed and restart when discharge is opened so avoiding heat build up and wearing of components.
8. They have minimum product agitation.
9. They have long stroke, slow speed cycling capability for low initial break out.
10. They are portable and compact, can be remotely controlled and fully packaged.
11. Safe in hazardous areas, no sparking, air-driven.



How the double diaphragm system works

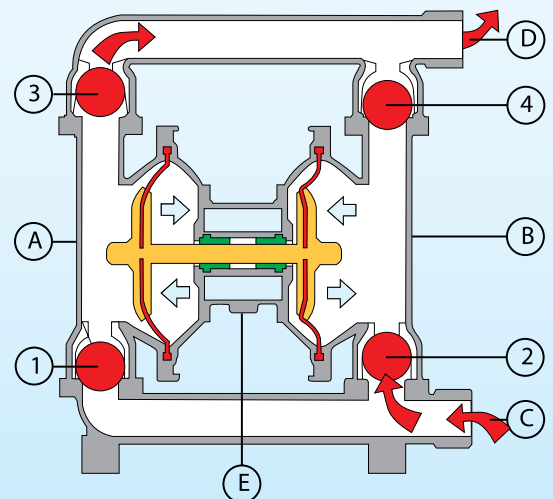
The Blagdon pump is basically two pumps in one. Chambers A&B are alternatively filled and emptied by drawing fluid in through a common inlet (C) and out through a common outlet (D). The diaphragms in each chamber are linked by a common shaft so that they move backwards and forwards in unison. Compressed air is directed by the air valve (E) alternatively behind each diaphragm to power discharge strokes. Pump speed and therefore fluid flowrate can be infinitely controlled by increasing or decreasing air pressure and / or volume.

Operation sequence

The red arrows show the pump cycle. Fluid is being drawn into inlet (C) by the suction stroke of the diaphragm in chamber B, which opens the ball valve (2) to allow liquid to enter the chamber. Ball valve (4) is closed by the diaphragm suction.

In chamber (A) air has been applied to the rear of the diaphragm to force out the liquid in the chamber through the ball valve (3) to the liquid outlet (D). This discharge stroke closes ball valve (1) to prevent further liquid entering the chamber. This cycle is repeated to provide a continuous flow to outlet D.

Standard Blagdon pumps are 1:1 ratio. Maximum outlet pressure cannot exceed air supply pressure. Blagdon also offer 2:1 ratio high pressure pumps.

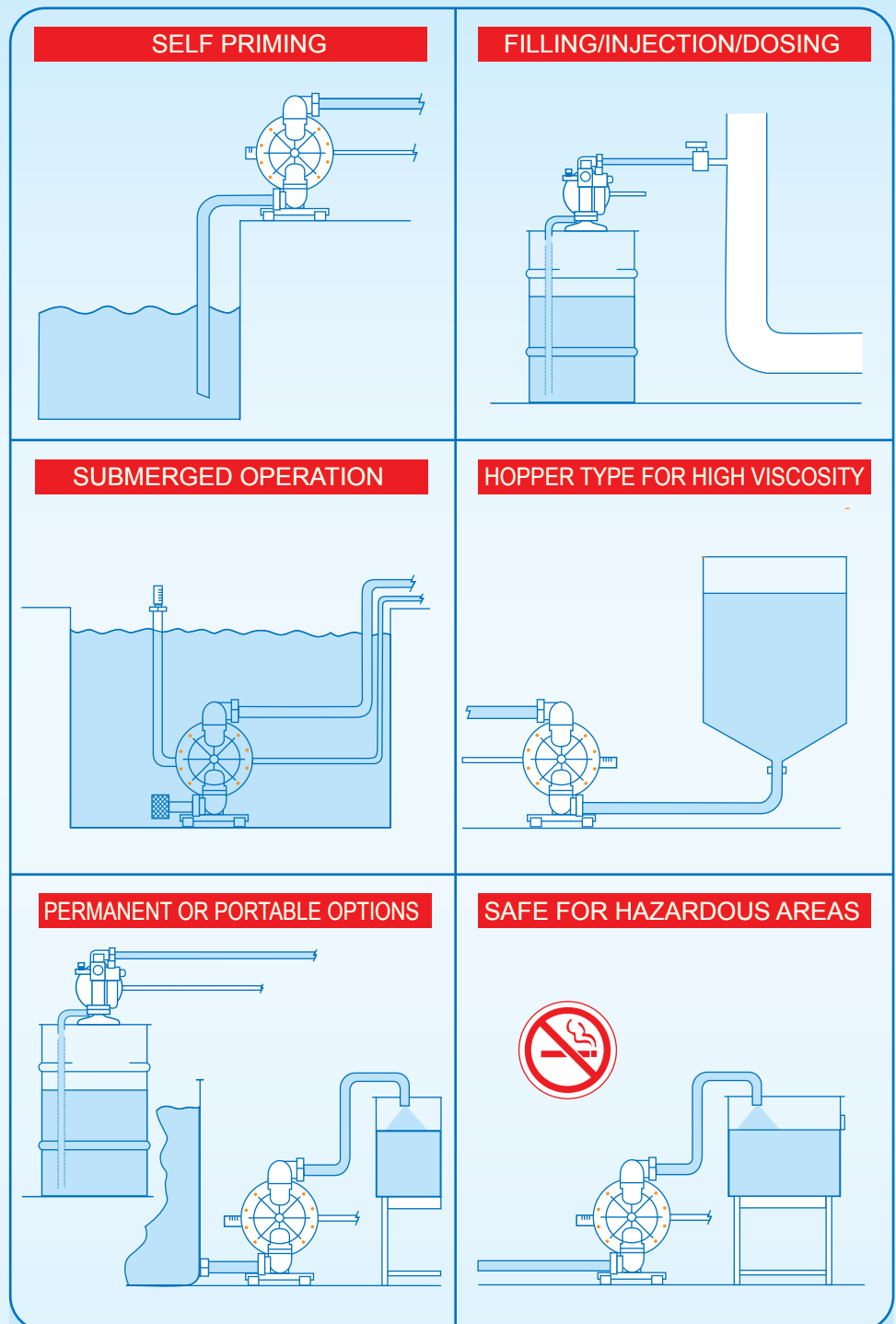


The media Blagdon Pump can handle

A full list of chemicals and recommended elastomers is available on request, or our sales office can advise on the best pump and materials for specific media.

Typical range of products you can pump.

- **ABRASIVES:** Clay slip, titanium dioxide, mill scale.
- **ACIDS:** All mineral and organic acids.
- **ADHESIVE:** Solvent and water based.
- **ALCOHOLS:** Chemicals.
- **CAUSTICS:** Acids.
- **CEMENT:** Cement, mortar.
- **CERAMICS:** Slip, glazes, clay.
- **COSMETICS:** Creams, emulsions, detergents.
- **DRILLING:** Mud, grout, lubricants.
- **DRINKS:** Soft drinks, spirits, beer, wine, milk.
- **EXPLOSIVES:** Suspensions of gun powder, explosives, etc.
- **FOODS:** Liquid and semi-solid foods, flavourings.
- **INKS & DYES:** Printing inks, dyes, sizes and solvents.
- **OILS:** Petrol, diesel, hydraulic and cutting oils, lube oils, animal and vegetable oils and greases.
- **PAINT:** Emulsions, latexes, pigments, solvents, resins, thinners.
- **PHARMACEUTICALS:** Liquids, creams and compounds.
- **PLATING:** Aggressive acids, salts, sludge and effluents.
- **PULPS:** Paper, wood, sizes, bleaches.
- **RESINS:** Natural and synthetics, water and solvent based, monomeric and polymeric plastics.
- **RUBBER:** Gum, latex.
- **SLUDGE & WASTE:** Sewage, effluents, coal and lime slurry.
- **SOLVENTS:** Aromatic and aliphatics, ketones, aldehydes, esters and chlorinated hydrocarbons, de-icing fluids.
- **TIMBER PRESERVATIVES:** Creosote, turpentine, copper naphthenate.
- **WATER:** All types.



Pump Duties

Blagdon pumps can be installed in any of the models illustrated to perform the following duties: Liquid Transfer, Slurry Handling, Filter Feeding, Circulation, De-watering, Low Pressure Spray Supply, Tank/Sump/Barrel/Drum Filling and emptying, Batching/Mixing/Metering/Dosing, and Chemical Injection etc.



Blagdon Portfolio Information

	Pump Model/Size/Material	Fluid Contact Materials								Air Chamber Materials						Diaphragm									
		Conductive PTFE	Virgin PTFE	Aluminium	Cast Iron	PVDF	Polypropylene	Conductive Polypropylene	Stainless Steel	Polished Stainless	Aluminium	Cast Iron	Nickel Plated Aluminium	Polypropylene	Stainless Steel	Epoxy Coated Aluminium	Epoxy Coated Stainless Steel	Conductive PTFE	Buna-N	EPDM (Inc. Food Grade)	Geolast	Polyester (Hytel)	Neoprene		
Metallic Pumps	B06 - 1/4" Stainless Steel																								
	B15 - 1/2" Aluminium			•																					
	B15 - 1/2" Stainless Steel																								
	B25 - 1" Aluminium			•																					
	B25 - 1" Cast Iron				•																				
	B25 - 1" Stainless Steel																								
	B40 - 1 1/2" Aluminium			•																					
	B40 - 1 1/2" Cast Iron				•																				
	B40 - 1 1/2" Stainless Steel																								
	B50 - 2" Aluminium			•																					
	B50 - 2" Cast Iron				•																				
	B50 - 2" Stainless Steel																								
	X75 - 3" Aluminium			•																					
	X75 - 3" Cast Iron				•																				
X75 - 3" Stainless Steel																									
Non-Metallic Pumps	B06 - 1/4" Polypropylene																								
	B06 - 1/4" PVDF					•																			
	B10 - 3/8" Polypropylene					•																			
	B15 - 1/2" Polypropylene						•	•																	
	B15 - 1/2" PVDF					•																			
	B25 - 1" Polypropylene						•	•																	
	B25 - 1" PVDF					•																			
	B50 - 2" Polypropylene						•	•																	
B50 - 2" PVDF					•																				
Hygienic Pumps	B15 - 1/2" Hygienic																								
	B25 - 1" Hygienic																								
	B50 - 2" Hygienic																								
High Pressure Pumps	B25 - 1" Standard 2:1			•	•																				
	B25 - 1" Full Flow 2:1			•																					
	B50 - 2" Full Flow 2:1			•																					
FDA Pumps	B15 - 1/2" Stainless Steel																								
	B25 - 1" Stainless Steel																								
	B40 - 1 1/2" Stainless Steel																								
	B50 - 2" Stainless Steel																								
PTFE Pumps	B15 - 1/2" Conductive PTFE	•																							
	B15 - 1/2" Virgin PTFE		•																						
	B25 - 1" Conductive PTFE	•															•								
	B25 - 1" Virgin PTFE		•																						

Diaphragm & Ball Valve Options - Uses, Temperature Limits & Specific Gravity

Elastomer	Main Properties and Uses	Operating Temperatures	
		Min	Optimum
Buna-N	General purpose for use on water, most hydrocarbons and mild chemicals	-18F -28C	50 to 140F 10 to 60C
EPDM	Caustic solutions and dilute acids. Poor on oils and solvents	-11F -24C	50 to 140F 10 to 60C
Geolast	General purpose for use on water, most hydrocarbons and mild chemicals	-10F -23C	50 to 140F 10 to 60C
Neoprene	Excellent abrasion resistance. Widely used in the ceramics industry on dirty water, clays, grout etc	-4F -20C	50 to 130F 10 to 54C
Polyester	High mechanical strength. Suitable with most oils, solvents and hydrocarbons	-40F -40C	50 to 130F 10 to 54C
Polyurethane	Excellent abrasion resistance, dirty water, oils and hydrocarbons	-40F -40C	50 to 130F 10 to 54C
PTFE	Aggressive chemicals and solvents but with low abrasion resistance	32F 0C	50 to 212F 10 to 100C
Santoprene	Caustic solutions and dilute acids. Excellent abrasion resistance	-10F -23C	50 to 140F 10 to 60C
Stainless Steel	N/A	N/A	N/A
Viton	Aggressive chemicals and most solvents. High temperature uses	0F -18C	75 to 212F 24 to 100C

Materials			Ball Valve Materials					Max. Flow		Fluid Connections			Air Inlet	Max. Op Pressure		Max. Solid Size (mm)				
PTFE (One Piece)	Polyurethane	Santoprene	PTFE	Viton	Buna-N	EPDM (Inc. Food Grade)	Neoprene	Santoprene	Stainless Steel	PTFE	Viton	UKGPM	L/Min	BSP(F)	ANSI Flange	RJT(M)	BSP(F)	Bar	PSI	
•	•	•	•	•	•	•	•	•	•	•	4	18	1/4"			1/4"	8.6	125	2	
•	•	•	•	•	•	•	•	•	•	•	14	60	1/2"			1/4"	8.6	125	2	
•	•	•	•	•	•	•	•	•	•	•	14	60	1/2"			1/4"	8.6	125	2	
•	•	•	•	•	•	•	•	•	•	•	40	180	1"			3/8"	8.6	125	3	
•	•	•	•	•	•	•	•	•	•	•	40	180	1"			3/8"	8.6	125	3	
•	•	•	•	•	•	•	•	•	•	•	40	180	1"			3/8"	8.6	125	3	
•	•	•	•	•	•	•	•	•	•	•	76	320	1 1/2"			3/8"	8.6	125	6	
•	•	•	•	•	•	•	•	•	•	•	76	320	1 1/2"			3/8"	8.6	125	6	
•	•	•	•	•	•	•	•	•	•	•	76	320	1 1/2"			3/8"	8.6	125	6	
•	•	•	•	•	•	•	•	•	•	•	120	530	2"			3/4"	8.6	125	6	
•	•	•	•	•	•	•	•	•	•	•	120	530	2"			3/4"	8.6	125	6	
•	•	•	•	•	•	•	•	•	•	•	120	530	2"			3/4"	8.6	125	6	
•	•	•	•	•	•	•	•	•	•	•	202	889	3"			3/4"	8.6	125	10	
•	•	•	•	•	•	•	•	•	•	•	202	889	3"			3/4"	8.6	125	10	
•	•	•	•	•	•	•	•	•	•	•	202	889	3"			3/4"	8.6	125	10	
•	•	•	•	•	•	•	•	•	•	•	4	16	1/4"			1/4"	5	72	2	
•	•	•	•	•	•	•	•	•	•	•	4	16	1/4"			1/4"	5	72	2	
•	•	•	•	•	•	•	•	•	•	•	6	26	3/8"			1/4"	7	100	2	
•	•	•	•	•	•	•	•	•	•	•	11	48		1/2" 150 RF		1/4"	8	116	2	
•	•	•	•	•	•	•	•	•	•	•	11	48		1/2" 150 RF		1/4"	8	116	2	
•	•	•	•	•	•	•	•	•	•	•	34	152		1" 150 RF		3/8"	8	116	3	
•	•	•	•	•	•	•	•	•	•	•	34	152		1" 150 RF		3/8"	8	116	3	
•	•	•	•	•	•	•	•	•	•	•	120	530		2" 150 RF		3/4"	8.6	125	6	
•	•	•	•	•	•	•	•	•	•	•	120	530		2" 150 RF		3/4"	8.6	125	6	
•	•	•	•	•	•	•	•	•	•	•	17	75			1"	1/4"	8.6	125	2	
•	•	•	•	•	•	•	•	•	•	•	31	136			1"	3/8"	8.6	125	3	
•	•	•	•	•	•	•	•	•	•	•	114	500			2"	3/4"	8.6	125	10	
•	•	•	•	•	•	•	•	•	•	•	20	86	1"			1/4"	16	232	3	
•	•	•	•	•	•	•	•	•	•	•	28	125	1"			3/8"	16	232	3	
•	•	•	•	•	•	•	•	•	•	•	80	350	2"			3/4"	16	232	6	
•	•	•	•	•	•	•	•	•	•	•	14	60	1/2"			1/4"	8.6	125	2	
•	•	•	•	•	•	•	•	•	•	•	40	180	1"			3/8"	8.6	125	3	
•	•	•	•	•	•	•	•	•	•	•	76	320	1 1/2"			3/8"	8.6	125	6	
•	•	•	•	•	•	•	•	•	•	•	120	530	2"			3/4"	8.6	125	6	
•	•	•	•	•	•	•	•	•	•	•	11	48		1/2" 150 RF		1/4"	7	100	2	
•	•	•	•	•	•	•	•	•	•	•	11	48		1/2" 150 RF		1/4"	7	100	2	
•	•	•	•	•	•	•	•	•	•	•	34	136		1" 150 RF		3/8"	7	100	3	
•	•	•	•	•	•	•	•	•	•	•	34	136		1" 150 RF		3/8"	7	100	3	

Ball Valve S.G.		
Max	Standard	Weighted
176F 80C	1.23	2.64
212F 100C	1.23	2.64
212F 100C	1.0	N/A
212F 100C	1.23	2.64
158F 70C	N/A	N/A
158F 70C	N/A	N/A
356F 180C	N/A	N/A
212F 100C	0.98	N/A
N/A	7.80	N/A
356F 180C	1.80	3.2

Viscosity Guide

This table is a guide only – cps = centipoise

X75 - 3" Pumps										Maximum 25000					
B50 - 2" Pumps								Maximum 12000							
B40 - 1 1/2" Pumps						Maximum 12000									
B25 - 1" Pumps					Maximum 5000										
B15 - 1/2" Pumps				Maximum 5000											
B10 - 3/8" Pumps				Maximum 2000											
B06 - 1/4" Pumps				Maximum 2000											
1		200		500		1000		2000		4000		10000		15000	
Water 1 cps	Tomato Juice 176 cps	SAE 30 Oil 352 cps	Glycerine 880 cps	SAE 50 Oil 1561 cps	Glue 3000 cps	Mayonnaise 5000 cps	Molasses B 8640 cps	Sour Cream 15200 cps	SAE 70 Oil 17640 cps						

The Products – Blagdon Pumps in action



An ink pumping and mixing plant at Amcor Packaging in Australia using Blagdon 15 moulded pumps.



Fully automated Rexson ink manufacturing plant. Blagdon 25 metallic pumps are used for mixing and recirculation.



Blagdon 75 pump transferring paint from dispenser to blending vessel.



Blagdon 50 pumps feeding a ring main for final blending at a coatings producer.



Blagdon 25 moulded Kynar pumps transferring hydrofluoric acid.



Blagdon 06 moulded pumps being used by Duraco Industries, Singapore, for chemical injection at a waste treatment plant.



Blagdon 25 metallic pump at a major chemical plant in Northern England.



Part of the filtration process at a major multi-national paint manufacturer where Blagdon 50 pumps are used to supply the fully automated filling line.



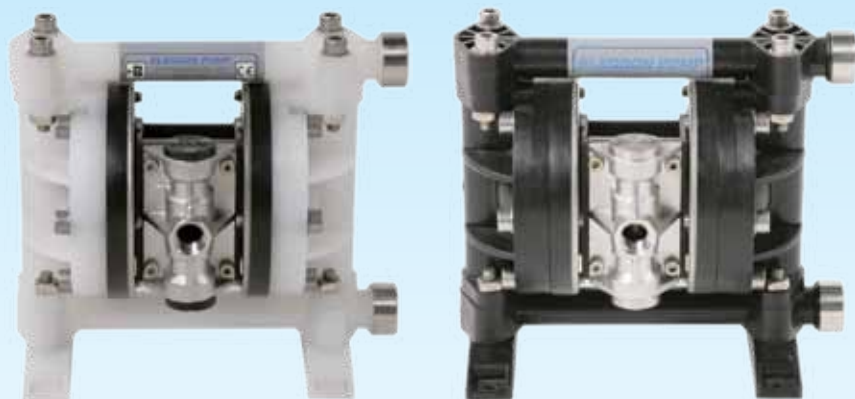
This Blagdon 25 metallic pump at Caradon Bathroom is feeding a robotic spray glazing operation.



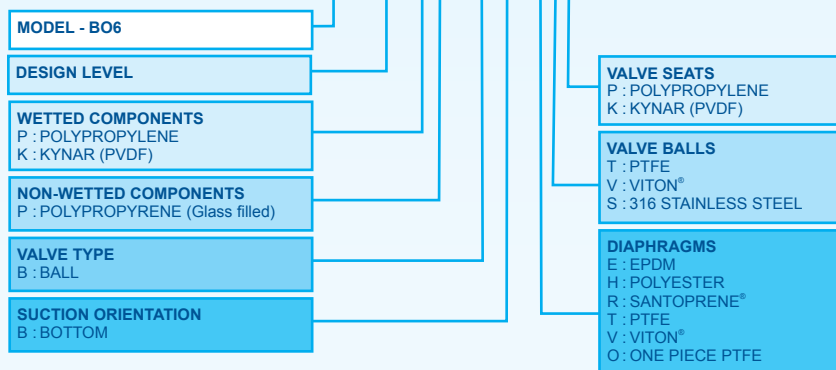
2 Blagdon pumps at Royal Doulton pottery works. The unit at the rear pumped clay slip for 8 years without change of diaphragm, ball valves or valve seats.

Moulded Non Metallic Series

- Simple construction, easy to maintain
- Self priming, ideal for emptying containers
- Pressures to 5 bar
- Flow rates up to 16 litres/minute
- Bolted construction for safety
- Low break out pressure requirement
- Reliable pneumatic air valve system

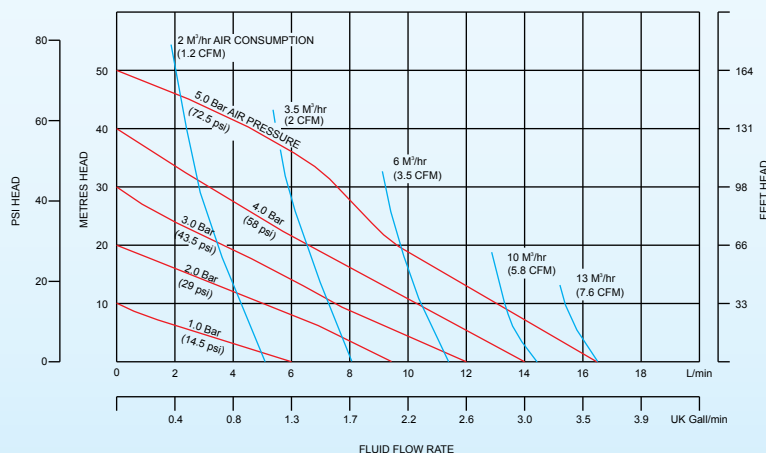


TYPICAL CODE = B06.04.PP.BB.TTP



Example above: B06.04.PP.BB.TTP refers to B06 model, design level 4 with Polypropylene wetted components, Glass filled Polypropylene non-wetted components, with PTFE Diaphragms and Valve Balls and Polypropylene Seats.

Performance curve



Note: The above performance curve has been determined under the following conditions: flooded suction, pumping clean water through a calibrated electronic flow meter with pulsation dampener and silencer fitted.

TECHNICAL DATA;

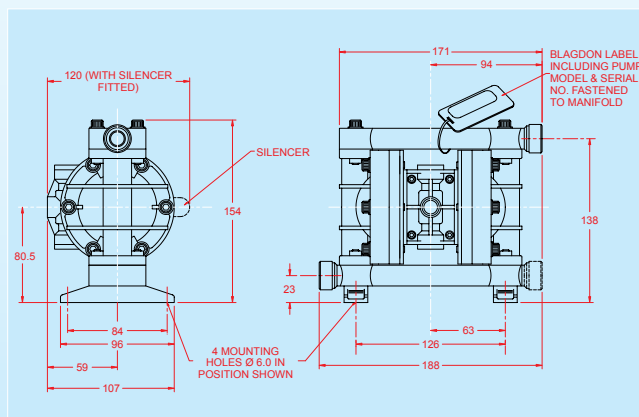
NON METALLIC SERIES B06 POLYPROPYLENE & PVDF

Maximum Delivery:	16 ltrs/min
Max. working Pressure:	5 bar
Max. Solid Particle Size:	2 mm.
Air Inlet:	1/4" BSP(F)
Temperature Limits:	Determined by Elastomers
Suction Lift (Dry):	1.5 m.
Suction Lift (Wet):	4.1 m.
Fluid Inlet/Outlet:	1/4" BSP(F)
Installation:	Wall or surface mounted
Accessories Included:	Exhaust air Silencer

Shipping Weights:

Polypropylene	1.7 kg.
PVDF	1.9 kg.

Shipping Dimensions: 240 x 180 x 200 mm.



Metallic Series

- Simple construction, easy to maintain
- Self priming, ideal for emptying containers
- High quality investment cast design
- Pressures to 8.6 bar
- Flow rates up to 18 litres/minute
- Bolted construction for safety
- Reliable pneumatic air valve system
- Constructed from 316L Stainless steel



TYPICAL CODE = B06. 04. SS. BB. TTS

MODEL - B06: Standard X06: ATEX approved	VALVE SEATS S : 316L STAINLESS STEEL
DESIGN LEVEL	VALVE BALLS T : PTFE V : VITON S : 316 STAINLESS STEEL
WETTED COMPONENTS S : 316L STAINLESS STEEL	DIAPHRAGMS E : EPDM H : POLYESTER R : SANTOPRENE T : PTFE V : VITON O : ONE PIECE PTFE
NON-WETTED COMPONENTS S : 316L STAINLESS STEEL	
VALVE TYPE B : BALL	
SUCTION ORIENTATION B : BOTTOM	

TECHNICAL DATA;

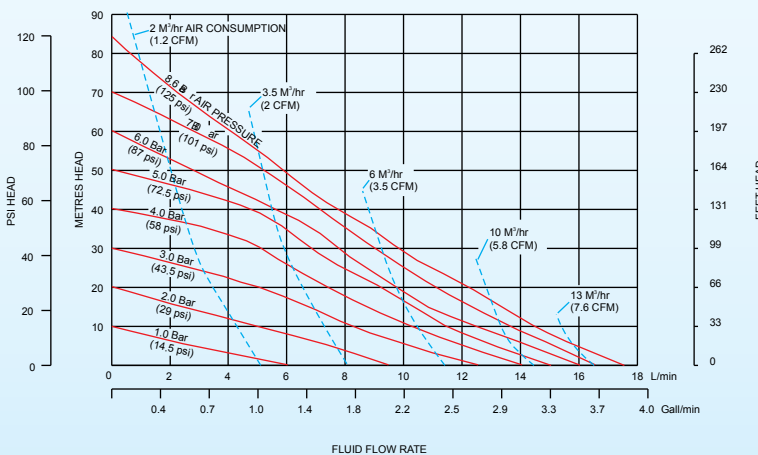
METALLIC SERIES B06 STAINLESS STEEL

Maximum Delivery:	18 ltrs/min
Max. Working Pressure:	8.6 bar
Max. Solid Particle Size:	2 mm.
Air Inlet:	1/4" BSP(F)
Temperature Limits:	Determined by Elastomers
Suction Lift (Dry):	1.5 m.
Suction Lift (Wet):	4.1 m.
Fluid Inlet/Outlet:	1/4" BSP(F)
Installation:	Wall or surface mounted
Accessories Included:	Exhaust air Silencer

Shipping Weights:

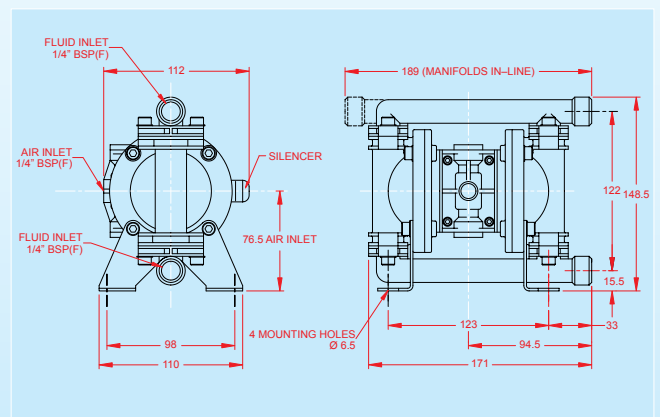
Stainless Steel	3.7 kg.
-----------------	---------

Performance curve



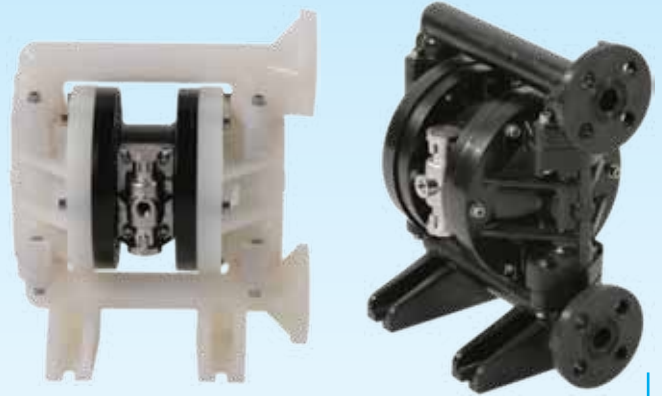
Note: The above performance curve has been determined under the following conditions: flooded suction, pumping clean water through a calibrated electronic flow meter with pulsation dampener and silencer fitted.

Shipping Dimensions: 240 x 180 x 200 mm.



Moulded Non Metallic Series

- Simple construction, easy to maintain
- Self priming, ideal for emptying containers
- Strong, robust design
- Pressures to 8 bar
- Flow rates up to 48 litres/minute
- Flanged or screwed end connections
- Pneumatic air valve, reliable and easy



TYPICAL CODE = B15. 01. PT. BB. TTP -LF

MODEL - B15 : Standard X15 : ATEX approved	LUBE FREE VALVE SEATS B : BUNA-N K : KYNAR (PVDF) E : EPDM V : VITON N : NEOPRENE P : POLYPROPYLENE VALVE BALLS B : BUNA-N T : PTFE E : EPDM V : VITON N : NEOPRENE S : 316 STAINLESS STEEL DIAPHRAGMS B : BUNA-N P : POLYURETHANE E : EPDM R : SANTOPRENE H : POLYESTER T : PTFE N : NEOPRENE V : VITON O : ONE PIECE PTFE
DESIGN LEVEL	
WETTED COMPONENTS P : POLYPROPYLENE K : KYNAR (PVDF) G : CONDUCTIVE POLYPROPYLENE	
NON-WETTED COMPONENTS T : EPOXY COATED ALUMINIUM W : EPOXY COATED STAINLESS STEEL	
VALVE TYPE B : BALL	
SUCTION ORIENTATION B : BOTTOM	

TECHNICAL DATA;

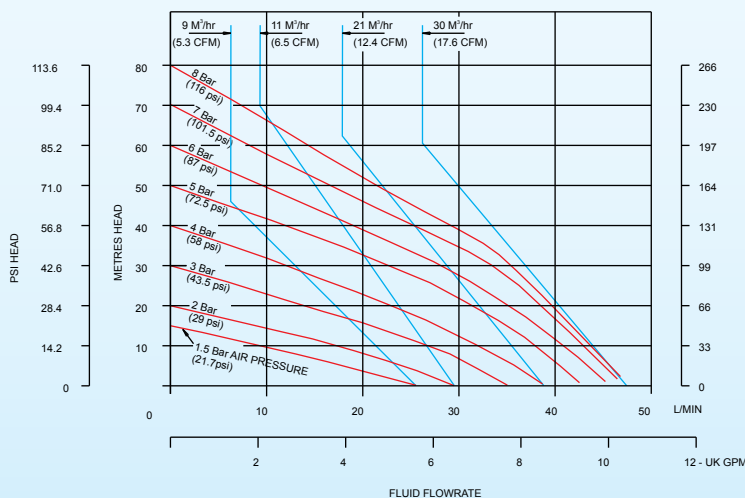
MOULDED NON METALLIC SERIES B15 POLYPROPYLENE & PVDF

Maximum Delivery:	48 ltrs/min
Max. Working Pressure:	8 bar
Max. Solid Particle Size:	2 mm.
Air Inlet:	1/4" BSP(F)
Temperature Limits:	Determined by Elastomers
Suction Lift (Dry):	4.6 m.
Suction Lift (Wet):	6.1 m.
Fluid Inlet/Outlet:	1/2" ANSI #150 RF Flanged
Installation:	Wall or surface mounted
Accessories Included:	Exhaust air Silencer

Shipping Weights:

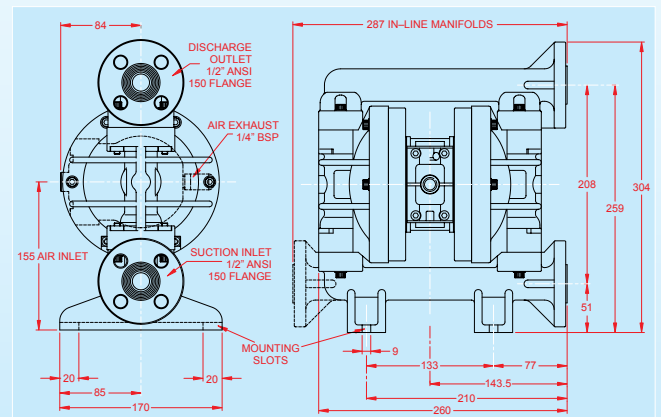
Polypropylene/Aluminium	5.3kg.
PVDF/Aluminium	7kg.
Polypropylene/Stainless Steel	12kg.
PVDF/Stainless Steel	13.5kg.

Performance curve



Note: The above performance curve has been determined under the following conditions: flooded suction, pumping clean water through a calibrated electronic flow meter with pulsation dampener and silencer fitted.

Shipping Dimensions: 320 x 200 x 340 mm.



Metallic Series

- Simple construction, easy to maintain
- Self priming, ideal for emptying containers
- Pressures to 8.6 bar
- Flow rates up to 60 litres/minute
- Bolted construction for greater integrity
- Reliable pneumatic air valve design
- Portable



TYPICAL CODE = B15. 01. AA. BB. TTS - LF

MODEL - B15 : Standard X15 : ATEX approved	LUBE FREE
DESIGN LEVEL	VALVE SEATS A : ALUMINIUM B : BUNA-N E : EPDM N : NEOPRENE V : VITON S : 316 STAINLESS STEEL
WETTED COMPONENTS A : ALUMINIUM	VALVE BALLS B : BUNA-N V : VITON E : EPDM T : PTFE N : NEOPRENE S : 316 STAINLESS STEEL
NON-WETTED COMPONENTS A : ALUMINIUM	DIAPHRAGMS B : BUNA-N P : POLYURETHANE E : EPDM R : SANTOPRENE H : POLYESTER T : PTFE N : NEOPRENE V : VITON O : ONE PIECE PTFE
VALVE TYPE B : BALL	
SUCTION ORIENTATION B : BOTTOM	

TECHNICAL DATA;

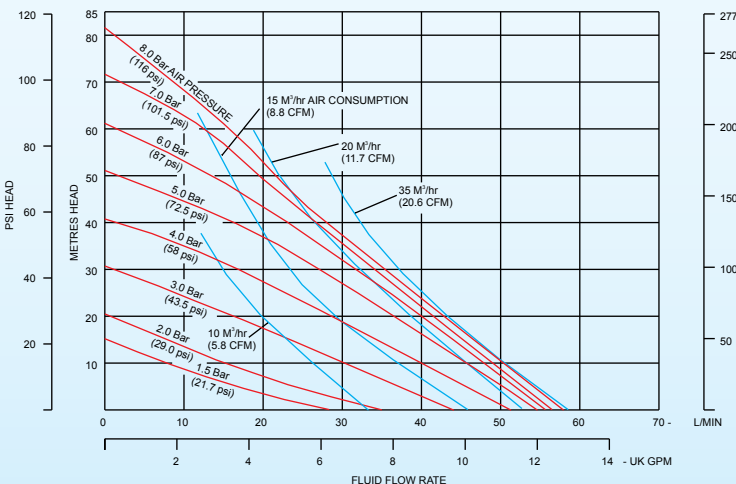
METALLIC SERIES B15 ALUMINIUM

Maximum Delivery:	60 ltrs/min
Max. Working Pressure:	8.6 bar
Max. Solid Particle Size:	2 mm.
Air Inlet:	1/4" BSP(F)
Temperature Limits:	Determined by Elastomers
Suction Lift (Dry):	4.6 m.
Suction Lift (Wet):	6.1 m.
Fluid Inlet/Outlet:	1/2" BSP(F)
Installation:	Wall or surface mounted
Accessories Included:	Exhaust air Silencer

Shipping Weights:

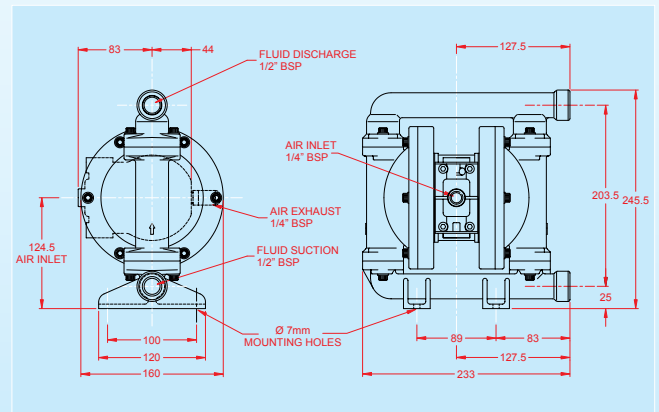
Aluminium 5.9 kg.

Performance curve



Note: The above performance curve has been determined under the following conditions: flooded suction, pumping clean water through a calibrated electronic flow meter with pulsation dampener and silencer fitted.

Shipping Dimensions: 320 x 200 x 340 mm.



Metallic Series

- Simple construction, easy to maintain
- Self priming, ideal for emptying
- Pressures to 8.6 bar
- Flow rates up to 60 litres/minute
- Bolted construction for greater integrity
- 316L Stainless steel



TYPICAL CODE = B15. 01. SA. BB. TTS - LF

MODEL - B15 : Standard X15 : ATEX approved	LUBE FREE VALVE SEATS S : 316 STAINLESS STEEL VALVE BALLS B : BUNA-N T : PTFE E : EPDM V : VITON N : NEOPRENE S : 316 STAINLESS STEEL DIAPHRAGMS B : BUNA-N P : POLYURETHANE E : EPDM R : SANTOPRENE H : POLYESTER T : PTFE N : NEOPRENE V : VITON O : ONE PIECE PTFE
DESIGN LEVEL	
WETTED COMPONENTS S : 316 STAINLESS STEEL	
NON-WETTED COMPONENTS A : ALUMINIUM S : 316 STAINLESS STEEL	
VALVE TYPE B : BALL	
SUCTION ORIENTATION B : BOTTOM	

TECHNICAL DATA;

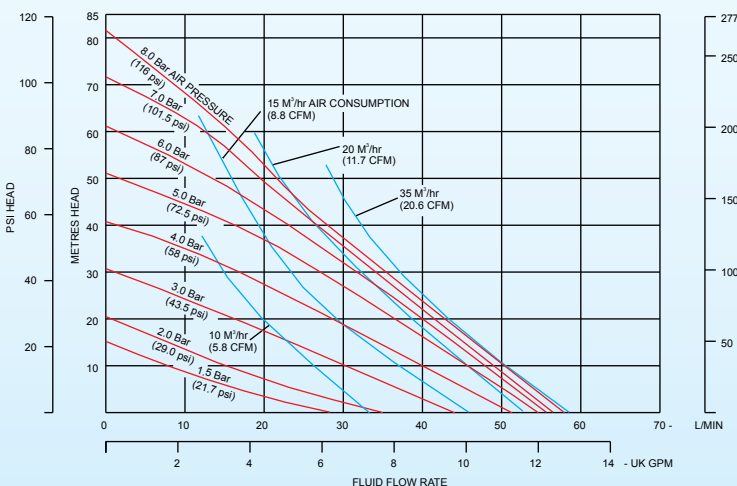
METALLIC SERIES B15 STAINLESS STEEL

Maximum Delivery:	60 ltrs/min
Max. Working Pressure:	8.6 bar
Max. Solid Particle Size:	2 mm.
Air Inlet:	1/4" BSP(F)
Temperature Limits:	Determined by Elastomers
Suction Lift (Dry):	4.6 m.
Suction Lift (Wet):	6.1 m.
Fluid Inlet/Outlet:	1/2" BSP(F)
Installation:	Wall or surface mounted
Accessories Included:	Exhaust air Silencer

Shipping Weights:

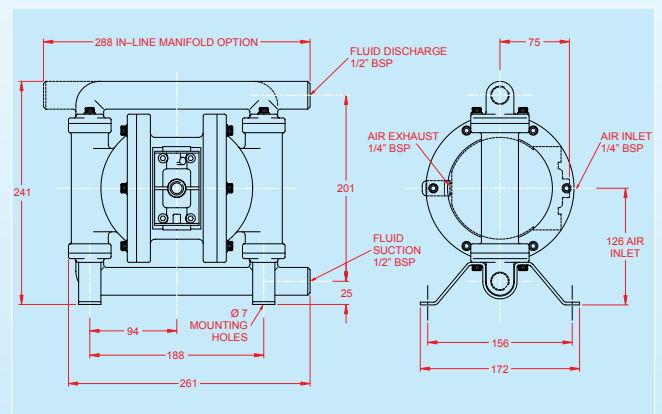
Stainless Steel/Aluminium	9.7 kg.
Stainless Steel	15 kg.

Performance curve



Note: The above performance curve has been determined under the following conditions: flooded suction, pumping clean water through a calibrated electronic flow meter with pulsation dampener and silencer fitted.

Shipping Dimensions: 320 x 200 x 340 mm.

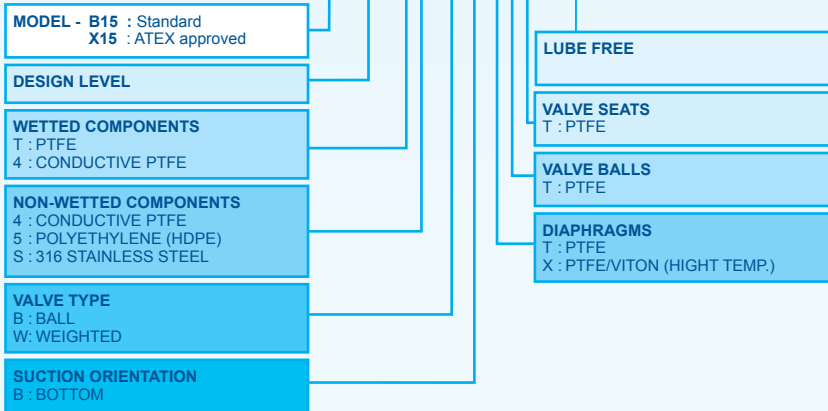


PTFE Non Metallic Series

- Simple construction, easy to maintain
- Available in virgin and conductive PTFE
- Chemically inert
- Flanged end connections
- Atex approved - intrinsically safe
- Reliable, proven pneumatic air valve
- Strong, robust design



TYPICAL CODE = B15. 00. TS. BB.TTT - LF



TECHNICAL DATA;

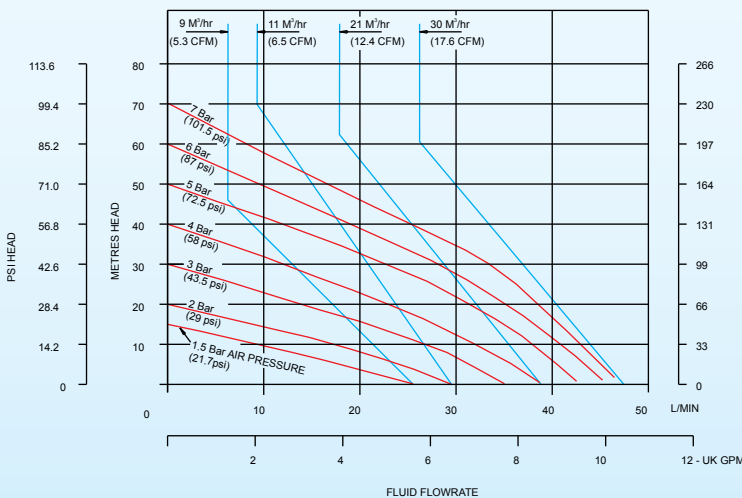
NON METALLIC SERIES B15 CONDUCTIVE / VIRGIN PTFE

Maximum Delivery:	48 ltrs/min
Max. Working Pressure:	7 bar
Max. Solid Particle Size:	2 mm.
Air Inlet:	1/4" BSP(F)
Temperature Limits:	Determined by Elastomers
Suction Lift (Dry):	4.6 m.
Suction Lift (Wet):	6.1 m.
Fluid Inlet/Outlet:	1/2" ANSI #150 RF Flanged
Installation:	Wall or surface mounted
Accessories Included:	Exhaust air Silencer

Shipping Weights:

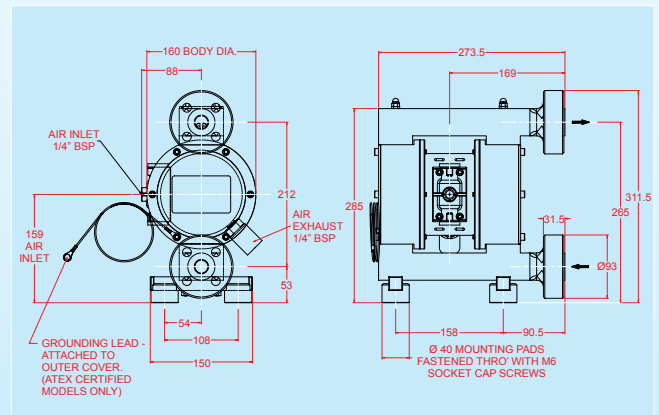
Conductive PTFE	16 kg.
Virgin PTFE	16 kg.

Performance curve



Note: The above performance curve has been determined under the following conditions: flooded suction, pumping clean water through a calibrated electronic flow meter with pulsation dampener and silencer fitter.

Shipping Dimensions: 335 x 215 x 335 mm.

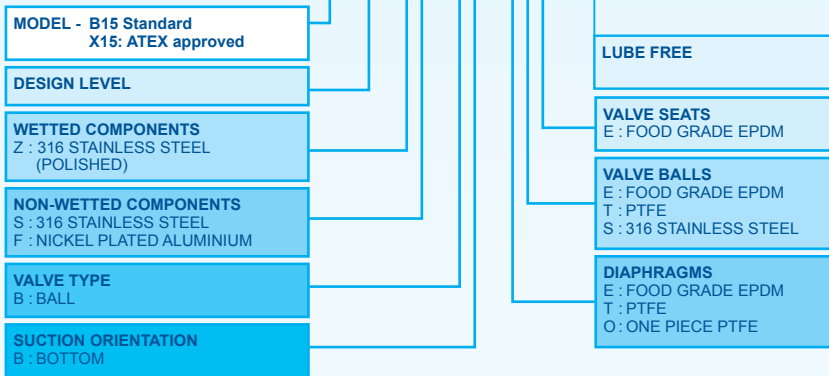


Hygienic Series

- Range of DIN/RJT and Ferrule connections
- Self priming, for emptying containers
- Food grade elastomers-EPDM/PTFE
- Pressures to 8.6 bar
- Certified CIP cleanable
- EU Design approval



TYPICAL CODE = B15.01. ZF. BB. EEE - LF



TECHNICAL DATA;

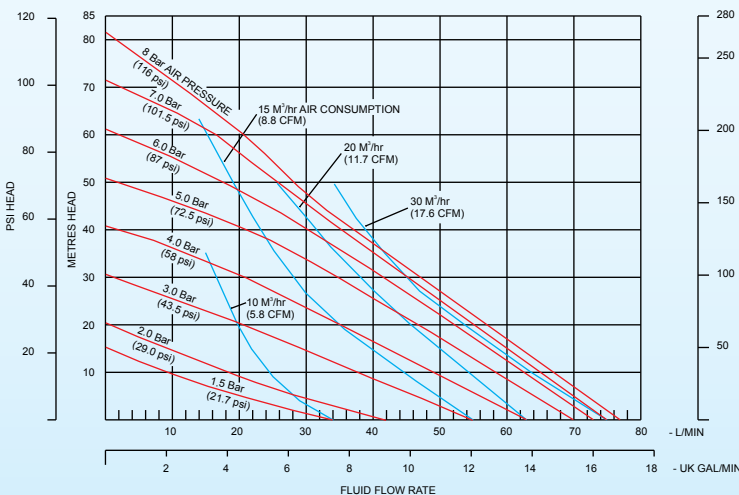
HYGIENIC SERIES B15 STAINLESS STEEL

Maximum Delivery:	75 ltrs/min
Max. Working Pressure:	8.6 bar
Max. Solid Particle Size:	2 mm.
Air Inlet:	1/4" BSP(F)
Temperature Limits:	Determined by Elastomers
Suction Lift (Dry):	4.6 m.
Suction Lift (Wet):	6.1 m.
Fluid Inlet/Outlet:	1" RJT (Standard)
Installation:	Wall or surface mounted
Accessories Included:	Exhaust air silencer

Shipping Weights:

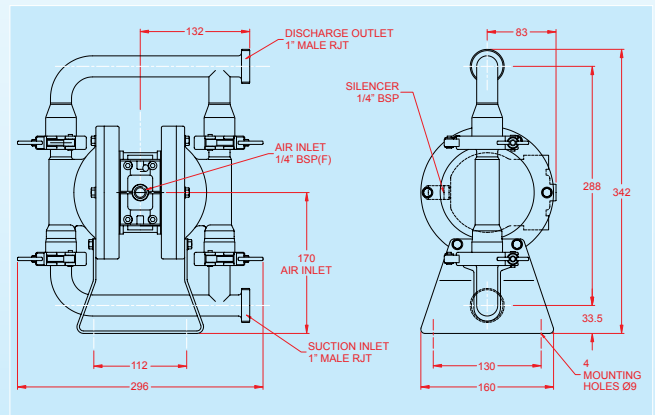
Stainless Steel/Aluminium	10.5 kg.
Stainless Steel	15.8 kg.

Performance curve



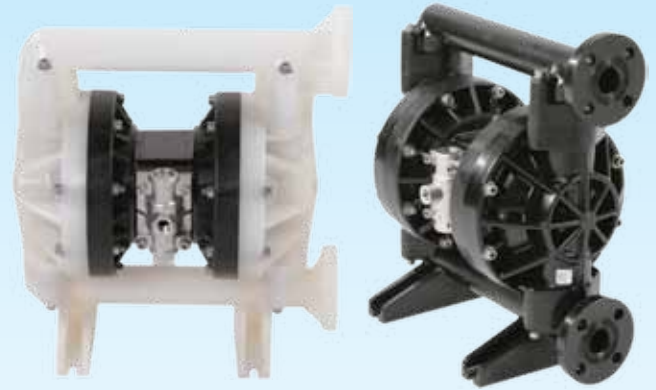
Note: The above performance curve has been determined under the following conditions: flooded suction, pumping clean water through a calibrated electronic flow meter with pulsation dampener and silencer fitted.

Shipping Dimensions: 320 x 210 x 390 mm.



Moulded Non Metallic Series

- Materials options suitable for a wide range of chemicals
- Simple construction, easy to maintain
- Self priming, ideal for emptying containers
- Pressures to 8 bar
- Flow rates up to 152 litres/minute
- Flanged or screwed end connections
- Reliable, pneumatic air valve
- Strong, robust design, bolted construction



TYPICAL CODE = B25.05. PT. BB. EEP - LF

MODEL - B25 : Standard X25 : ATEX approved		LUBE FREE
DESIGN LEVEL		VALVE SEATS B : BUNA-N N : NEOPRENE E : EPDM K : KYNAR (PVDF) P : POLYPROPYLENE
WETTED COMPONENTS P : POLYPROPYLENE K : KYNAR (PVDF) G : CONDUCTIVE POLYPROPYLENE		VALVE BALLS B : BUNA-N T : PTFE E : EPDM V : VITON N : NEOPRENE S : STAINLESS STEEL
NON-WETTED COMPONENTS T : ALUMINIUM / EPOXY PAINTED W : STAINLESS STEEL/EPOXY PAINTED		DIAPHRAGMS B : BUNA-N T : PTFE E : EPDM V : VITON H : POLYESTER (HYTREL) N : NEOPRENE P : POLYURETHENE R : SANTOPRENE O : ONE-PIECE PTFE
VALVE TYPE B : BALL W : WEIGHTED		
SUCTION ORIENTATION B : BOTTOM		

TECHNICAL DATA;

MOULDED NON METALLIC SERIES B25 POLYPROPYLENE AND PVDF

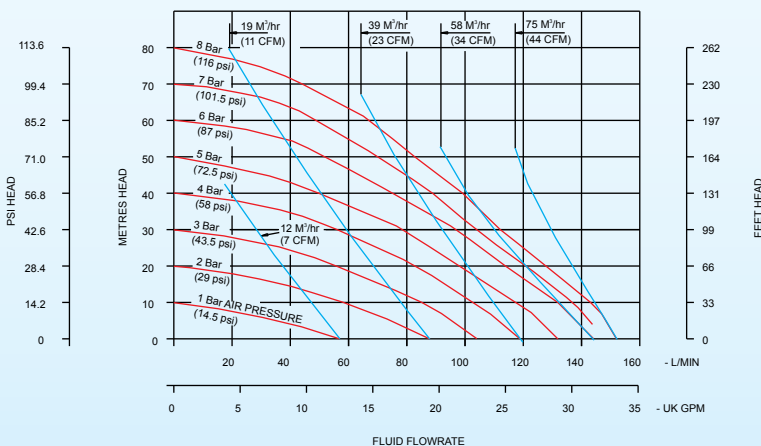
Maximum Delivery:	152 ltrs/min
Max. Working Pressure:	8 bar
Max. Solid Particle Size:	3 mm.
Air Inlet:	3/8" BSP(F)
Temperature Limits:	Determined by Elastomers
Suction Lift (Dry):	6.1 m.
Suction Lift (Wet):	7.6 m.
Fluid Inlet/Outlet:	1" ANSI # 150 Flanged RF
Installation:	Wall or surface mounted
Accessories Included:	Exhaust air Silencer

Shipping Weights:

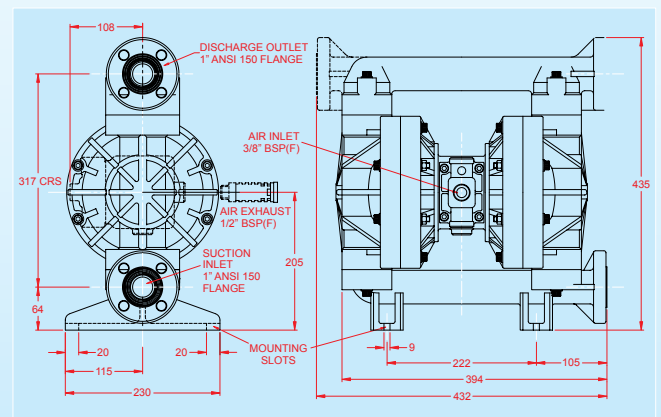
Polypropylene/Aluminium	13.5 kg.
PVDF/Aluminium	18 kg.
Polypropylene/Stainless Steel	18 kg.
PVDF/Stainless Steel	20 kg.

Shipping Dimensions: 440 x 260 x 470 mm.

Performance curve



Note: The above performance curve has been determined under the following conditions: flooded suction, pumping clean water through a calibrated electronic flow meter with pulsation dampener and silencer fitted.



Metallic Series

- Material options suitable for a wide range of applications
- Simple construction, easy to maintain
- Self priming, ideal for emptying containers
- Pressures to 8.6 bar
- Flow rates up to 180 litres/minute
- Bolted construction for greater integrity
- Weighted Valve Balls for high S.G. and viscous fluids
- Reliable, pneumatic air valve



TYPICAL CODE = B25. 05.AA. BB. BBS - LF

MODEL - B2505 : Standard X2505 : ATEX approved	LUBE FREE
WETTED COMPONENTS A : ALUMINIUM S : 316L STAINLESS STEEL C : CAST IRON	VALVE SEATS S : 316L STAINLESS STEEL
NON-WETTED COMPONENTS A : ALUMINIUM S : 316L STAINLESS STEEL	VALVE BALLS T : PTFE E : EPDM N : NEOPRENE V : VITON B : BUNA-N S : STAINLESS STEEL D : DELRIN
VALVE TYPE B : BALL W : WEIGHTED	DIAPHRAGMS N : NEOPRENE V : VITON P : POLYESTER B : BUNA-N R : SANTOPRENE T : PTFE P : POLYURETHANE E : EPDM O : ONE-PIECE PTFE
SUCTION ORIENTATION B : BOTTOM	

TECHNICAL DATA;

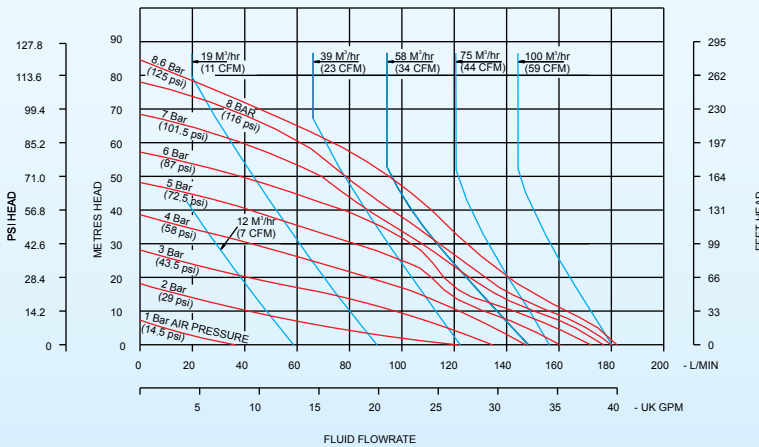
METALLIC SERIES B2504 ALUMINIUM, STAINLESS STEEL, CAST IRON

Maximum Delivery:	180 ltrs/min
Max. Working Pressure:	8.6 bar
Max. Solid Particle Size:	3 mm.
Air Inlet:	3/8" BSP(F)
Temperature Limits:	Determined by Elastomers
Suction Lift (Dry):	6.1 m.
Suction Lift (Wet):	7.6 m.
Fluid Inlet/Outlet:	1" BSP(F)
Installation:	Wall or surface mounted
Accessories Included:	Exhaust air Silencer

Shipping Weights:

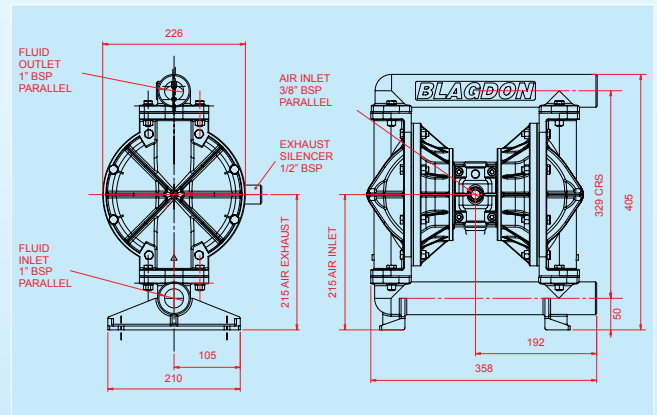
Aluminium	16 kg.
Cast Iron/Aluminium	25 kg.
Stainless Steel/Aluminium	25 kg.

Performance curve



Note: The above performance curve has been determined under the following conditions: flooded suction, pumping clean water through a calibrated electronic flow meter with pulsation dampener and silencer fitted.

Shipping Dimensions: 400 x 300 x 470 mm.

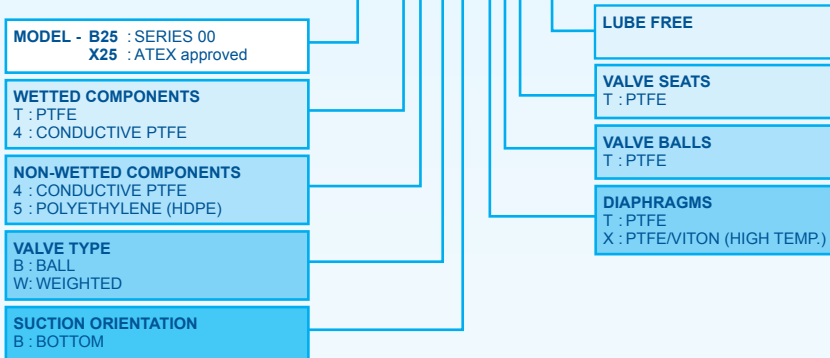


PTFE – Non Metallic Series

- Simple construction, easy to maintain
- Available in Virgin and conductive PTFE
- Chemically inert
- Flanged end connections
- Atex approved – intrinsically safe
- Reliable, proven pneumatic air valve
- Strong, robust design



TYPICAL CODE = B25.00.T5.BB.TTT-LF

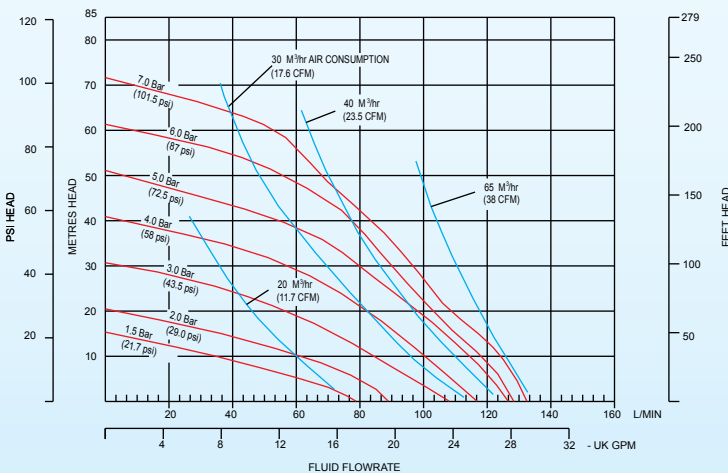


TECHNICAL DATA;

NON METALLIC SERIES B25 VIRGIN PTFE, CONDUCTIVE PTFE

Maximum Delivery:	136 ltrs/min
Max. Working Pressure:	7 Bar
Max. Solid Particle Size:	3 mm.
Air Inlet:	3/8" BSP (F) 3/8" NPT (F)
Temperature Limits:	100°C
Suction Lift (Dry):	6.1 m
Suction Lift (Wet):	7.6 m
Inlet/Outlet:	1" BSP/ANSI 150 Flange
Installation:	Wall or surface mounted
Accessories Included:	Exhaust air Silencer

Performance curve

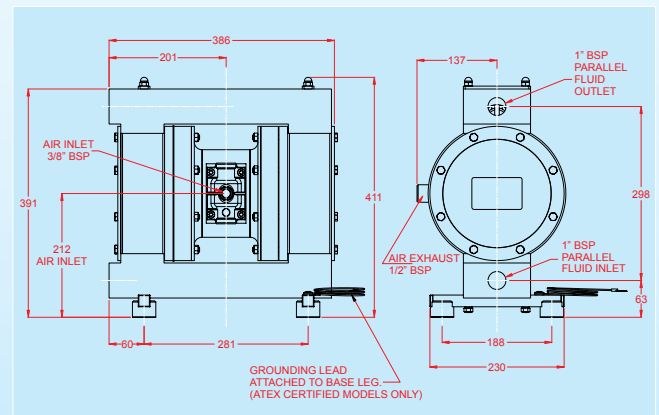


Note: The above performance curve has been determined under the following conditions: flooded suction, pumping clean water through a calibrated electronic flow meter with pulsation dampener and silencer fitted.

Shipping Weights:

Virgin PTFE:	37 kg.
Conductive PTFE:	40 kg.

Shipping Dimensions: 500 x 300 x 450 mm.



Full Flow High Pressure

- Robust construction, easy to maintain
- Can easily handle viscous, high S.G and high head applications
- Smooth action, less vibration and wear
- Pressures to 16 bar
- Flow rates up to 125 litres/minute
- Bolted construction for greater integrity
- Reliable pneumatic air valve
- Stalls against closed head without damage.
- Re-start on demand



TYPICAL CODE = B25. 05. AA. W3. NNS

MODEL - B25 : Standard X25 : ATEX approved	VALVE SEATS S : 316 STAINLESS STEEL
DESIGN LEVEL	VALVE BALLS T : PTFE N : NEOPRENE B : BUNA-N E : EPDM S : STAINLESS STEEL V : VITON
WETTED COMPONENTS A : ALUMINIUM S : 316 STAINLESS STEEL.	DIAPHRAGMS T : PTFE N : NEOPRENE B : BUNA-N R : SANTOPRENE E : EPDM H : POLYESTER (HYTREL) O : ONE PIECE PTFE P : POLYURETHANE V : VITON
NON-WETTED COMPONENTS A : ALUMINIUM	
VALVE TYPE B : BALL W : WEIGHTED	
MODEL DESIGNATION	

TECHNICAL DATA;

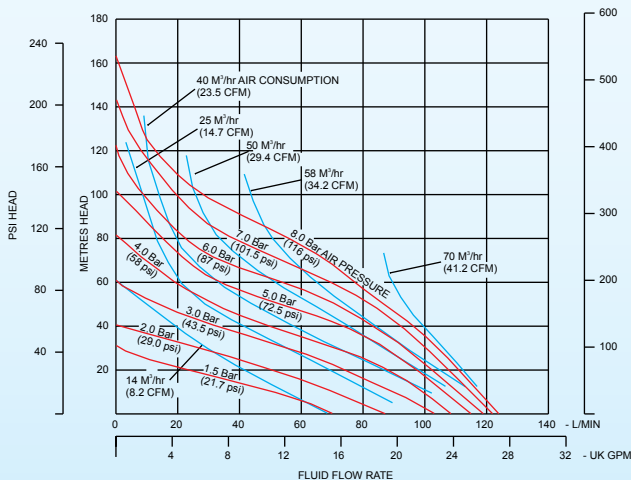
METALLIC SERIES - FULL FLOW 2:1 B25

Maximum Delivery:	125 ltrs/min
Max. Working Pressure:	16 Bar (232 psi) (8 Bar Max. Air Inlet)
Max. Solid Particle Size:	3 mm.
Air Inlet:	3/8" BSP (F)
Temperature Limits:	Determined by Elastomers
Suction Lift (Dry):	6 m. (20')
Suction Lift (Wet):	7.6 m. (25')
Fluid Inlet/Outlet:	1" BSP (F)
Installation:	Surface mounted
Accessories Included:	Exhaust air Silencer

Shipping Weights:

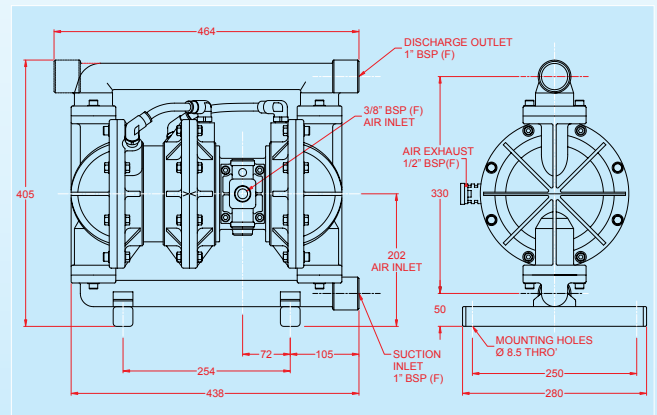
Stainless Steel/Aluminium	33 kg.
Aluminium	24.5 kg.

Performance curve



Note: The above performance curve has been determined under the following conditions: flooded suction, pumping clean water through a calibrated electronic flow meter with pulsation dampener and silencer fitted.

Shipping Dimensions: 480 x 320 x 480 mm.

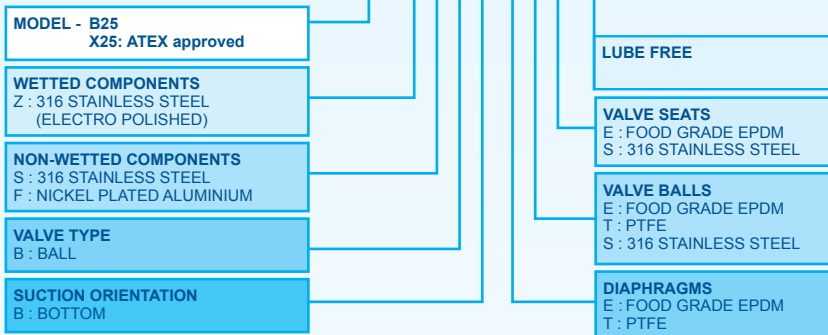


Hygienic Series

- Range of DIN/RJT and Ferrule connections
- Self priming for emptying containers
- Food grade elastomers-EPDM/PTFE
- Pressures to 8.6 bar
- Capable of handling high viscosity & S.G
- Certified CIP cleanable
- EU Design approval
- 316L Stainless steel



TYPICAL CODE = B25. ZF. BB. EEE - LF



TECHNICAL DATA;

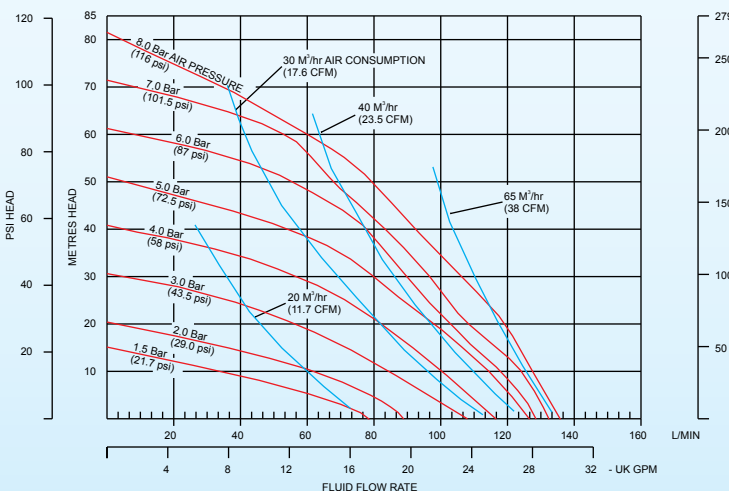
HYGIENIC SERIES B25 STAINLESS STEEL

Maximum Delivery:	136 ltrs/min
Max. Working Pressure:	8.6 bar
Max. Solid Particle Size:	5 mm.
Air Inlet:	3/8" BSP(F)
Temperature Limits:	Determined by Elastomers
Suction Lift (Dry):	4.6 m.
Suction Lift (Wet):	6.1 m.
Fluid Inlet/Outlet:	1" RJT
Installation:	Wall or surface mounted
Accessories Included:	Exhaust air Silencer

Shipping Weights:

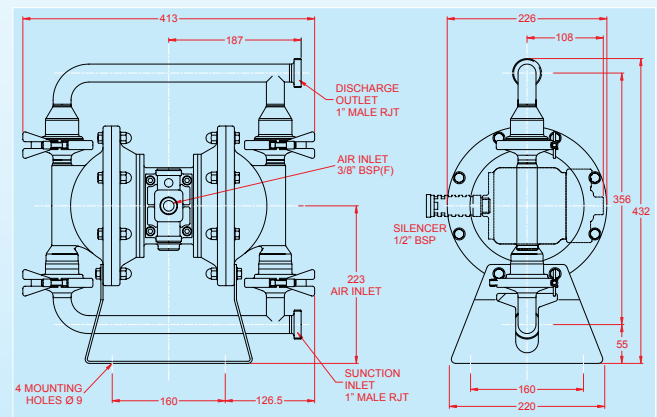
Stainless Steel 21.5 kg.

Performance curve



Note: The above performance curve has been determined under the following conditions: flooded suction, pumping clean water through a calibrated electronic flow meter with pulsation dampener and silencer fitted.

Shipping Dimensions: 450 x 280 x 500 mm.



Metallic Series

- Simple construction, easy to maintain
- Self priming, ideal for emptying containers
- Pressures to 8.6 bar
- Flow rates up to 320 litres/minute
- Bolted construction for greater integrity
- Reliable, proven pneumatic air valve system



TYPICAL CODE = B40. 05. AA. BB. BBS - LF

MODEL - B40 : Standard X40 : ATEX approved	LUBE FREE VALVE SEATS B : BUNA-N A : ALUMINIUM E : EPDM N : NEOPRENE V : VITON S : 316 STAINLESS STEEL VALVE BALLS B : BUNA-N T : PTFE E : EPDM V : VITON N : NEOPRENE S : 316 STAINLESS STEEL DIAPHRAGMS B : BUNA-N P : POLYURETHANE E : EPDM R : SANTOPRENE H : POLYESTER T : PTFE N : NEOPRENE V : VITON O : ONE PIECE PTFE
DESIGN LEVEL	
WETTED COMPONENTS A : ALUMINIUM C : CAST IRON* S : 316 STAINLESS STEEL	
NON-WETTED COMPONENTS A : ALUMINIUM C : CAST IRON S : 316 STAINLESS STEEL	
VALVE TYPE B : BALL W : WEIGHTED	
SUCTION ORIENTATION B : BOTTOM	

*Pumps with cast iron wetted components are supplied at design level 01.

TECHNICAL DATA;

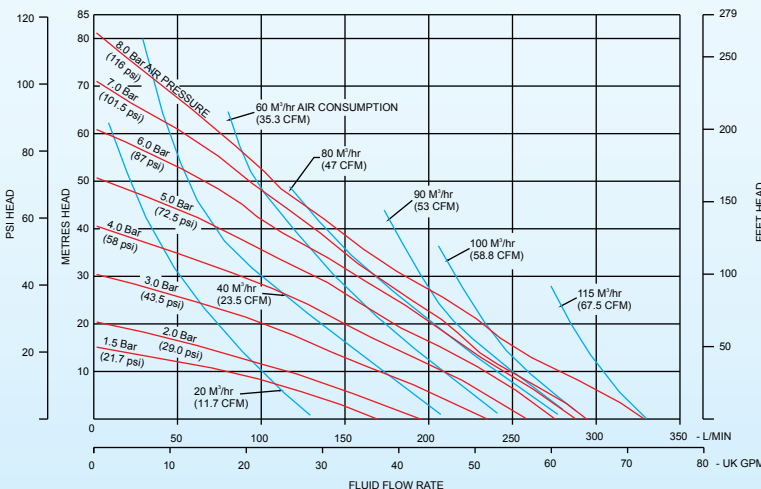
METALLIC SERIES B40 ALUMINIUM, CAST IRON & STAINLESS STEEL

Maximum Delivery:	320 ltrs/min
Max. Working Pressure:	8.6 bar
Max. Solid Particle Size:	6 mm.
Air Inlet:	3/8" BSP(F)
Temperature Limits:	Determined by Elastomers
Suction Lift (Dry):	6.1 m.
Suction Lift (Wet):	7.6 m.
Fluid Inlet/Outlet:	1 1/2" BSP(F)
Installation:	Surface mounted
Accessories Included:	Exhaust air Silencer

Shipping Weights:

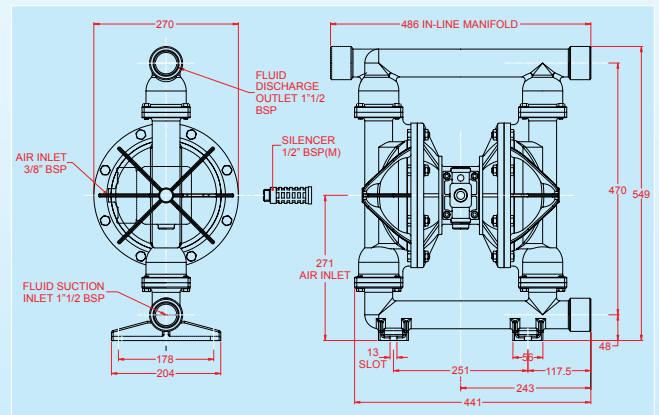
Aluminium	22 kg.
Stainless Steel/Aluminium	36 kg.
Stainless Steel	46 kg.
Stainless Steel/Cast Iron	46 kg.
Cast Iron/Aluminium	51.4 kg.
Cast Iron	61 kg.

Performance curve



Note: The above performance curve has been determined under the following conditions: flooded suction, pumping clean water through a calibrated electronic flow meter with pulsation dampener and silencer fitted.

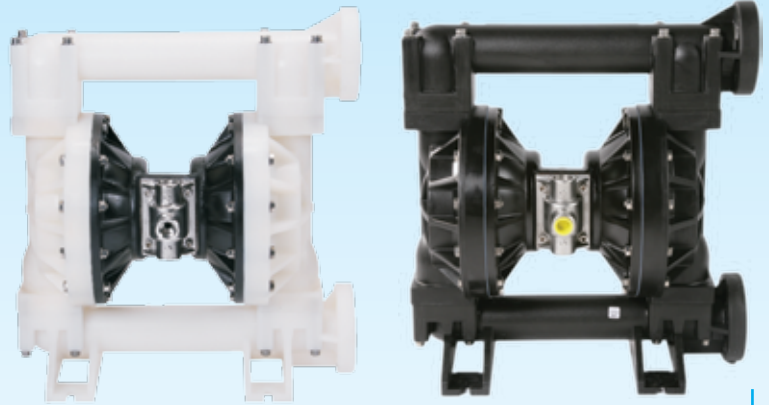
Shipping Dimensions: 500 x 350 x 600 mm.



The above drawing shows Aluminium and Cast Iron only.

Moulded Non Metallic Series

- Simple construction, easy to maintain
- Capable of handling high S.G and viscous fluids
- Pressures to 8.6 bar
- Flow rates up to 530 litres/minute
- Flanged end connections
- Reliable, proven pneumatic air valve



TYPICAL CODE = B50. 05. PT. BB. EEP - LF

MODEL - B50 : Standard X50 : ATEX approved	LUBE FREE
DESIGN LEVEL	
WETTED COMPONENTS P : POLYPROPYLENE K : KYNAR (PVDF) G : CONDUCTIVE POLYPROPYLENE	
NON-WETTED COMPONENTS T : ALUMINIUM / EPOXY PAINTED W : 316 STAINLESS STEEL / EPOXY PAINTED	
VALVE TYPE B : BALL W : WEIGHTED	
SUCTION ORIENTATION B : BOTTOM	
	VALVE SEATS B : BUNA-N T : PTFE E : EPDM V : VITON N : NEOPRENE P : POLYPROPYLENE
	VALVE BALLS B : BUNA-N T : PTFE E : EPDM V : VITON N : NEOPRENE S : 316 STAINLESS STEEL
	DIAPHRAGMS B : BUNA-N T : PTFE E : EPDM V : VITON H : POLYESTER (HYTEL) N : NEOPRENE P : POLYURETHANE R : SANTOPRENE O : ONE-PIECE PTFE

TECHNICAL DATA;

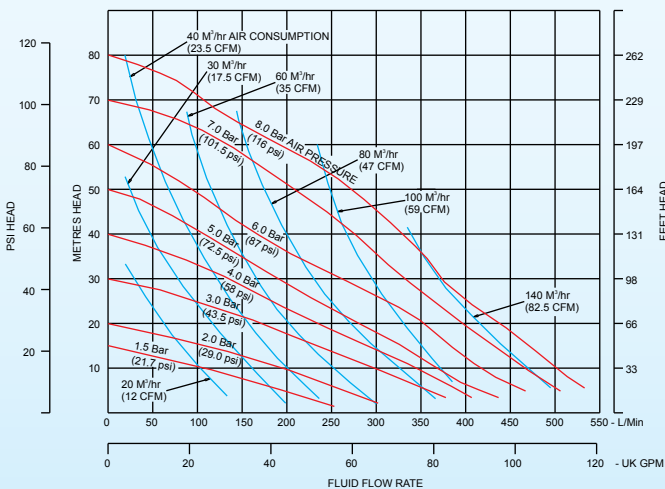
MOULDED NON METALLIC SERIES B50 POLYPROPYLENE & PVDF

Maximum Delivery:	530 ltrs/min
Max. Working Pressure:	8.6 bar
Max. Solid Particle Size:	6 mm.
Air Inlet:	3/4" BSP(F)
Temperature Limits:	Determined by Elastomers
Suction Lift (Dry):	6.1 m.
Suction Lift (Wet):	7.6 m.
Fluid Inlet/Outlet:	2" ANSI #150 RF Flanged
Installation:	Surface mounted
Accessories Included:	Exhaust Air Silencer

Shipping Weights:

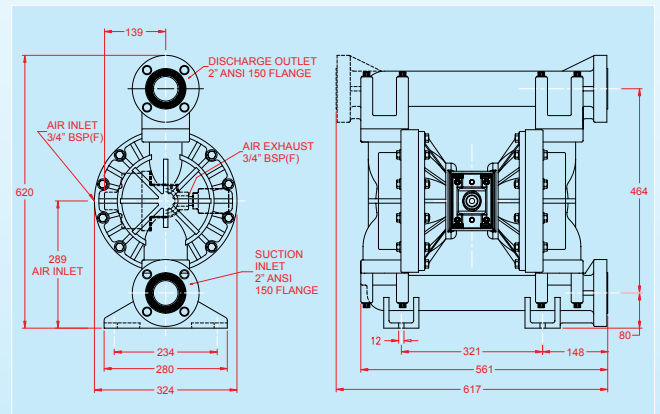
Polypropylene/Aluminium	39.5 kg.
Polypropylene/Stainless	50.5 kg.
PVDF/Aluminium	50.5 kg.
PVDF/Stainless	70 kg.

Performance curve



Note: The above performance curve has been determined under the following conditions: flooded suction, pumping clean water through a calibrated electronic flow meter with pulsation dampener and silencer fitted.

Shipping Dimensions: 630 x 380 x 670 mm.



Metallic Series

- Air valve designed for in-line maintenance
- End ported for improved flow
- Pressures to 8.6 bar
- Flow rates up to 530 litres/minute
- Bolted construction for greater integrity
- Robust construction



TYPICAL CODE = B50. 05. AA. BB. BBB - LF

MODEL - B50 : Standard X50 : ATEX approved	LUBE FREE VALVE SEATS A : ALUMINIUM S : 316 STAINLESS STEEL N : NEOPRENE B : BUNA-N E : EPDM T : PTFE VALVE BALLS B : BUNA-N N : NEOPRENE E : EPDM V : VITON S : 316 STAINLESS STEEL T : PTFE DIAPHRAGMS B : BUNA-N T : PTFE H : POLYESTER P : POLYURETHANE O : ONE PIECE N : NEOPRENE R : SANTOPRENE V : VITON E : EPDM
DESIGN LEVEL	
WETTED COMPONENTS A : ALUMINIUM C : CAST IRON	
NON-WETTED COMPONENTS A : ALUMINIUM C : CAST IRON	
VALVE TYPE B : BALL W : WEIGHTED	
SUCTION ORIENTATION B : BOTTOM	

TECHNICAL DATA;

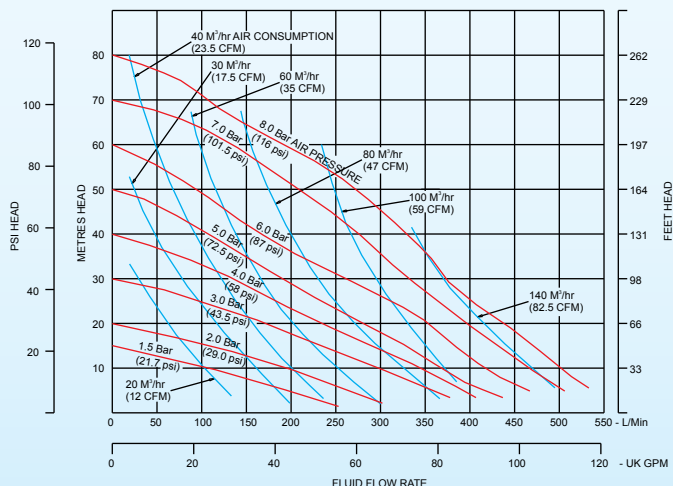
METALLIC SERIES B50 ALUMINIUM & CAST IRON

Maximum Delivery:	530 ltrs/min
Max. Working Pressure:	8.6 bar
Max. Solid Particle Size:	6 mm.
Air Inlet:	3/4" BSP(F)
Temperature Limits:	Determined by Elastomers
Suction Lift (Dry):	6.1 m.
Suction Lift (Wet):	7.6 m.
Fluid Inlet/Outlet:	2" BSP(F)
Installation:	Surface mounted
Accessories Included:	Exhaust air Silencer

Shipping Weights:

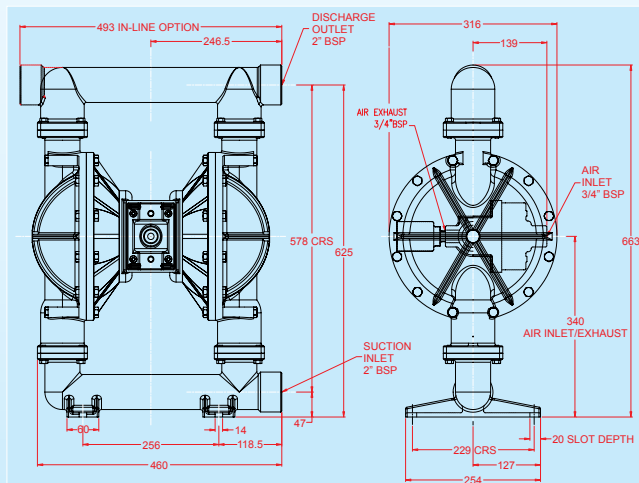
Aluminium	38 kg.
Cast Iron/Aluminium	63 kg.
Cast Iron	90 kg.

Performance curve



Note: The above performance curve has been determined under the following conditions: flooded suction, pumping clean water through a calibrated electronic flow meter with pulsation dampener and silencer fitted.

Shipping Dimensions: 540 x 350 x 750 mm.



Metallic Series

- Simple construction, easy to maintain
- Self priming, ideal for emptying containers
- Pressures to 8.6 bar
- Flow rates up to 530 litres/minute
- Bolted construction for greater integrity
- 316 Stainless Steel



TYPICAL CODE = B50. 05. SA. BB. BBS - LF

MODEL - B50 : Standard X50 : ATEX approved	LUBE FREE VALVE SEATS A : ALUMINIUM S : 316 STAINLESS STEEL N : NEOPRENE B : BUNA-N E : EPDM V : VITON VALVE BALLS B : BUNA-N N : NEOPRENE E : EPDM T : PTFE S : 316 STAINLESS STEEL V : VITON DIAPHRAGMS B : BUNA-N E : EPDM H : POLYESTER P : POLYURETHANE T : PTFE R : SANTOPRENE N : NEOPRENE
DESIGN LEVEL	
WETTED COMPONENTS S : 316 STAINLESS STEEL	
NON-WETTED COMPONENTS A : ALUMINIUM C : CAST IRON S : 316 STAINLESS STEEL	
VALVE TYPE B : BALL W : WEIGHTED	
SUCTION ORIENTATION B : BOTTOM	

TECHNICAL DATA;

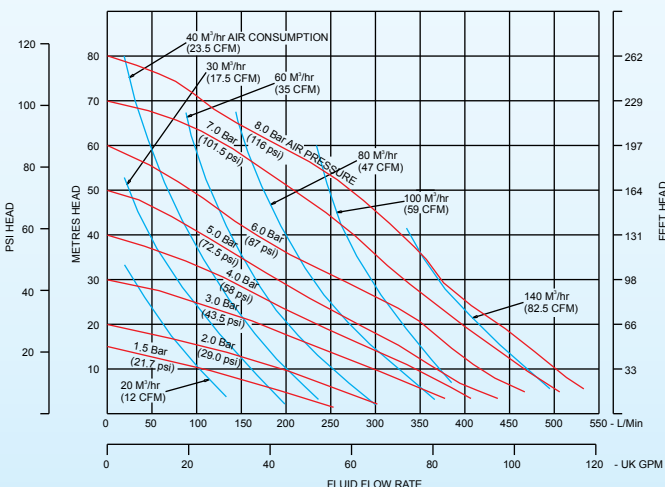
METALLIC SERIES B50 STAINLESS STEEL

Maximum Delivery:	530 ltrs/min
Max. Working Pressure:	8.6 bar
Max. Solid Particle Size:	6 mm.
Air Inlet:	3/4" BSP(F)
Temperature Limits:	Determined by Elastomers
Suction Lift (Dry):	6.1 m.
Suction Lift (Wet):	7.6 m.
Fluid Inlet/Outlet:	2" BSP(F)
Installation:	Surface mounted
Accessories Included:	Exhaust air Silencer

Shipping Weights:

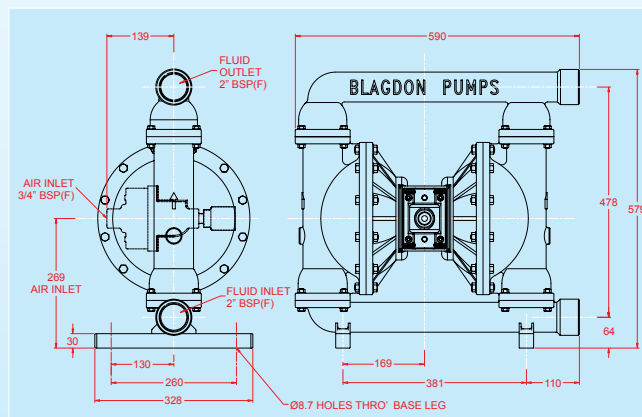
Stainless Steel/Aluminium	70 kg.
Stainless Steel	95.5 kg.
Stainless Steel/Cast Iron	95.5 kg.

Performance curve



Note: The above performance curve has been determined under the following conditions: flooded suction, pumping clean water through a calibrated electronic flow meter with pulsation dampener and silencer fitted.

Shipping Dimensions: 630 x 380 x 670 mm.



Full Flow High Pressure

- Robust construction, easy to maintain
- Can easily handle viscous, high S.G and high head applications
- Smooth action, less vibration and wear
- Pressures to 16 bar
- Flow rates up to 350 litres/minute
- Bolted construction for greater integrity
- Reliable pneumatic air valve
- Stalls against closed head without damage.
- Re-start on demand



TYPICAL CODE = B50.05.SA.W3.BBS

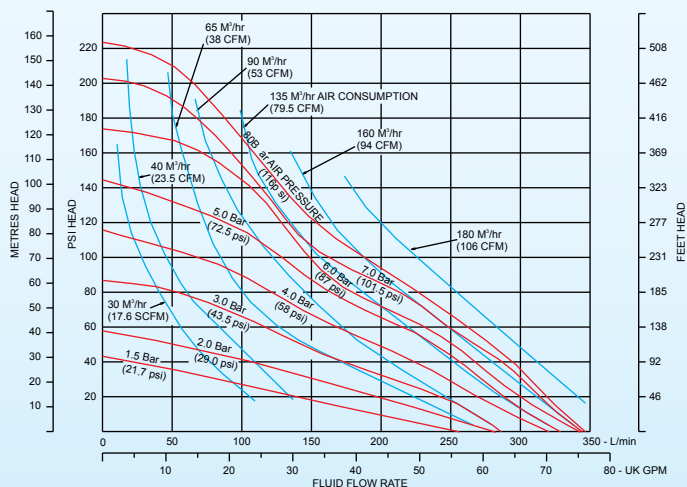
MODEL - B50 : Standard X50 : ATEX approved	VALVE SEATS S : 316 STAINLESS STEEL A : ALUMINIUM
DESIGN LEVEL	VALVE BALLS B : BUNA-N N : NEOPRENE E : EPDM V : VITON T : PTFE S : 316 STAINLESS STEEL
WETTED COMPONENTS S : 316 STAINLESS STEEL A : ALUMINIUM	DIAPHRAGMS B : BUNA-N N : NEOPRENE E : EPDM H : POLYESTER P : POYURETHANE V : VITON T : PTFE R : SANTOPRENE O : ONE PIECE
NON-WETTED COMPONENTS A : ALUMINIUM	
VALVE TYPE B : BALL W : WEIGHTED	
MODEL DESIGNATION	

TECHNICAL DATA;

METALLIC SERIES-FULL FLOW 2:1 B50 STAINLESS STEEL, ALUMINIUM

Maximum Delivery:	350 ltrs/min
Max. Working Pressure:	16 bar
Max. Solid Particle Size:	6 mm.
Air Inlet:	3/4" BSP(F)
Max Air Inlet:	8 bar
Temperature Limits:	Determined by Elastomers
Suction Lift (Dry):	6.1 m.
Suction Lift (Wet):	7.6 m.
Fluid Inlet/Outlet:	2" BSP(F)
Installation:	Surface mounted
Accessories Included:	Exhaust air Silencer

Performance curve

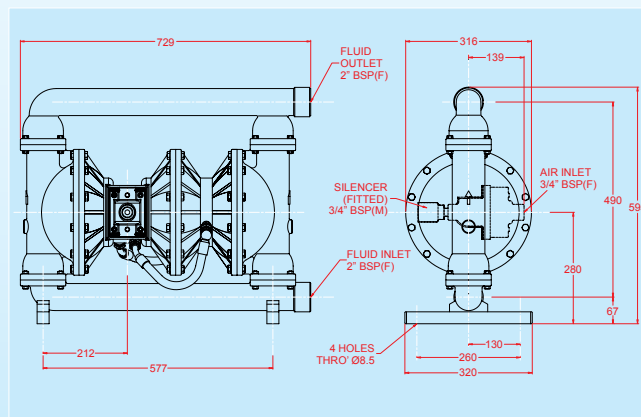


Note: The above performance curve has been determined under the following conditions: flooded suction, pumping clean water through a calibrated electronic flow meter with pulsation dampener and silencer fitted.

Shipping Weights:

Aluminium	52 kg.
Stainless Steel/Aluminium	78 kg.

Shipping Dimensions: 850 x 450 x 800 mm.



The above drawing shows Stainless Steel only.

Hygienic Series

- Range of DIN/RJT and Ferrule connections
- Self priming for emptying containers
- Food grade elastomers-EPDM/PTFE
- Pressures to 8.6 bar
- Capable of handling high viscosity & S.G
- Certified CIP cleanable
- EU Design approval
- 316 Stainless steel
- Pump stand option for 180° rotation in place



TYPICAL CODE = B50. 05. ZF. BB. EEE - LF

MODEL - B50 Standard X50: ATEX approved	LUBE FREE
DESIGN LEVEL	VALVE SEATS E : FOOD GRADE EPDM T : PTFE
WETTED COMPONENTS Z : 316 STAINLESS STEEL (ELECTRO POLISHED)	VALVE BALLS E : FOOD GRADE EPDM T : PTFE S : 316 STAINLESS STEEL
NON-WETTED COMPONENTS S : 316 STAINLESS STEEL F : NICKEL PLATED ALUMINIUM	DIAPHRAGMS E : FOOD GRADE EPDM O : ONE PIECE PTFE
VALVE TYPE B : BALL	
SUCTION ORIENTATION B : BOTTOM	

TECHNICAL DATA;

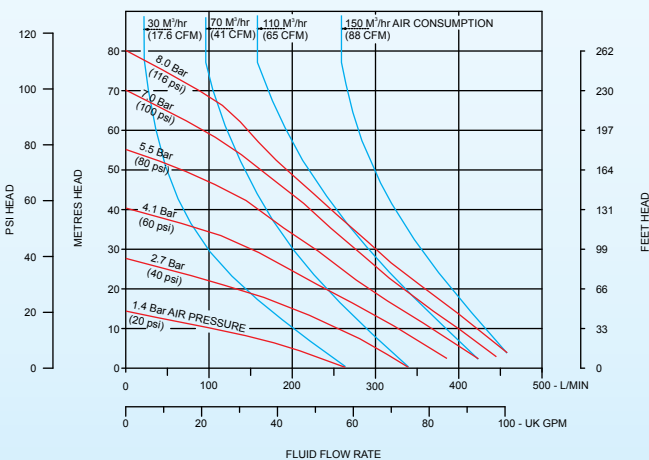
HYGIENIC SERIES B50 STAINLESS STEEL

Maximum Delivery:	500 ltrs/min
Max. Working Pressure:	8.6 bar
Max. Solid Particle Size:	10 mm.
Air Inlet:	3/4" BSP(F)
Temperature Limits:	Determined by Elastomers
Suction Lift (Dry):	6.1 m.
Suction Lift (Wet):	7.6 m.
Fluid Inlet/Outlet:	2" RJT (Standard)
Installation:	Surface mounted
Accessories Included:	Exhaust air Silencer

Shipping Weights:

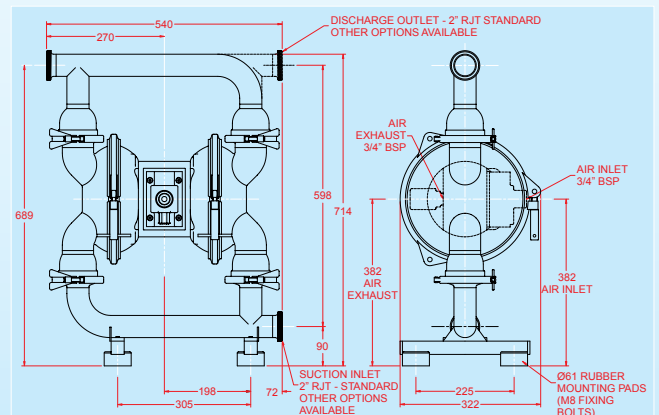
Stainless Steel 64 kg.

Performance curve



Note: The above performance curve has been determined under the following conditions: flooded suction, pumping clean water through a calibrated electronic flow meter with pulsation dampener and silencer fitted.

Shipping Dimensions: 660 x 430 x 880 mm.

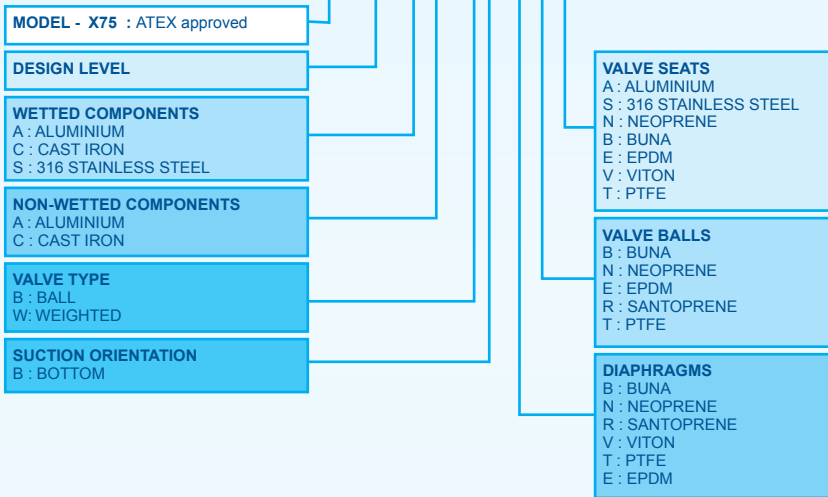


Metallic Series

- Air valve will not stall in mid position
- Air valve designed for in-line maintenance
- End ported for improved flow
- Pressures to 7 bar
- Flow rates up to 889 litres/minute
- Bolted construction for greater integrity
- Robust construction



TYPICAL CODE = X75. 01. AA. BB. BBB



TECHNICAL DATA;

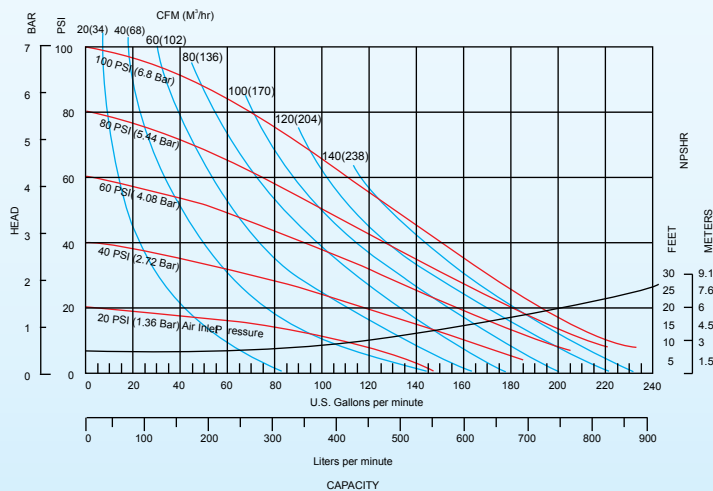
METALLIC SERIES X75

Maximum Delivery:	889 ltrs/min
Max. Working Pressure:	7 bar
Max. Solid Particle Size:	10 mm.
Air inlet:	3/4" BSP(F)
Temperature Limits:	Determined by Elastomers
Suction Lift (Dry):	4.0 m.
Suction Lift (Wet):	5.0 m.
Fluid Inlet/Outlet:	3" BSP(F)
Installation:	Surface mounted
Accessories Included:	Exhaust air Silencer

Shipping Weights:

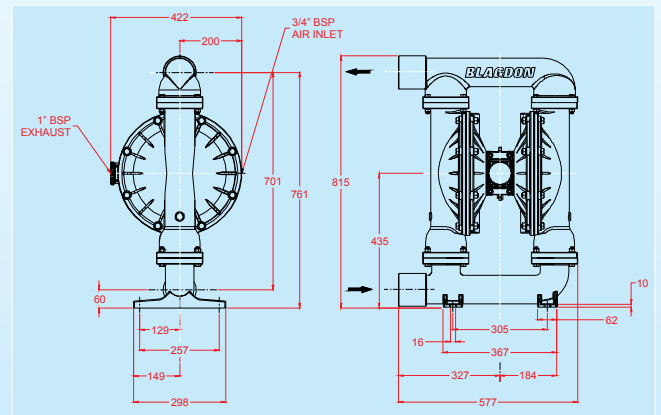
Aluminium	53.5 kg.
Cast Iron/Aluminium	90 kg.
Stainless Steel/Aluminium	90 kg.

Performance curve



Note: The above performance curve has been determined under the following conditions: flooded suction, pumping clean water through a calibrated electronic flow meter with pulsation dampener and silencer fitted.

Shipping Dimensions: 720 x 350 x 900 mm.



Submersible Centrifugal Pump

Industries

Mining
Construction
De-watering
Sewage
Well-pointing



- Submersible
- Designed for underground use
- High intensity spark free
- Robust construction
- Modular construction, easy to maintain
- Spring loaded vanes for immediate start up
- Pumps solid particles up to 6mm
- Viton seal options for higher temperatures
- Integral baseplate/strainer
- Automatic overspeed control
- Integral oil reservoir - automatic lubrication

TECHNICAL DATA;

SUBMERSIBLE CENTRIFUGAL PUMP

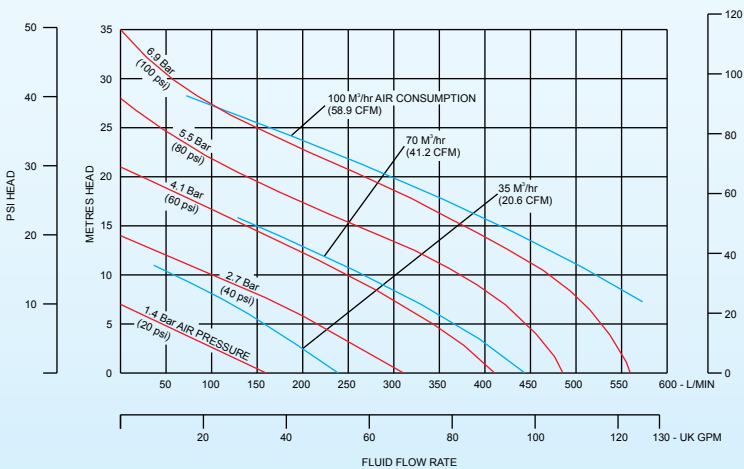
Maximum Delivery:	560 ltrs/min
Max. Working Pressure:	8.6 bar
Max. Solid Particle Size:	6 mm.
Air inlet:	3/4" BSP(F)
Temperature Limits:	Determined by Seals
Suction Lift (Dry):	N/A
Suction Lift (Wet):	N/A
Fluid Inlet/Outlet:	2" BSPT(F)
Installation:	N/A
Accessories Included:	None

Shipping Weights:

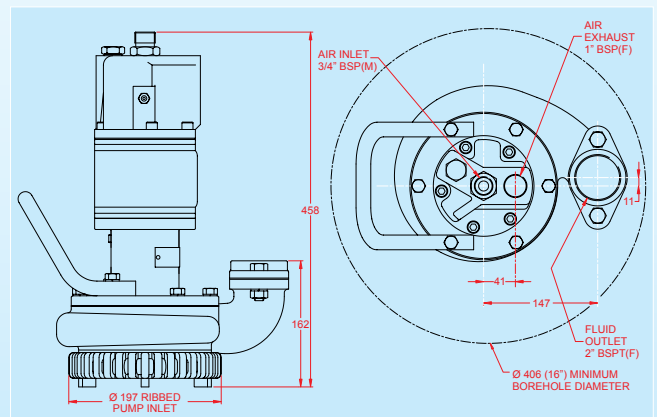
Cast Iron 33 kg.

Shipping Dimensions: 500 x 380 x 260 mm

Performance curve



Note: The above performance curve has been determined under the following conditions: flooded suction, pumping clean water through a calibrated electronic flow meter with pulsation dampener and silencer fitted.



Air Operated Diaphragm Pump Range

1" Stainless Steel 2:1 Pump

- 1" Stainless Steel 2:1 Pump
- c/w Custom Flange Design



1" Stainless with Steam Jacket

- 1" Industrial Stainless Steel Pump
- c/w Steam Jacket



4 Port Pump

- 1" Aluminium 4 Port Pump also available in Polypropylene and Kynar



1/2" Aluminium with Stroke Counter

- 1/2" Aluminium with Stroke Counter



2" Hygienic on Trolley

- 2" Hygienic on Trolley
- c/w Stainless Steel Trolley



1" Hygienic

- 1" Hygienic Pump
- c/w Steam Jackets



Pulsation Dampener

- Virtually pulsation free flows
- Steadier pressures
- Less vibration and noise
- Simple installation
- Variety of sizes and materials
- Automatically self-charging



Flanges

- ANSI 150 as standard - also available:-
 - ANSI 300
 - PN16
 - Food Industry - RJT, DIN, TRI-CLAMP
- Ease of connections to pipework systems



Valve Block with Sensors

- Batch Control
- Linkage to control equipment
- Greater process control
- 10 - 30v DC, PNP normally open



Oil Bottle Assembly

- Exclusive to Blagdon Pump
- Robust heavy duty design
- Suitable for arduous installations
- Safe for underground use - no aluminium



Filter Regulators

- Maintains constant oil density with varying flow
- Remote installation for ease of maintenance
- Ensures clean, filtered air
- Can be controlled independently of other equipment



VISIT THE BLAGDON WEBSITE - INFORMATION IS

BLAGDON PUMP

A unit of

IDEX
IDEX CORPORATION

Contacts

Technical Details

Installation

Troubleshooting

The Blagdon website operates on a 2 click policy. This means that wherever you are within the site it will never take more than 2 clicks to navigate to the information you require, whether that be technical data like a manual or datasheet, or a copy of the Company brochure.

The sites purpose is to have as much information as possible available to our Customers. Detailed opposite is a chart showing some of the most frequently asked questions and where the answers can be found.

Also shown within the web pages are:

- Chemical Resistance Charts
- Kit Revisions
- Index with Components and Drawings
- Viscosity Correction Curve
- Flow Rate Conversion Calculator
- Shipping Weights and Dimensions
- Blagdon Numbering System



Products

Applications

Materials

About Our Pumps

About Blagdon Pump

Blagdon News

Distributors

Literature

Brochure

Brochure available online:

- Brochure available to download
- To view the brochure online go to – LITERATURE
- To order additional copies go to – OTHER ENQUIRIES



Product Literature

Product specific literature is available which includes:

- Technical data
- Performance curves
- Applicable industries/applications
- Available options
- To view this online go to – LITERATURE
- To order additional copies go to – OTHER ENQUIRIES



JUST 2 CLICKS AWAY

[Home](#) [Sitemap](#) [Website FAQ's](#) [Website Feedback](#)

[Other Enquiries](#) [Links](#)

Finding the pump you want couldn't be easier...

Why use an air operated pump?	Go to About Our Pumps
How does an air operated pump work?	Go to Blagdon Pump Tutorial
What options do I have?	Go to Products
Can the pump handle my process?	Go to Technical Details
I'd like to download some technical information	Go to Technical Details
I'd like to download some sales material	Go to Literature
How do I get a quotation?	Go to Contacts
I'd like to speak to a member of staff	Go to Contacts

GLOBAL NETWORK

At Blagdon we are committed to providing our Customers with an exceptional product.

Along with our global network of Distributors, will endeavour at all times to provide unrivalled customer satisfaction.

To find your local Distributor click on DISTRIBUTOR from the home page.

Worldwide Distribution

 Australia	 Austria	 Belgium
 Canada	 Chile	 China
 Columbia	 Czech Republic	 Denmark
 Eire	 Finland	 France
 Germany	 Hong Kong	 Hungary
 India	 Indonesia	 Italy
 Japan	 Korea	 Latvia
 Malaysia	 Netherlands	 Norway
 Pakistan	 Philippines	 Poland
 Russia	 Saudi Arabia	 Singapore
 South Africa	 Spain	 Sweden
 Thailand	 Turkey	 UAE
 UK	 USA	 Venezuela

Notes:

Notes:

BLAGDON PUMP

(IDEX ECO - European Commercial Operations)

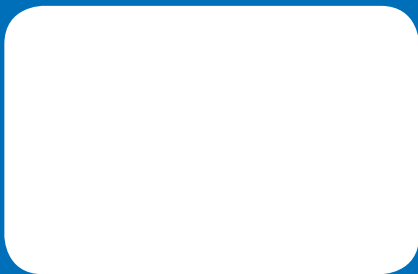
R79 Shannon Industrial Estate, Shannon, Co. Clare, Ireland

Tel: +353 (0) 61 471933 • Fax: +353 (0) 61 475046

E-mail: sales@blagdonpump.com • Web: www.blagdonpump.com



LOCAL DISTRIBUTOR



IDEX LACO

(Latin America Commercial Operations)

Hegel 153-602 Colonia Polanco

11560 Mexico D.F. Mexico

Tel: +52 (55) 5255 1357

Fax: +52 (55) 5255 1356

E-mail: sales@blagdonpump.com

Web: www.blagdonpump.com

IDEX ACO

(Asian Commercial Operations)

IDEX Asia Pacific Pte. Ltd

63 Hillview Ave. #7-08

Lam Soon Industrial Building

Singapore 669-569

Tel: +65 6314 6131

Fax: +65 6764 4020

E-mail: sales@blagdonpump.com

Web: www.blagdonpump.com

www.blagdonpump.com

IDEX
FLUID & METERING