

FILTRATION



156	FILTER FEATURES AND SELECTION	167	Aster filter
		168	Vesubio filter
158	NANOFIBER FILTER	169	HIGH-PERFORMANCE LAMINATED SAND FILTERS
159	DIATOMACEOUS FILTERS	169	Norma filter
159	Clarity filter	170	Delta 1200 & Delta 1000 filters
159	Diatomaceous earth	173	Artic Plus & Artic filters
160	CARTRIDGE FILTERS	175	Aster high performance filters
160	Viron cartridge filter	176	BOBBIN-WOUND SAND FILTERS
160	PRE-FILTERS	176	Berlin filter
160	Hydrospin & Hydrospin Compact	177	MONOBLOCKS
161	OC-1 FILTERS	177	Galactic
161	Aster OC-1 filter	178	SkyPool
162	INJECTION MOULDED SAND FILTERS	179	COMPACTS WITH INTERIOR INSTALLATION
162	Cantabric filter	179	Ramses in-ground compact
163	BLOW-MOULDED SAND FILTERS	179	Keops in-ground compact
163	Millennium filter	180	Ramses Up above ground compact
164	LAMINATED SAND FILTERS	180	COMPACTS WITHOUT INTERIOR INSTALLATION
164	Atlas filter	181	MULTIPORT VALVES
165	Europe Pro - Pro Long filters	188	FILTRATION MEDIA AND ACCESSORIES
166	RapidPool filter		



190	FILTRATION RANGE
191	Cartridge filter - CS
193	Sand filter - MS
195	Filtering media - Crystal Clear

FILTER SELECTION GUIDE

HOW DO YOU SELECT THE FILTER THAT YOU NEED?

A key factor in cleaning pool water is its passage through the filter. This process works in a fully closed circuit. The quality and type of filter are therefore two decisive aspects so that when the water circulates through the system it comes out completely clear.

A filter should be selected based on the following criteria:

1. Type of filter medium. This is a basic decision for setting the level of water clarity, characteristics of use and maintenance.

2. Tank manufacture technology.

This directly affects its resistance, durability and quality of finish.

3. Flow rate (m³/h). Set according to the volume and recirculation time of each pool. Ensure that this matches the recommended flow rate when selecting the pump.

4. Features and added extras.

Remember to always check the space available in your facility to both access and run the filter once selected.



Aster Filter

THERE ARE 3 MAIN TYPES OF FILTER

DIATOMACEOUS EARTH FILTERS

Filtration method that delivers maximum filtration fineness. However, this system requires more time for maintenance.

- Excellent filtration quality
- Compact solution
- Expert installation and maintenance

CARTRIDGE FILTERS

One or more cartridges are used to deliver a high level of filtration fineness. This is also the ideal solution when there are restrictions on space, water consumption and water for filter backwashing.

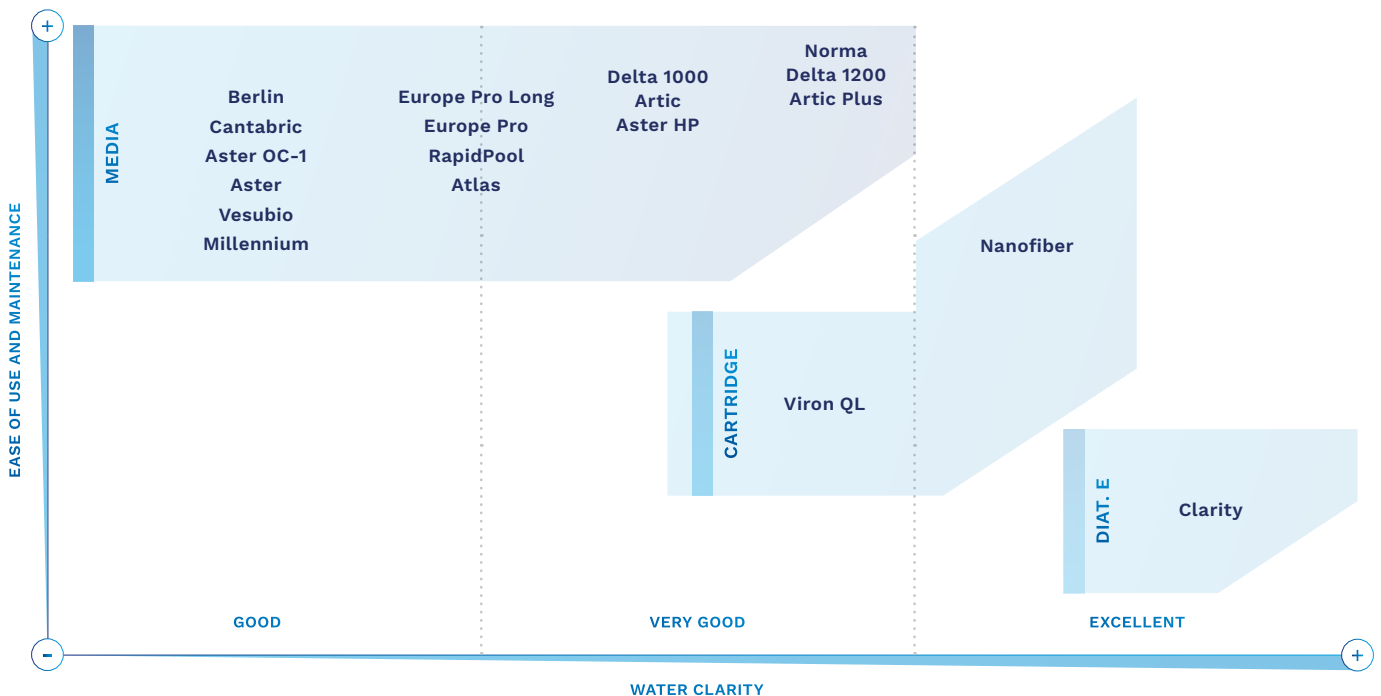
- Very good filtration quality
- Low water consumption
- Compact solution

MEDIA FILTERS

Commonly called **sand filters**, as this is the most widely used filter medium in this type of filter. Other media can be used, such as glass and anthracite, which optimize their performance.

To obtain maximum filtration quality and performance, use filters with the highest filter bed, several layers of filter media and a low filtration speed.

- Robust technology with a great capacity for recovering unkempt water
- Easy to use and maintain
- Value for money



FILTER FEATURES AND SELECTION

	FILTER	TANK		PRODUCT FEATURES					
		Material and technology	Rob. & durab.*	Flow m ³ /h	Diameter	Filtration quality	Connections	Warranty (t/c)**	Other
DIAT. E	 Clarity	Polyester + FG Laminated	5	11-27	610	5	1½"-2" Lateral	2/2	Excellent filtration quality. Durability and reliability of body and components.
CARTRIDGE	 Nanofiber	Injection-molded thermoplastic	3	10-18	402	5	2" Lateral	5/2	Single nanofiber cartridge filter and excellent filtration quality. Manual and automatic backwash using the multiport valve.
	 Viron QL	Injection-molded thermoplastic	3	< 30	690	4	D50	5/2	Multi-cartridge filter. Long period between each cleaning of cartridges.
BED OF MEDIA	 Cantabric	Injection-molded thermoplastic	4	6-30	400-900	2	1½"-2½" Lateral/ Top	10/2	A flagship in filtration for residential pools. High quality and design for good performance over time.
	 Berlin	Polyester + FG Bobbin-wound	6	9-56	500-1,200	2	1½"-D90 Lateral	2/2	Extraordinary reliability and durability due to its dual-layer body. Large cover in diameter to facilitate access.
	 Norma	Polyester + FG Laminated	5	10-34	650-1,200	4	D75-D140 Lateral	2/2	High performance in residential pools. Filter bed height of 1.2 m. Wide range of added extras and accessories.
	 Delta 1200	Polyester + FG Laminated	5	13-45	650-1,200	4	1½"-D90 Lateral	2/2	High performance in residential pools. Filter bed height of 1.2 m. Wide range of added extras and accessories.
	 Artic Plus	Polyester + FG Laminated	5	16-56	650-1,200	4	1½"-4" Lateral	2/2	High performance in residential pools. Filter bed height of 1.2 m. Wide range of added extras and accessories.
	 Delta 1000	Polyester + FG Laminated	5	8-45	500-1,200	4	1½"-D90 Lateral	2/2	High performance in residential pools. Filter bed height of 1.0m. Wide range of added extras and accessories.
	 Artic	Polyester + FG Laminated	5	9-56	500-1,200	4	1½"-4" Lateral	2/2	High performance in residential pools. Filter bed height of 1.0m. Wide range of added extras and accessories.
	 Aster HP	Polyester + FG Laminated	5	9-31	500-900	4	1½"-2½" Lateral	2/2	Filter bed height of 0.8 m in all models with collector arms. Filter bed height of 0.6m in all models with nozzle plates.
	 Atlas	Polyester + FG Laminated	6	9-30	500-900	3	1½"-2½" Lateral	10/2	Top quality and features in its category. Filter designed for the most exacting professionals.
	 Europe Pro Long	Polyester + FG Laminated	5	9-30	500-900	3	1½"-2½" Lateral	2/2	Easy to access thanks to its large cover in diameter. Transparent or polyester cover as options.
	 Europe Pro	Polyester + FG Laminated	5	9-30	500-900	3	1½"-2½" Lateral	2/2	Easy to access thanks to its large cover in diameter. Transparent or polyester cover as options.
	 RapidPool	Polyester + FG Laminated	5	6-24	400-800	5	1½"-2" Lateral	2/2	Rapid access cover. No need for tools to access inside.
	 Aster	Polyester + FG Laminated	5	5-31	350-900	2	1½"-2½" Lateral/ Top	2/2	A classic in AstralPool's filtration with the widest range of choices. Robustness, user friendliness and reliability all in one.
	 Aster OC-1	Polyester + FG Laminated	5	8-32	450-900	2	1½"-2½" Lateral	2/2	Filter specially designed for the cutting-edge medium, OC-1. Saves energy, water and time spent on maintenance.
	 Vesubio	Polyester + FG Laminated	5	8-32	450-900	2	1½"-2½" Lateral/ Top	2/2	Excellent value for money in its category. A laminated filter suitable for any size of pool.
	 Millennium	Blow-molded thermoplastic	2	6-17	380-660	2	1½" Lateral/ Top	2/2	Magnificent finish and resistance in the category of blow-molded filters. Cover all your filtration requirements with the Millennium monobloc.

· All media filters in this table can work equally with sand or glass, except for the Aster OC-1 range.
 · Performance based on internal tests and comparisons.

* Robustness and durability
 ** Warranty for tank / components

Nanofiber filter



Complies with Standard EN 16713-01

DESCRIPTION

Filter for residential pools up to 90m³ characterised by its high-quality filtration: 5-8 microns, self-cleaning function, small size. The NanoFiber filter uses an innovative material that delivers better quality filtration due to its network of nanofibers.

- Easy to use
- Reliable
- Lower water consumption
- Higher water filtration quality
- Compact
- Easy to clean
- Dirt slow to build up without limescale
- Compatible with current filter systems on the market
- Replacement filtration media

	Code	Standard Pack	Standard weight in kg	Standard volume in m ³
NanoFiber Auto 150 filter (10 m ³ /h)	67355-0100	1	10.68	0.116
NanoFiber Auto 180 filter (14 m ³ /h)	67356-0100	1	10.68	0.116
NanoFiber Auto 200 filter (18 m ³ /h)	67357-0100	1	10.68	0.116
Auto adaptor kit	67509	1	3.68	0.027
Replacement filtration media				
NanoFiber 150 filter (10 m ³ /h)	64837	1	9.68	0.093
NanoFiber 180 filter (14 m ³ /h)	64838	1	9.68	0.093
NanoFiber 200 filter (18 m ³ /h)	64839	1	9.68	0.093
For Nanofiber 150	65383	1	1.58	0.022
For Nanofiber 180	65384	1	1.58	0.022
For Nanofiber 200	65385	1	1.58	0.022



Auto versions can be connected to a 07444 manual valve, or a 70769 automatic valve

TECHNICAL FEATURES

Model	Filtration surface area (m ²)	Flow rate (m ³ /h)	Max. pool volume (m ³)
NanoFiber 150	4,5	10	70
NanoFiber 180	5,2	14	80
NanoFiber 200	6,0	18	90



Handles
Easier to open and transport

Flow rate range
From 10 to 18 m³/h

Maximum temperature
40°C

Connections
2"



Pressure gauge
Max. pressure 2.5 bar

Tinted plastic
easy to check the level of dirt in the water

Filtration quality
Up to 5-8 microns (μ)

Functions:
Filtration and backwashing

DIATOMACEOUS FILTERS

Clarity filter



Complies with Standard
EN 16713-01

DESCRIPTION

Made in polyester and fibreglass. Supplied with pressure gauge, air vent and side mounted multiport valve.
Filtration velocity 4.9 m³/h/m².

	Code	Standard Pack	Standard weight in kg	Standard volume in m ³
Filters Ø 600 mm				
11000 l/h Outlet 1½" Model DE-24	11619	1	34.0	0.410
16400 l/h Outlet 1½" Model DE-36	11620	1	39.0	0.460
21800 l/h Outlet 2" Model DE-48	11621	1	44.0	0.550
27300 l/h Outlet 2" Model DE-60	11622	1	48.0	0.610

Multiport valve for Clarity filter



DESCRIPTION

This valve is valid only for the diatomaceous earth filter "Clarity".

	Code	Standard Pack	Standard weight in kg	Standard volume in m ³
Multiport valve with filter connections (config. 2)				
For D.E. filter 1½"	15385	6	15.5	0.079
For D.E. filter 2"	15389	6	22.7	0.158

Diatomaceous earth



DESCRIPTION

	Code	Standard Pack	Standard weight in kg	Standard volume in m ³
Celatom FW-60. 20 Kgs bag	03247	1	20	0.60
Celite 545. 23 Kgs bag	03246	1	23	0.60

Viron cartridge filter



DESCRIPTION

Manufactured in injection-moulded plastic and suitable for high-pressure applications. Easy-access closing system, filtration surfaces of 39m² or 50m² enabling prolonged intervals between each cleaning operation or cartridge replacement. Includes water purge, oil pressure gauge and connection accessories. 5-year guarantee on the tank. Complies with filtration requirements as per standard EN 16713-1.

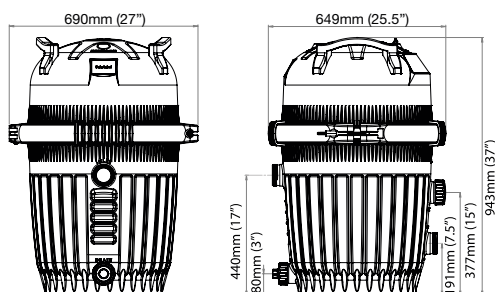
	Code	Standard Pack	Standard weight in kg	Standard volume in m ³
Viron QL 420 cartridge filter	76340	1	48	0.252
Viron QL 540 cartridge filter	76341	1	50	0.355

TECHNICAL FEATURES

Model	Filtration area	Maximum flow rate	Weight	Height
Viron QL 420	39 m ²	500 lpm	35 kg	943 mm
Viron QL 540	50 m ²	500 lpm	40 kg	943 mm



Complies with Standard EN 16713-01



PRE-FILTERS

Hydrospin & Hydrospin Compact



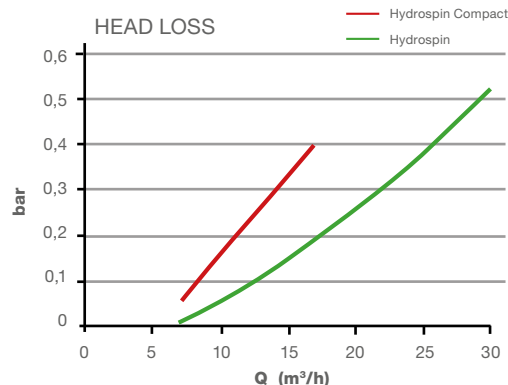
DESCRIPTION

Hydrocyclone pre-filters can be fitted to filtration systems in both new and old installations. Hydrospin is able to treat flows up to 30 m²/h with a maximum working pressure of 2.5 bars. It is fitted between the pump and the filter and separates out solids of up to 40 micra, thus reducing by half the amount of water consumed for cleaning the filtration system. HydroSpin has a device for collecting solids with three separate areas (settling, clarifying and clouding). It can be cleaned using just five litres of water without having to stop the pump.

	Code	Standard Pack	Standard weight in kg	Standard volume in m ³
Hydrospin	45289	1	7.8	0.088
Hydrospin Compact	53743	1	4.0	0.033
Kit for wall installation, for 45289	47158	4	4.2	0.117

TECHNICAL FEATURES

	45289	53743
Working pressure (bar)	2,5	2,5
Connections	Ø 63	Ø 50 thread 2¼"
Purge connection	1"	¾"
Min. flow rate (m ³ /h)	5	3
Max. flow rate (m ³ /h)	30	16.5
Water for cleaning (l)	5	15
Separate solids (micron)	40	60
Floor support	Included	
Wall support	Accessory 47158	Included

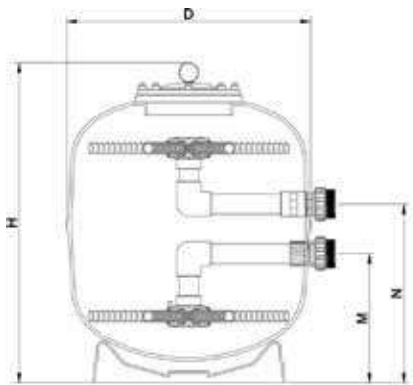


OC-1 FILTERS

Aster OC-1 filter



Complies with Standard EN 16713-01



DESCRIPTION

White laminated polyester and fibreglass filter. Internal parts with special sides for OC-1 media. Filter for side selector valve. ¼" air and water purge. Transparent lid with screws. Maximum temperature: 50°C Maximum pressure 2.5 bar. Maximum filtration speed 50m³/h/m². Filter for OC-1 filtration media. Not compatible with sand, glass or other filter loads.

	Code	Standard Pack	Standard weight in kg	Standard volume in m ³
With multiport side valve				
OC-1 Aster filter 450	68642	1	21	0.23
OC-1 Aster filter 500	68643	1	23	0.28
OC-1 Aster filter 600	68644	1	28	0.39
OC-1 Aster filter 650	68645	1	29	0.45
OC-1 Aster filter 750	68646	1	37	0.62
OC-1 Aster filter 900-2"	68647	1	55	1.27
Without multiport valve				
OC-1 Aster filter 900-2½"	68648	1	55	1.27

TECHNICAL FEATURES

	68642	68643	68644	68645	68646	68647	68648
Ø D (mm)	450	500	600	650	750	900	900
H (mm)	845	855	900	955	1035	1100	1100
M (mm)	305	290	330	370	325	365	390
N (mm)	430	415	455	495	555	635	660
Connections	1½"	1½"	1½"	1½"	2"	2"	2½"
Flow (m ³ /h) at 50 m ³ /h/m ²	8	10	14	17	22	32	32
Maximum pressure (kg/cm ²)	2.5	2.5	2.5	2.5	2.5	2.5	2.5
Pool volume (m ³)	64	72	112	120	168	240	240
Filtration surface (m ²)	0.159	0.196	0.283	0.332	0.442	0.636	0.636
OC-1 volume (L)	44	59	78	125	181	313	313
OC-1 (kg)	9	12	16	25	36	63	63
Net weight (kg)	18	20	25	26	33	50	50

OC-1

THE FUTURE OF SWIMMING POOL FILTRATION


SAVE TIME

Reduce your cleaning frequency to one third of traditional media.


SAVE WATER

Unique filtration method reduces water consumption by up to 70%.


WATER QUALITY

Consistent filtration and water quality because of stable flow.


SAVE POWER

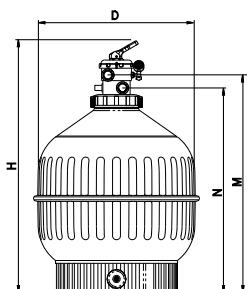
Great reduction in filter's head loss makes it possible to use smaller pumps or reduce power.

Tested by 

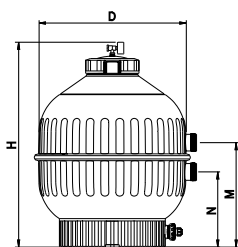
ASTRALPOOL 

OC-1
FILTRATION MEDIA 

Optional:
Standard American sizes



Complies with Standard
EN 16713-01



- + Injection-moulded filter in technical plastics.
- + Ivory. Thermal-welded joining of top and bottom filter parts.
- + Fitted with a pressure gauge and manual water and air purge valves.
- + Selector valve included.
- + Maximum filtration speed (m³/h/m²).
- + Maximum working pressure: 2.5 kg/cm².
- + Sand and glass compatible (see page 188).
- + Complies with filtration requirements as per standard EN 16713-1.

Cantabric top filter

ASTRALPOOL

DESCRIPTION

Top mounted multiport valve. Threaded filter locking ring in ABS.

	Code	Standard Pack	Standard weight in kg	Standard volume in m ³
6000 l/h Ø 400 mm outlet 1½"	22399	1	10.7	0.23
9000 l/h Ø 500 mm outlet 1½"	15780	1	17.5	0.37
14000 l/h Ø 600 mm outlet 1½"	15781	1	19.9	0.49
21000 l/h Ø 750 mm outlet 1½"	20128	1	30.4	0.83
21000 l/h Ø 750 mm outlet 2"	23866	1	32.1	0.83

Side mounted Cantabric filter

ASTRALPOOL

DESCRIPTION

Clear lid & threaded locking ring in ABS, supplied with side mounted multiport valve.

	Code	Standard Pack	Standard weight in kg	Standard volume in m ³
With multiport side valve				
6,000 l/h Ø 400 mm outlet 1½"	22398	1	9.0	0.15
9,000 l/h Ø 500 mm outlet 1½"	15782	1	15.8	0.29
14,000 l/h Ø 600 mm outlet 1½"	15783	1	17.8	0.40
21,000 l/h Ø 750 mm outlet 2"	15784	1	29.0	0.67
Without multiport valve				
30,000 l/h Ø 900 mm outlet 2½"	22402	1	49.0	1.30

TECHNICAL FEATURES

	Top mounted					Side mounted				
	22399	15780	15781	20128	23866	22398	15782	15783	15784	22402
Ø D (mm)	400	500	600	750	750	400	500	600	750	900
H (mm)	894	1009	1069	1239	1250	715	800	875	1045	1215
M (mm)	744	829	894	1064	1098	380	415	445	575	675
N (mm)	680	765	830	1000	1023	255	290	320	345	405
Connections	1½"	1½"	1½"	1½"	2"	1½"	1½"	1½"	2"	2½"
Flow rate (m ³ /h)	6	9	14	21	21	6	9	14	21	30
Approx. pool volume (m ³) (8 hours)*	48	72	112	168	168	48	72	112	168	240
Sand load (kg)	60	100	150	300	300	60	100	150	300	550
Grade 1 glass load (57011) (kg)	50	88	100	200	200	50	88	100	200	375
Grade 3 glass load (57013) (kg)	0	0	25	50	50	0	0	25	50	100
Net weight (kg)	8	14	15	23	25	7	12	14	24	34
Package volume (m ³)	0.2	0.37	0.49	0.83	0.83	0.15	0.29	0.4	0.67	1.3

Fitted with sand dump port of Ø 2" in Ø 750 mm & Ø 900 mm models, and of 1½" in Ø 400, Ø 500 & Ø 600 mm models.
* 8 hours turnover rate.

BLOW-MOULDED SAND FILTERS

- + Blow-moulded in a single seamless piece of plastic.
- + Fitted with a pressure gauge and integrated air purge and manual water drain.
- + Selector valve included.
- + Maximum working pressure: 2.5 kg/cm² for filter Ø 380 mm, Ø 430 mm and Ø 480 mm, and 2 kg/cm² for filter Ø 560 mm and Ø 660 mm.
- + Sand- and glass-compatible (see page 188).
- + Complies with filtration requirements as per standard EN 16713-1.



Complies with Standard EN 16713-01

Optional:
Standard American sizes

Millennium filters with Top mounted valve



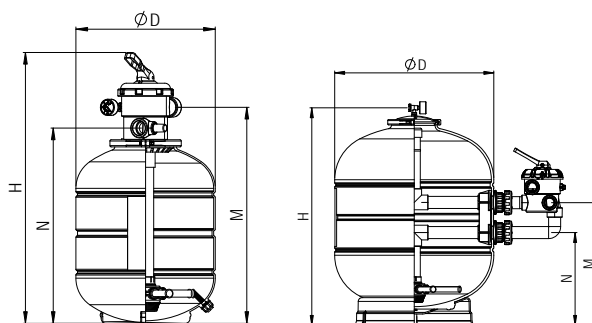
	Code	Standard Pack	Standard weight in kg	Standard volume in m ³
Ø 380 mm - 5500 l/h outlet 1½"	33814	1	12.0	0.17
Ø 430 mm - 7000 l/h outlet 1½"	33815	1	14.0	0.17
Ø 480 mm - 9000 l/h outlet 1½"	33816	1	16.0	0.24
Ø 560 mm - 12000 l/h outlet 1½"	33817	1	17.0	0.35
Ø 660 mm - 17000 l/h outlet 1½"	33818	1	24.5	0.52

Millennium filters with side mounted valve



Complies with Standard EN 16713-01

	Code	Standard Pack	Standard weight in kg	Standard volume in m ³
Ø 380 mm - 5500 l/h outlet 1½"	35321	1	10.5	0.13
Ø 430 mm - 7000 l/h outlet 1½"	22497	1	13.0	0.13
Ø 480 mm - 9000 l/h outlet 1½"	22499	1	16.0	0.18
Ø 560 mm - 12000 l/h outlet 1½"	22501	1	18.0	0.26
Ø 660 mm - 17000 l/h outlet 1½"	28254	1	29.0	0.42



TECHNICAL FEATURES

	Top monoblock	Side monoblock
	28299	28301
Ø D (mm)	660	660
Pump	Sena	Sena
Power (HP)	1.25	1.25
Voltage (V)	230 II	230 II
Voltage (V)	50	50

TECHNICAL FEATURES

	A - Top mounted filter					B - Side mounted filter				
	33814	33815	33816	33817	33818	35321	22497	22499	22501	28254
Ø D (mm)	380	430	480	560	660	380	430	480	560	660
H (mm)	820	835	870	945	1050	615	655	682	770	900
M (mm)	650	665	700	775	880	225	265	292	380	510
N (mm)	585	600	635	710	815	100	140	167	255	385
Length L (mm)	-	-	-	-	-	-	-	-	-	-
Connections	1½"	1½"	1½"	1½"	1½"	1½"	1½"	1½"	1½"	1½"
Flow rate (m ³ /h)	5.5	7	9	12	17	5.5	7	9	12	17
Pool volume approx. (m ³)	up to 40	40-50	50-75	75-100	140	up to 40	40-50	50-75	75-100	140
Sand load (kg)	± 40	± 60	± 80	± 110	± 180	± 40	± 60	± 80	± 110	± 180
Grade 1 glass load (57011) (kg)	± 35	± 50	± 70	± 90	± 150	± 35	± 50	± 70	± 90	± 150
Grade 3 glass load (57013) (kg)	0	0	0	0	25	0	0	0	0	25
Maximum pressure (kg/cm ²)	2.5	2.5	2.5	2	2	2.5	2.5	2.5	2	2
Net weight (kg)	12	13.5	15	16.5	24	10	12	15	17.5	28
Package volume (m ³)	0.17	0.17	0.24	0.35	0.52	0.13	0.13	0.18	0.26	0.42

- + Filters manufactured in fibreglass and polyester resin.
- + With a gelcoat external finish. As a result, the body is highly resistant, durable and has an excellent finish.
- + Internal components and accessories in high quality engineering plastics.
- + Compatible with sand and glass, among others (see page 188).
- + They comply with filtration requirements as per standard EN 16713-1.

Atlas filter



Complies with Standard EN 16713-01

DESCRIPTION

Sand and glass filters, among others, made from reinforced polyester. Complies with filtration requirements as per standard EN 16713-1.

Technical features:

- Made of polyester resin and fibreglass.
- Excellent finish with gel-coat colour RAL 8029.
- The filter has been designed with higher coefficient of security, to guarantee a perfect operation.
- The union of the two bodies of the filter is carried out through a seal specially reinforced with fibreglass and polyester resin.
- Transparent plastic cover highly resistant to chemicals.
- High reliability screw-in cover.
- Fitted with 1" collector arms and diffuser made from unplasticized PVC.
- Interior pipe with tubes of PN-16.
- 2½" sand discharge outlet.
- Fitted with pressure gauge, air purge and manual water drain.
- Connections to multiport valve with six positions: filter, backwash, rinse, recirculate, waste and closed.
- Innovation by AstralPool: the filter has a built-in safety valve to prevent pressure surges.
- Maximum pressure: 2.5 kg/cm².

	Code	Standard Pack	Standard weight in kg	Standard volume in m ³
Includes multiport valve				
Ø 500 mm outlet 1½"	36596	1	20	0.29
Ø 600 mm outlet 1½"	36597	1	25	0.41
Ø 750 mm outlet 2"	36598	1	33	0.77
Multiport valve not included				
Ø 900 mm outlet 2½"	36599	1	51	1.23

* Figures without valve

TECHNICAL FEATURES

Code	36596	36597	36598	36599
Ø Filter (mm)	500	600	750	900
Connections	1½"		2"	2½"
Filtering surface (m ²)	0.19	0.30	0.44	0.64
Filtering velocity (m ³ /h/m ²)	50			
Flow rate (m ³ /h)	9.5	15	22	30
Maximum pressure (kg/cm ²)	2.5			
Sand load (kg)	120	190	360	580
Grade 1 glass load (57011) (kg)	100	150	225	375
Grade 3 glass load (57013) (kg)	0	0	50	100
Net weight (kg)	20	25	33	51



Sand drain of 2 ½" and water drain of ¾" with security valve.

LAMINATED SAND FILTERS

Europe Pro - Pro Long filters



DESCRIPTION

Filters manufactured in fibreglass and polyester resin Complies with filtration requirements as per standard EN 16713-1. Sand and glass compatible (see page 188).

- Filter colour (Ral5015)
- 1/4" purge valve.
- 2 1/2" sand discharge
- Polyester or methacrylate cover with screws.
- Diameter of top access: 285 mm.
- Maximum pressure: 2.5 bar.

	Code	Standard Pack	Standard weight in kg	Standard volume in m ³
Pro version				
With methacrylate cover				
9500 l/h Ø 500 mm output 1 1/2"	64990	1	15	0.33
15000 l/h Ø 600 mm output 2"	64991	1	20	0.45
22000 l/h Ø 750 mm output 2"	64992	1	25	0.83
30000 l/h Ø 900 mm output 2 1/2"	64993	1	46	1.43
With polyester cover				
9500 l/h Ø 500 mm output 1 1/2"	64986	1	15	0.33
15000 l/h Ø 600 mm output 2"	64987	1	20	0.45
22000 l/h Ø 750 mm output 2"	64988	1	25	0.83
30000 l/h Ø 900 mm output 2 1/2"	64989	1	46	1.43
Pro Long version				
With methacrylate cover				
9500 l/h Ø 500 mm output 1 1/2"	64998	1	23	0.33
15000 l/h Ø 600 mm output 2"	64999	1	26	0.45
22000 l/h Ø 750 mm output 2"	65000	1	34	0.83
30000 l/h Ø 900 mm output 2 1/2"	65002	1	65	1.43
With polyester cover				
9500 l/h Ø 500 mm output 1 1/2"	64994	1	23	0.33
15000 l/h Ø 600 mm output 2"	64995	1	26	0.45
22000 l/h Ø 750 mm output 2"	64996	1	34	0.83
30000 l/h Ø 900 mm output 2 1/2"	64997	1	65	1.43

* Figures without valve

TECHNICAL FEATURES

	Pro version				Pro Long version			
	64990	64991	64992	64993	64998	64999	65000	65002
With methacrylate cover	64990	64991	64992	64993	64998	64999	65000	65002
With polyester cover	64986	64987	64988	64989	64994	64995	64996	64997
Ø D (mm)	500	600	750	900	500	600	750	900
Connection	1 1/2"	2"	2"	2 1/2"	1 1/2"	2"	2"	2 1/2"
Selector valve code	00599	28476	28512	24837	00599	28476	28512	24837
Filtration surface area (m ²)	0.19	0.3	0.44	0.64	0.19	0.3	0.44	0.64
Filtration velocity (m ³ /h/m ²)	50				50			
Flow (m ³ /h) at 50 m ³ /h/m ²	9.5	15	22	30	9.5	15	22	30
Maximum pressure (kg/cm ²)	2.5				2.5			
Sand load (kg)	120	190	360	580	155	240	430	615
Grade 1 glass load (57011) (kg)	100	150	250	375	100	150	275	400
Grade 3 glass load (57013) (kg)	0	0	50	100	25	50	75	100
Net weight (kg)	15	20	25	46	20	25	33	51
Depth of filter bed (mm)	390	445	530	645	520	565	620	680



Complies with Standard EN 16713-01

RapidPool filter

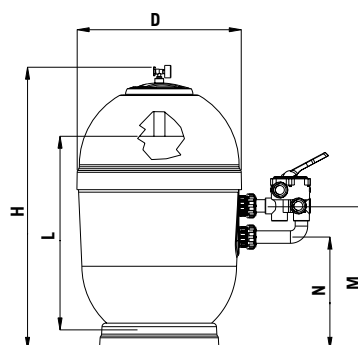
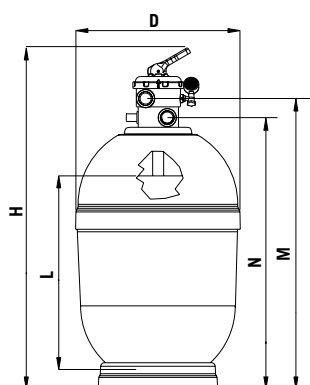

 Complies with Standard
EN 16713-01

**Filtration bed
0.6 m**

DESCRIPTION

Laminated in reinforced polyester with fibreglass. Red, polypropylene base, screw-free lid, cap for sand and water discharge, pressure gauge and air purge incorporated in the lid and side selector valve. Maximum filtration speed 50/h/m². Maximum pressure: 2.5 bar. Sand and glass compatible (see page 188).

	Code	Standard Pack	Standard weight in kg	Standard volume in m ³
Top mounted valve version				
6000 l/h Ø 400 mm outlet 1½"	32427	1	19	0.200
9000 l/h Ø 500 mm outlet 1½"	32428	1	25	0.355
15000 l/h Ø 650 mm outlet 1½"	32429	1	34	0.600
24000 l/h Ø 800 mm outlet 2"	33849	1	45	1.050
Side mounted valve version				
6000 l/h Ø 400 mm outlet 1½"	00488	1	19	0.150
9000 l/h Ø 500 mm outlet 1½"	00489	1	25	0.280
15000 l/h Ø 650 mm outlet 1½"	00490	1	34	0.500
24000 l/h Ø 800 mm outlet 2"	00491	1	45	0.880



TECHNICAL FEATURES

	With Top mounted multiport valve				With multiport valve			
	32427	32428	32429	33849	00488	00489	00490	00491
Ø Filter (mm)	400	500	650	800	400	500	650	800
H (mm)	1020	1165	1285	1566	860	1032	1126	1272
M (mm)	850	995	1115	1355	442	527	552	592
N (mm)	790	935	1055	1279	317	402	427	362
Connections	1½"	1½"	1½"	2"	1½"	1½"	1½"	2"
Flow (m ³ /h) at 50 m ³ /h/m ²	6	9	15	24	6	9	15	24
Pool volume (m ³) (8 h)	48	72	120	120	48	72	120	192
Sand load (kg)	60	130	255	445	60	130	255	445
Grade 1 glass load (57011) (kg)	50	100	175	275	50	100	175	275
Grade 3 glass load (57013) (kg)	0	0	25	75	0	0	25	75
Sand height (mm)	545	571	650	785	545	571	650	785
Maximum pressure (kg/cm ²)	2.5	2.5	2.5	2.5	2.5	2.5	2.5	2.5
Net weight (kg)	19	25	34	44	15	22	30	45
Package volume (m ³)	0.20	0.355	0.60	1.05	0.16	0.3	0.53	0.9

Aster filter

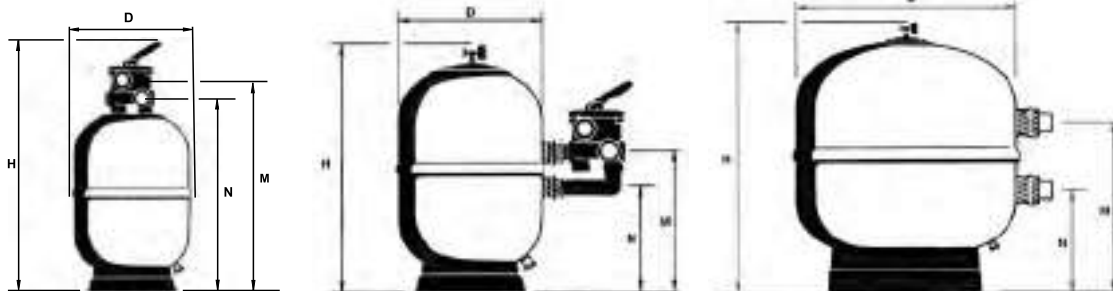
DESCRIPTION

Filter laminated in polyester and fibreglass. Grey, polypropylene base, screw-free lid, cap for sand and water discharge, pressure gauge and side selector valve. Maximum pressure 2.5 bar. Maximum filtration speed 50/h/m². Complies with filtration requirements as per standard EN 16713-1. Sand and glass compatible (see page 188).



Complies with Standard EN 16713-01

	Code	Standard Pack	Standard weight in kg	Standard volume in m ³
With top mounted multiport valve				
5000 l/h Ø 350 mm outlet 1½"	30768	1	17	0.13
8000 l/h Ø 450 mm outlet 1½"	30769	1	20	0.23
9000 l/h Ø 500 mm outlet 1½"	30770	1	22	0.28
14000 l/h Ø 600 mm outlet 1½"	30771	1	27	0.39
15000 l/h Ø 650 mm outlet 1½"	30772	1	28	0.45
21000 l/h Ø 750 mm outlet 2"	33847	1	35	0.62
32000 l/h Ø 900 mm outlet 2"	33848	1	53	1.27
With side mounted multiport valve				
5000 l/h Ø 350 mm outlet 1½"	00497	1	18	0.13
8000 l/h Ø 450 mm outlet 1½"	00498	1	21	0.23
9000 l/h Ø 500 mm outlet 1½"	19781	1	23	0.28
12000 l/h Ø 550 mm outlet 1½"	32706	1	27	0.28
14000 l/h Ø 600 mm outlet 1½"	00499	1	28	0.39
15000 l/h Ø 650 mm outlet 1½"	21071	1	29	0.45
18000 l/h Ø 680 mm outlet 1½"	28479	1	30	0.46
21000 l/h Ø 750 mm outlet 2"	00500	1	37	0.62
32000 l/h Ø 900 mm outlet 2"	08133	1	55	1.27
Without multiport valve				
31000 l/h Ø 900 mm outlet 2½"	00501	1	53	1.27



TECHNICAL FEATURES

	With Top mounted multiport valve							With multiport valve								Without valve	
	30768	30769	30770	30771	30772	33847	33848	00497	00498	19781	32706	00499	21071	28479	00500	08133	00501
Ø D (mm)	350	450	500	600	650	750	900	350	450	500	550	600	650	680	750	900	900
H (mm)	910	965	960	1005	1060	1184	1344	780	795	770	825	850	880	915	945	1050	1050
M (mm)	740	795	790	835	890	973	1133	420	430	415	455	455	480	525	555	635	660
N (mm)	680	785	730	775	830	897	1057	295	305	290	330	330	355	400	325	365	390
Connections	1½"	1½"	1½"	1½"	1½"	2"	2"	1½"	1½"	1½"	1½"	1½"	1½"	1½"	2"	2"	2½"
Flow (m ³ /h) at 50 m ³ /h/m ²	5	8	9	14	15	21	31	5	8	9	12	14	15	18	21	30	30
Pool volume (m ³) (8 h)	40	64	72	112	120	168	240	40	64	72	96	112	120	144	168	240	240
Sand load (kg)	50	70	90	110	200	290	500	50	70	90	110	125	200	210	290	500	500
Grade 1 glass load (57011) (kg)	50	50	75	100	150	175	325	50	50	75	100	100	150	150	175	325	325
Grade 3 glass load (57013) (kg)	0	0	0	0	0	50	75	0	0	0	0	0	0	25	50	75	75
Maximum pressure (kg/cm ²)	2.5	2.5	2.5	2.5	2.5	2.5	2.5	2.5	2.5	2.5	2.5	2.5	2.5	2.5	2.5	2.5	2.5
Net weight (kg)	17	20	22	27	28	35	53	18	21	23	27	28	29	30	37	55	53
Package volume (m ³)	0.13	0.23	0.28	0.39	0.45	0.62	1.27	0.13	0.23	0.28	0.28	0.39	0.45	0.46	0.62	1.26	1.27

Vesubio filter

DESCRIPTION

The Vesubio range has been expanded to reach both the public and private pool sectors. Filters manufactured using simultaneous projection of resin and fibreglass. Threaded lid with high-resistance screws. Ø 210mm top mouth. Ø 1050mm and Ø 1200mm models also available with a top mouth of Ø 400mm. Maximum pressure 2.5 bar. Sand and glass compatible (see page 188).



Complies with Standard EN 16713-01

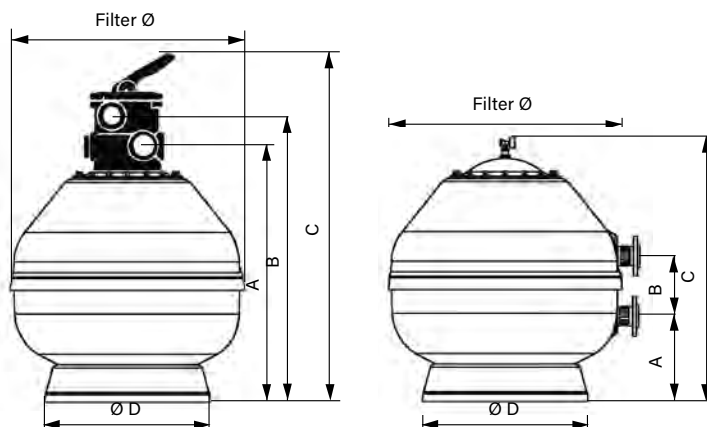
Filters with a side connection up to Ø 1050 mm can use a multiport selector valve (see page 186).

Ø 900 and Ø 1050 mm filters with side outlets are supplied without multiport valve.

	Code	Standard Pack	Standard weight in kg	Standard volume in m ³
Side mount version				
8000 l/h Ø 450 mm outlet 50 mm	15785	1	16	0.200
9000 l/h Ø 500 mm outlet 50 mm	19353	1	20	0.260
14000 l/h Ø 600 mm outlet 50 mm	15786	1	23	0.357
22000 l/h Ø 750 mm outlet 63 mm	15787	1	32	0.595
32000 l/h Ø 900 mm outlet 75 mm	15788	1	48	1.003
43000 l/h Ø 1050* mm outlet 75 mm	15789	1	97	2.052
43000 l/h Ø 1050** mm outlet 75 mm	32391	1	97	2.052
56000 l/h Ø 1200* mm outlet 90 mm	15790	1	130	2.450
56000 l/h Ø 1200** mm outlet 90 mm	32392	1	140	2.430
Top mount version				
8000 l/h Ø 450 mm outlet 50 mm	32430	1	19	0.280
9000 l/h Ø 500 mm outlet 50 mm	32431	1	23	0.350
14000 l/h Ø 600 mm outlet 50 mm	32432	1	26	0.480
22000 l/h Ø 750 mm outlet 63 mm	33850	1	40	0.787
32000 l/h Ø 900 mm outlet 63 mm	33851	1	56	1.276

* Small upper lid of Ø 210 mm

** Upper lid of Ø 400 mm



TECHNICAL FEATURES

	With Top mounted multiport valve					With multiport valve									
	32430	32431	32432	33850	33851	15785	19353	15786	15787	15788	15789	32391	15790	32392	
Ø Filter (mm)	450	500	600	750	900	450	500	600	750	900	1050	1050	1200	1200	
A (mm)	650	690	790	837	987	265	305	325	300	325	435	410	490	490	
B (mm)	710	750	850	913	1063	125	125	125	230	270	270	270	270	270	
C (mm)	880	920	1020	1124	1274	725	765	865	895	1080	1110	1235	1235	1360	
D (mm)	347	400	400	490	625	347	400	400	490	625	760	775	855	940	
Filtration surface area (m ²)	0.16	0.19	0.30	0.44	0.64	0.16	0.19	0.30	0.44	0.64	0.86	0.86	1.13	1.13	
Connections	1½"	1½"	1½"	2"	2"	1½"	1½"	1½"	2"	2½"	2½"	2½"	90	90	
Flow (m ³ /h) at 50 m ³ /h/m ²	8	9	14	22	32	8	9	14	22	32	43	43	56	56	
Pool volume (m ³) (8 hours)	64	72	112	176	256	64	72	112	176	256	344	344	448	448	
Sand load (kg)	60	95	148	245	415	60	95	148	245	415	660	660	1000	1000	
Grade 1 glass load (57011) (kg)	50	75	125	150	275	50	75	125	150	275	500	500	775	775	
Grade 3 glass load (57013) (kg)	0	0	0	50	50	0	0	0	50	50	125	125	200	200	

- Laminated filters with higher filter bed for enhanced performance and filtration quality, both for single-layer and multi-layer filters.
- There are various options to help choose the model that best suits usage and maintenance requirements.
- Compatible with sand, glass and anthracite, among others (see page 189).
- They comply with filtration requirements as per standard EN 16713-1.

Norma filter



DESCRIPTION

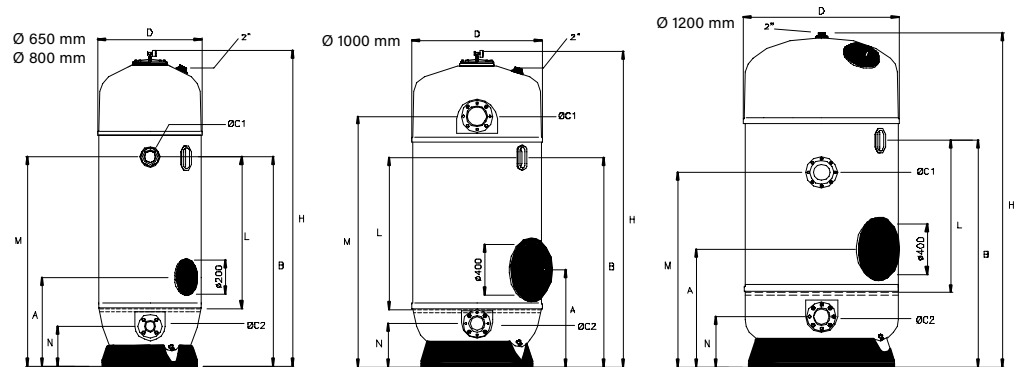
Filter laminated in fibreglass-reinforced polyester (FRP). For single layer or multilayer filling. Maximum pressure 2.5 bar. The Norma filter is designed according to Germany's DIN 19643/19605 standard. Available with a plate collector system (0.5 mm slot) including a manhole cover for inspection of the bottom. Fitted with a sight glass, Ø 200mm top lid for loading sand and Ø 200mm or Ø 400mm side mouth depending on model. Fitted with pressure gauge, air purge and manual water drain. Interiors in PVC and PP. A4 screws and EPDM gaskets. Standard colour: ivory. Options: Vinyl ester coating (ozone resistant, concentrations <0.4 ppm and max temp 40°C). Sand and glass compatible (see page 188).



Code	Standard Pack	Standard weight in kg	Standard volume in m ³
------	---------------	-----------------------	-----------------------------------

Maximum pressure: 2.5 kg/cm²
Filtration velocity 30

Diameter Ø mm	Outlet Ø mm	Flow rate m ³ /h at 30 m ³ /h/m	Code	Standard Pack	Standard weight in kg	Standard volume in m ³
650	90-75	10	08142P	1	100	1.33
800	90-75	15	08143P	1	125	2.00
1.000	140-110	23	08144P	1	145	3.00
1.200	140-140	34	08145P	1	177	5.50



Complies with Standard EN 16713-01

Filtration bed
1.2 m

TECHNICAL FEATURES

	08142P	08143P	08144P	08145P	
D (mm)	650	800	1000	1200	
A (mm)	680	700	770	950	
B (mm)	1660	1640	1655	1790	
H (mm)	2480	2480	2490	2640	
L (mm)	1200	1200	1200	1200	
M (mm)	1650	1650	1980	1600	
N (mm)	320	320	340	400	
Ø C1 (mm)	90	90	140	140	
Ø C2 (mm)	75	75	110	140	
Flow (m ³ /h) at 30 m ³ /h/m ²	10	15	23	33	
MULTILAYER	Anthracite 0.8 - 1.6 mm (l)	148	250	390	564
	Sand 0.4 - 0.8 mm (Kg)	160	271	420	611
	Gravel 1 - 2 mm (Kg)	46	78	120	175
	Gravel 3 - 5 mm (Kg)	46	78	120	175
SINGLE LAYER	Sand load (kg)	451	767	1215	1763
	Gravel load (kg)	46	78	120	175
	Grade 1 glass load (57011) (kg)	275	500	750	1125
	Grade 2 glass load (57012) (kg)	100	150	250	350
	Grade 3 glass load (57013) (kg)	100	175	275	375

Delta 1200 filter



DESCRIPTION

Filter laminated in polyester and fibreglass available in diameters of 650, 800, 1000 and 1200 mm. It has a 1.2-m filter bed and is available with an arm collector system and a plate collector system. Complies with filtration requirements as per standard EN 16713-1.

- DN 200 filter lid with quick-locking system for 650 and 800 models and DN 400 bolt down lid for 1000 and 1200 models.
- DN200 lateral manhole with bolt down cover.
- Filter interior left with natural resin finish.
- EASTAR sightglass as standard. Further sight glasses are available on request.
- Inner pipe and fittings in PVC, PP and ABS.
- Pressure gauge included in filter lid.
- Gaskets in EPDM and all screw fittings in stainless steel.
- Vinylester option. In this case, internal layer is manufactured from vinylester resin (and not only the top layer in contact with the water), to a maximum chemical resistance of 0.4 ppm of ozone dissolved and to a maximum temperature 50°.
- Comes in RAL 5024 blue.



Complies with Standard EN 16713-01

Filtration bed
1.2 m

Code	Standard Pack	Standard weight in kg	Standard volume in m ³
------	---------------	-----------------------	-----------------------------------

Maximum pressure: 2.5 kg/cm²

Conventional collector arms.

Arm slots 0.3 mm

Diameter Ø mm	Outlet Ø mm	Flow rate m ³ /h at 40 m ³ /h/m	Code	Standard Pack	Standard weight in kg	Standard volume in m ³
650	1½"	13.3	36680	1	100	1.50
800	2"	20.1	36681	1	110	1.94
1000	2½"	31.4	36682	1	120	2.31
1200	90	45.2	36683	1	160	3.54

Maximum pressure: 2.5 kg/cm²

Nozzle collector plate.

Nozzle slots 0.5 mm

Diameter Ø mm	Outlet Ø mm	Flow rate m ³ /h at 40 m ³ /h/m	Code	Standard Pack	Standard weight in kg	Standard volume in m ³
650	1½"	13.3	36688	1	114	1.50
800	2"	20.1	36689	1	131	1.94
1000	2½"	31.4	36690	1	150	2.31
1200	90	45.2	36691	1	200	3.54

* Maximum flow and filtration velocity recommended

TECHNICAL FEATURES

	Collector arms				Nozzle collector plate			
	36680	36681	36682	36683	36688	36689	36690	36691
Sand load (kg)	451	767	1325	1763	451	767	1325	1763
Gravel load (kg)	86	156	300	350	46	78	120	175
Grade 1 glass load (57011) (kg)	325	500	850	1125	300	450	750	1050
Grade 2 glass load (57012) (kg)	100	175	275	375	100	150	250	350
Grade 3 glass load (57013) (kg)	100	175	300	400	100	175	275	375

Delta 1000 filter



Complies with Standard EN 16713-01

**Filtration bed
1 m**

**NB: Coding options
according to table on
page 830**

DESCRIPTION

Filter laminated in polyester and fibreglass available in diameters of 650, 800, 1000 and 1200 mm. It has a 1-m filter bed and is available with an arm collector system and a plate collector system. Complies with filtration requirements as per standard EN 16713-1.

- DN 200 filter lid with quick-locking system for 650 and 800 models and DN 400 bolt down lid for 1000 and 1200 models.
- DN200 lateral manhole with bolt down cover.
- Filter interior left with natural resin finish.
- Optional methacrylate sight glass on the Delta 10 model. More than one sight glass can be placed if desired.
- Inner pipe and fittings in PVC, PP and ABS.
- Pressure gauge included in filter lid.
- Gaskets in EPDM and all screw fittings in stainless steel.
- Vinylester option. In this case, internal layer is manufactured from vinylester resin (and not only the top layer in contact with the water), to a maximum chemical resistance of 0.4 ppm of ozone dissolved and to maximum temperature 50°.
- Comes in RAL 5024 blue.

	Code	Standard Pack	Standard weight in kg	Standard volume in m ³
--	------	---------------	-----------------------	-----------------------------------

Maximum pressure: 2.5 kg/cm²
Conventional collector arms.
Arm slots 0.3 mm

Diameter Ø mm	Outlet Ø mm	Flow rate m ³ /h at 40 m ³ /h/m				
500	1½"	8	58682	1	80	1.34
650	1½"	13.3	36676	1	80	1.34
800	2"	20.1	36677	1	90	1.71
1000	2½"	31.4	36678	1	125	2.16
1200	90	45.2	36679	1	150	3.29

Maximum pressure: 2.5 kg/cm²
Nozzle collector plate.
Nozzle slots 0.5 mm

Diameter Ø mm	Outlet Ø mm	Flow rate m ³ /h at 40 m ³ /h/m				
650	1½"	13.3	36684	1	94	1.34
800	2"	20.1	36685	1	111	1.71
1000	2½"	31.4	36686	1	155	2.16
1200	90	45.2	36687	1	190	3.29

* Maximum flow and filtration velocity recommended

TECHNICAL FEATURES

	Collector arms					Nozzle collector plate			
	58682	36676	36677	36678	36679	36684	36685	36686	36687
Sand load (kg)	245	400	640	990	1425	400	640	990	1425
Gravel load (kg)	60	86	156	300	350	46	78	120	175
Grade 1 glass load (57011) (kg)	175	275	450	725	1000	250	400	600	875
Grade 2 glass load (57012) (kg)	50	75	150	225	325	75	125	200	275
Grade 3 glass load (57013) (kg)	75	100	150	250	350	100	125	200	300

TECHNICAL FEATURES



Fast lid opening for diameters 500, 650 and 800



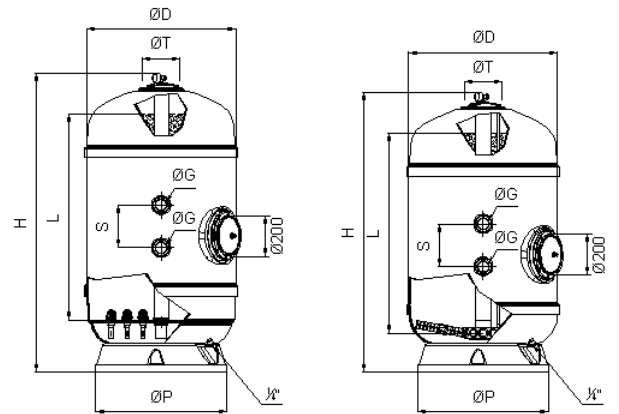
Collector arms detail



Lid D.400 for diameters 1000 and 1200

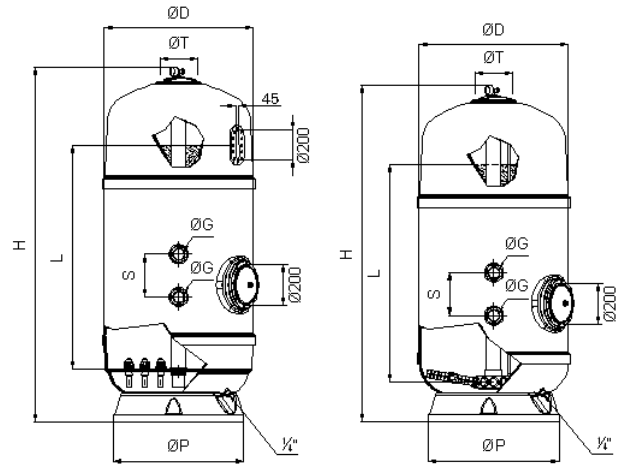


Nozzle plate detail



Delta 10 nozzle collector plate

Delta 10 nozzle collector arms



Delta 12 nozzle collector plate

Delta 12 nozzle collector arms



Complies with Standard EN 16713-01

	DELTA 10								DELTA 12									
	Collector arms				Nozzle collector plate				Collector arms				Nozzle collector plate					
	58682	36676	36677	36678	36679	36684	36685	36686	36687	36680	36681	36682	36683	36688	36689	36690	36691	
D (mm)	535	670	820	1.035	1.240	650	800	1.000	1.200	650	800	1.000	1.200	650	800	1.000	1.200	
Ø P (mm)	400	490	625	890	1145	490	625	890	1145	585	700	890	1145	585	700	890	1145	
H (mm)	1680	1702	1749	1840	1915	1770	1860	1870	1240	1920	1995	2010	2150	1920	1995	2010	2150	
L (mm)	-	1000	1000	1000	1000	1000	1000	1000	1000	1200	1200	1200	1200	1200	1200	1200	1200	
S (mm)	125	125	230	270	300	125	230	270	300	125	230	270	300	125	230	270	300	
Ø T	200	200	200	400	400	200	200	400	400	200	200	400	400	200	200	400	400	
Ø G	1/2"	1/2"	2"	2 1/2"	3"	1/2"	2"	2 1/2"	3"	1/2"	2"	2 1/2"	3"	1 1/2"	2"	2 1/2"	3"	
Flow rate m³/h at 30 m³/h/m²	5.88	9	15	23	34	9	15	23	34	9	15	23	34	9	15	23	34	
Flow rate m³/h at 40 m³/h/m²	7,84	12	20	30	45	12	20	30	45	12	20	30	45	12	20	30	45	
MULTILAYER	Anthracite 0.8 - 1.6 mm (l)	-	-	-	-	-	-	-	-	148	250	387	564	148	250	387	564	
	Sand 0.4 - 0.8 mm (Kg)	-	-	-	-	-	-	-	-	160	271	419	611	160	271	419	611	
	Gravel 1 - 2 mm (Kg)	-	-	-	-	-	-	-	-	46	78	120	175	46	78	120	175	
	Gravel 3 - 5 mm (Kg)	-	-	-	-	-	-	-	-	86	156	300	350	46	78	120	175	
SINGLE LAYER	Sand 0.4 - 0.8 mm (Kg)	245	400	640	990	1425	400	640	990	1425	451	767	1325	1763	451	767	1325	1763
	Gravel 1 - 2 mm (Kg)	60	86	156	300	350	46	78	120	175	86	156	300	350	46	78	120	175
	Grade 1 glass load (57011) (kg)	175	275	450	725	1000	250	400	600	875	325	500	850	1125	300	450	750	1050
	Grade 2 glass load (57012) (kg)	50	75	150	225	325	75	125	200	275	100	175	275	375	100	150	250	350
Grade 3 glass load (57013) (kg)	75	100	150	250	350	100	125	200	300	100	175	300	400	100	175	275	375	

Artic Plus filter



Complies with Standard EN 16713-01

**Filtration bed
1.2 m**



Nozzle plate detail



Collector arms detail

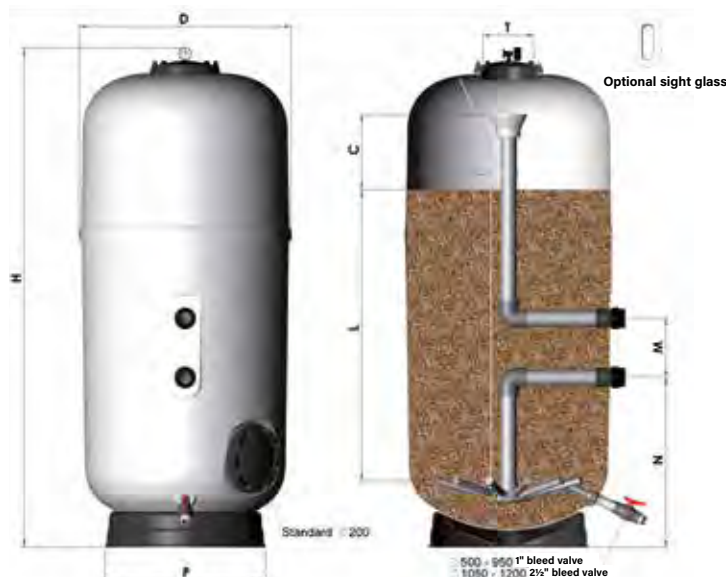
DESCRIPTION

Range of high-capacity retention filters with optimal backwash performance. Manufactured in polyester with an external gel-coat finish. Body of just two parts; ivory. Maximum working temperature of 50°C. Internal parts made from PVC plastic. Ø 400 lid to remove sand from bottom part of filter (optional) in Ø 1050 and Ø 1200 versions. Ø 650, 800, 950, 1050 and 1200 filters available with collector arms or nozzle plate. Compatible with sand and glass, among others (see page 188). Complies with filtration requirements as per standard EN 16713-1.

	Code	Standard Pack	Standard weight in kg	Standard volume in m ³
Collector arms system				
Ø 650 mm connection 1½"	36053-0100	1	80	1.45
Ø 800 mm connection 2"	36054-0100	1	95	1.85
Ø 950 mm connection 2½"	41373	1	136	2.54
Ø 1050 mm connection 3"	36055	1	145	2.73
Ø 1200 mm connection 4"	36056	1	220	4.10

TECHNICAL FEATURES

	36053	36054	41373	36055	36056
Ø D (mm)	680	825	970	1090	1255
H (mm)	1900	1950	1960	2145	2170
M (mm)	125	230	270	270	270
N (mm)	730	670	665	665	665
L (mm)			1200		
C (mm)			300		
P (mm)	490	625	705	775	940
T (mm)		200		400	
Connections	1½"	2"	2½"	3"	4"
Flow rate (m ³ /h)	16.5	25	35	43	56.5
Filtration area (m ²)	0.33	0.50	0.70	0.86	1.13
Sand load (kg)	470	660	1015	1240	1665
Gravel load (kg)	100	165	260	320	410
Grade 1 glass load (57011) (kg)	325	475	725	875	1175
Grade 2 glass load (57012) (kg)	100	150	225	275	375
Grade 3 glass load (57013) (kg)	125	150	250	300	400
Maximum pressure (kg/cm ²)			2.5		
Net weight (kg)	75	90	131	135	210
Water drain	1"	1"	1"	2½"	2½"
Injection-moulded plastic lid	Ø200	Ø200	Ø200	Ø400	Ø400



Artic filter

DESCRIPTION

Range of high-capacity retention filters with optimal backwash performance. Manufactured in polyester with an external gel-coat finish. Body of just two parts; ivory. Maximum working temperature of 50°C. Internal parts made from PVC plastic. Ø 400 lid to remove sand from bottom part of filter (optional) in Ø 1050 and Ø 1200 versions. Ø 650, 800, 950, 1050 and 1200 filters available with collector arms or nozzle plate. Compatible with sand and glass, among others (see page 188). Complies with filtration requirements as per standard EN 16713-1.



Complies with Standard EN 16713-01

Filtration bed
1 m



Nozzle plate detail



Collector arms detail

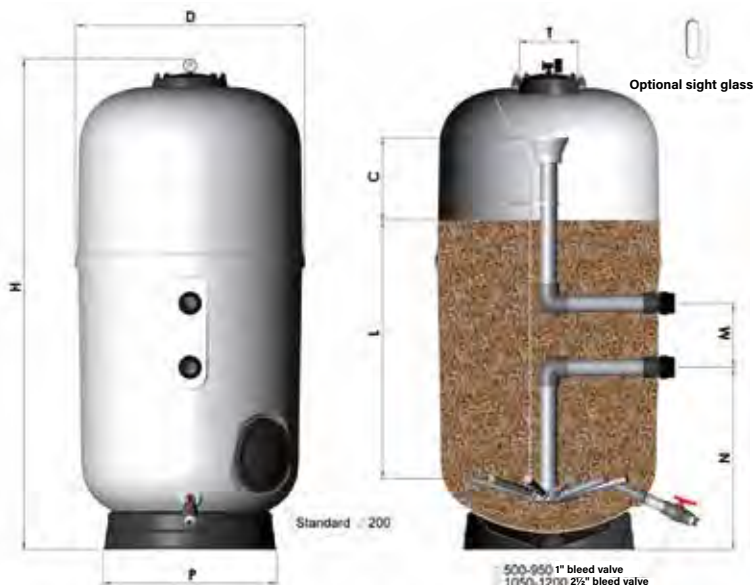
Code	Standard Pack	Standard weight in kg	Standard volume in m ³
------	---------------	-----------------------	-----------------------------------

Collector arms system

Ø 500 mm connection 1½"	34029-0100	1	65	1.30
Ø 650 mm connection 1½"	34030-0100	1	70	1.34
Ø 800 mm connection 2"	34031-0100	1	75	1.67
Ø 950 mm connection 2½"	41187	1	119	2.30
Ø 1050 mm connection 3"	41188	1	145	2.42
Ø 1200 mm connection 4"	41189	1	165	3.65

TECHNICAL FEATURES

	34029	34030	34031	41187	41188	41189
Ø D (mm)	535	680	825	970	1090	1255
H (mm)	1650	1700	1750	1760	1895	1970
M (mm)	125	125	230	270	270	270
N (mm)	780	775	685	655	630	665
L (mm)	1000					
C (mm)	300					
P (mm)	400	490	625	705	775	940
T (mm)	200			400		
Connections	1½"	1½"	2"	2½"	3"	4"
Flow rate (m ³ /h)	9.5	16.5	25	35	43	56.5
Filtration area (m ²)	0.19	0.33	0.50	0.70	0.86	1.13
Sand load (kg)	225	380	530	830	1015	1360
Gravel load (kg)	50	100	165	260	320	410
Grade 1 glass load (57011) (kg)	150	275	375	600	750	1000
Grade 2 glass load (57012) (kg)	50	75	125	200	250	325
Grade 3 glass load (57013) (kg)	50	100	150	225	275	350
Maximum pressure (kg/cm ²)	2.5	2.5	2.5	2.5	2.5	2.5
Net weight (kg)	60	65	70	109	135	155
Water drain	1"	1"	1"	1"	2½"	2½"
Injection-moulded plastic lid	Ø200	Ø200	Ø200	Ø200	Ø400	Ø400

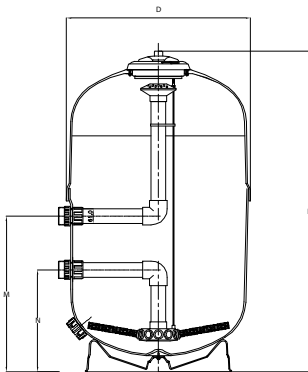


Aster filter - high quality of filtration



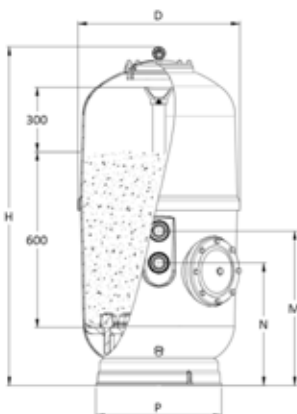
Complies with Standard EN 16713-01

Filtration bed 0.8 m



Complies with Standard EN 16713-01

Filtration bed 0.6 m



DESCRIPTION

Laminated filter made of fibreglass and polyester. Filter bed 800 mm in depth. Grey in colour, polypropylene base, fast open lid, water drainage plug, flowmeter and side multiport valve. Maximum pressure 2.5 bar. Top filtration speed of 50 m³/h/m². The filter can be used with a single layer or a multi-layer combination of gravel with sand, glass or anthracite. Quick-release lid. Has a 2½" sand discharge out let at the bottom of the filter. Optional sand discharge outlet of 200 mm. Optional vinylester interior finish for treatment with ozone. Maximum temperature 50°.

	Code	Standard Pack	Standard weight in kg	Standard volume in m ³
Ø 500 mm output 1½"	24768-0100	1	30	0.44
Ø 600 mm output 1½"	24769-0100	1	40	0.64
Ø 750 mm output 2"	24770-0100	1	60	1.0
Ø 900 mm output 2"	10003-0100	1	90	1.6
Ø 900 output 2½"	10004	1	90	1.6

TECHNICAL FEATURES

	24768-0100	24769-0100	24770-0100	10003-0100	10004
Ø D (mm)	500	600	750	900	
H (mm)	1365	1370	1435	1400	1435
M (mm)	605	605	665	825	865
N (mm)	480	480	435	595	595
Connections	1½"	1½"	2"	2"	2½"
Flow (m ³ /h) at 50 m ³ /h/m ²	9.5	16.5	21	31	
Pool volume (m ³)	75	120	175	250	
Sand load (kg)	200	300	450	580	
Gravel load (kg)	16	35	65	135	
Grade 1 glass load (57011) (kg)	125	200	300	400	
Grade 3 glass load (57013) (kg)	25	25	50	75	
Maximum pressure (kg/cm ²)	2.5				

Aster filter - high filtration with nozzle plate

DESCRIPTION

Filter laminated in polyester and fibreglass. Optional Ø 200mm sand discharge at bottom. Black screw-down lid ¼" water drain at bottom. Maximum pressure 2.5 bar. Maximum temperature 50°.

	Code	Standard Pack	Standard weight in kg	Standard volume in m ³
Ø 500 mm output 2"	24768FT01-110 000	1	30	0.46
Ø 600 mm output 2"	24769FT01-110 000	1	40	0.63
Ø 750 mm output 2"	24770FT01-110 000	1	60	0.99
Ø 900 mm output 2"	10003FT01-110 000	1	90	1.29
Ø 900 output 2½"	10004FT01-110 000	1	90	1.29

TECHNICAL FEATURES

	24768FT01 110 000	24769FT01 110 000	24770FT01 110 000	10003FT01 110 000	10004FT01 110 000
Ø D (mm)	500	600	750	900	
H (mm)	1365	1370	1435	1400	1435
M (mm)	605	605	665	825	865
N (mm)	480	480	435	595	
P (mm)	400	490	625	705	
Connections	1½"	1½"	2"	2"	2½"
Flow (m ³ /h) at 50 m ³ /h/m ²	9.5	16.5	21	31	
Pool volume (m ³)	75	120	175	250	
Sand load (kg)	200	300	450	580	
Gravel load (kg)	16	35	65	135	
Grade 1 glass load (57011) (kg)	125	200	300	400	
Grade 3 glass load (57013) (kg)	25	25	50	75	
Maximum pressure (kg/cm ²)	2.5				

- Filters made of fiberglass and polyester resin with Internal components and accessories in high quality engineering plastics.
- Thanks to its double coating, the resulting body is extremely resistant, durable and reliable.
- Compatible with sand and glass, among others (see page 188).
- They comply with filtration requirements as per standard EN 16713-1.

Berlin filter

ASTRALPOOL

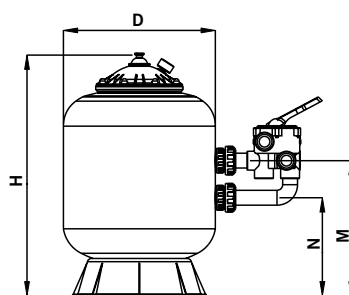
 Complies with Standard
EN 16713-01

DESCRIPTION

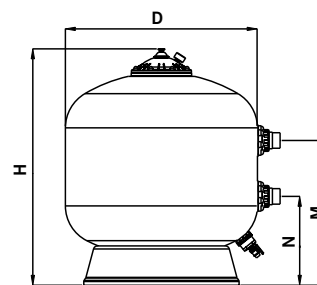
Ø 230mm screw-down lid, injection-moulded. Fitted with manual air and water bleed valves, a pressure gauge and a side mounted multiport valve. Maximum filtration speed (m³/h/m²) Complies with filtration requirements as per standard EN 16713-1. Sand and glass compatible (see page 188).

	Code	Standard Pack	Standard weight in kg	Standard volume in m ³
With multiport valve:				
9000 l/h Ø 500 mm outlet 1½"	00541	1	17.3	0.24
14000 l/h Ø 600 mm outlet 1½"	00542	1	21.8	0.37
21000 l/h Ø 750 mm outlet 2"	00543	1	35.1	0.65
Without multiport valve:				
30000 l/h Ø 900 mm outlet 2½"	00544	1	53.4	1.01
30000 l/h Ø 900 mm outlet 2"	15397	1	53.4	1.01
30000 l/h Ø 900 mm outlet 2" (4 bar)	28474	1	67.0	1.01
Without multiport valve and with Ø 400 mm polyester and FV lid:				
43000 l/h Ø 1050 mm outlet Ø 75 mm	00545	1	110.0	1.92
56000 l/h Ø 1200 mm outlet Ø 90 mm	00546	1	140.0	2.70

* Figures without valve



With multiport valve



Without multiport valve

TECHNICAL FEATURES

	With multiport valve			Without multiport valve				
	00541	00542	00543	00544	15397	28474	00545	00546
Ø D (mm)	500	600	750	900	900	900	1050	1200
H (mm)	805	910	1050	1145	1135	1135	1300	1450
M (mm)	450	505	610	685	635	635	810	870
N (mm)	325	380	380	415	405	405	500	560
Connections	1½"	1½"	2"	2½"	2"	2"	*D75	**D90
Flow (m ³ /h) at 50 m ³ /h/m ²	9	14	21	30	30	30	43	56
Pool volume (m ³)	50-75	75-115	115-170	170-240	-	-	240-350	350-450
Sand load (kg)	100	175	300	525	525	525	575	800
Gravel load (kg)	-	-	-	-	-	-	300	300
Grade 1 glass load (57011) (kg)	75	150	200	350	350	350	600	825
Grade 3 glass load (57013) (kg)	0	0	50	75	75	75	175	200
Maximum pressure (kg/cm ²)	2.5	2.5	2.5	2.5	2.5	4	2.5	2.5
Net weight (kg)	15.3	19.8	33.1	51.4	51.4	51.4	100	130
Package volume (m ³)	0.35	0.37	0.65	1.01	1.01	1.01	1.92	2.70

MONOBLOCKS

Galactic monoblock



DESCRIPTION

Filter made made from high resistant blow-molded thermoplastic.

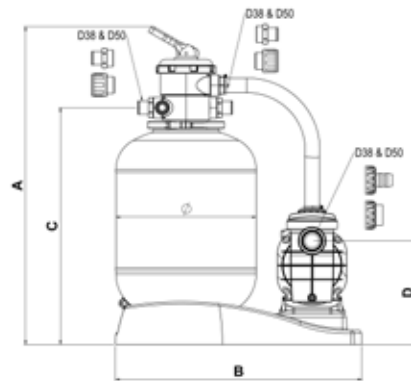
Includes 6-ways multiport valve, pressure gauge, manual air purge, water purge, compact self-priming pump with electrical cord and plug, hose, fittings, base and accessories to completely assembly the whole set.

Maximum working pressure 2,4 bars.

Fittings included, D38 and D50mm, for a maximum versatility to install.

Complies with filtration requirements as per standard EN 16713-1.

	Code	Standard Pack	Standard weight in kg	Standard volume in m ³
Ø380 - 5 m ³ /h	74471	1	20	0.33
Ø400 - 6 m ³ /h	74472	1	20.5	0.33
Ø500 - 8 m ³ /h	74473	1	24	0.37
Ø500 - 10 m ³ /h	74474	1	25.5	0.37
Ø600 - 12 m ³ /h	74475	1	29	0.42
Ø600 - 14 m ³ /h	74476	1	30	0.42



TECHNICAL FEATURES

	74471	74472	74473	74474	74475	74476
Ø (mm)	380	400	500	500	600	600
A (mm)	860	905	975	975	1.030	1.030
B (mm)	710	710	830	830	830	830
C (mm)	635	650	740	740	816	816
D (mm)	295	295	295	295	295	295

TECHNICAL FEATURES

CODE	FLOW m ³ /h	Ø FILTER mm	PUMP POWER HP	Ø FITTINGS mm	SAND kg*	BOX	
						WEIGHT Kg	DIMENSIONS mm
74471	5	380	1/3	38 / 50	40	20	790x600x700
74472	6	400	1/3	38 / 50	40	20.5	
74473	8	500	1/2	38 / 50	100	24	870x600x715
74474	10	500	3/4	38 / 50	100	25.5	
74475	12	600	3/4	38 / 50	150	29	870x600x800
74476	14	600	1	38 / 50	150	30	

* Sand not supplied.

SkyPool filter monoblock

with top outlet



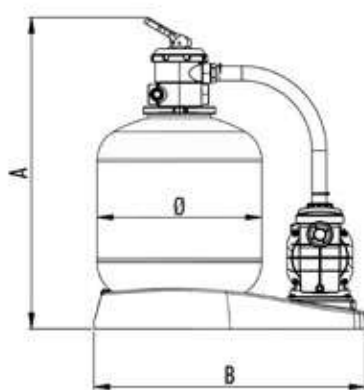
DESCRIPTION

Made from plastic with a clamp lid, multi-way valve, pressure gauge, manual air outlet and water purge. White. Injection-moulded black base. Maximum working pressure: 2 kg/cm². Complies with filtration requirements as per standard EN 16713-1.



Complies with Standard
EN 16713-01

	Code	Standard Pack	Standard weight in kg	Standard volume in m ³
Ø 300 mm - P-XPERT-4	M00504	1	12	0.11
Ø 400 mm - P-XPERT-6	M00505	1	14	0.22
Ø 400 mm - P-XPERT-8	M00506	1	15	0.22
Ø 500 mm - P-XPERT-10	M00507	1	20	0.28
Ø 500 mm - P-XPERT-14	M00661	1	22	0.28



TECHNICAL FEATURES

Top monobloc	SkyPool / P-XPERT				
	M00504	M00505	M00506	M00507	M00661
A (mm)	640	760	760	840	840
B (mm)	520	830	830	830	830
Ø (mm)	300	400	400	500	500
Pump (HP)	P-XPERT4	P-XPERT6	P-XPERT8	P-XPERT10	P-XPERT14
Connections	Ø 38	Ø 38	Ø 38	1½"	1½"
Flow (m ³ /h)	4	6	7	9	11
Power (W)	150	340	490	600	660
Filtration speed (m ³ /m ² /h)	60	50	60	50	60
Sand 0.4-0.8 mm (Kg)	± 25	± 40	± 40	± 100	± 100
Weight (Kg)	12	14	15	20	22
Volume (m ³)	0.102	0.226	0.226	0.278	0.278

Ramses in-ground compact housing



DESCRIPTION

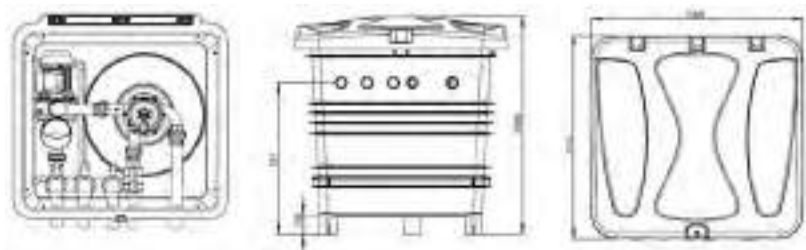
Embedded housing comprising an injection-moulded reinforced polymer body and lid. Complete and ready-assembled.

Connections: Ø50 PVC tube All pool types of up to 80m³

Components that include:

- 1 hp pump.
- Filter (according to model).
- 6-way top valve.
- Interior PVC connections and valves.

	Code	Standard Pack	Standard weight in kg	Standard volume in m ³
Ramses with Aster 550 filter	41910	1	76	1.18
Ramses with Millennium 560 filter	69829	1	68	1.18



Keops in-ground compact with salt chlorinator

DESCRIPTION

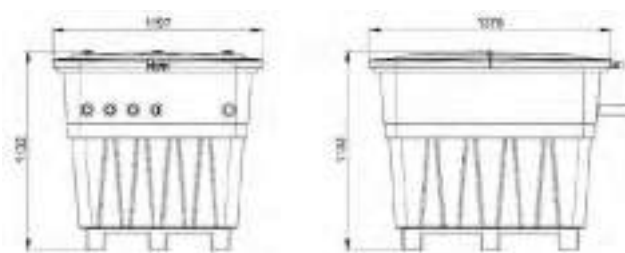
Embedded housing comprising an injection-moulded reinforced polymer body and lid. Complete and ready-assembled.

Connections: Ø50 PVC tube All pool types of up to 100m³

Components that include:

- Advantages of Victoria Plus Silent 1HP
- Filter (according to model).
- 6-way side valve.
- Compact 100 salt chlorinator.
- Interior PVC connections and valves.

	Code	Standard Pack	Standard weight in kg	Standard volume in m ³
Keops with salt chlorinator and Cantabric 600 filter	69832	1	95	2.03
Keops with salt chlorinator and Aster 600 filter	69831	1	95	2.03



Ramses Up - Above ground compacts



DESCRIPTION

Designed for outdoor installation. Lid with reinforced edge. Size: 149 x 82 x 120.

	Code	Standard Pack	Standard weight in kg	Standard volume in m ³
Without inner assembly	74970	1	25	0.400
With Aster 550 Sena 1 HP	61423AS55001	1	75	1.5

See our wide range of housing according to your filtration needs

In-ground -compact housings



DESCRIPTION

Stackable to facilitate shipping and storage; streamlined interior to obtain top performance in the smallest possible space. Light cover with reinforced hinges. Prefabricated in polyester and fibreglass with a gelcoat finish. Outside of the cover in green and inside of the housing in ivory.

	Code	Standard Pack	Standard weight in kg	Standard volume in m ³
Supplied with openings for connections:				
For filters Ø 350 mm	00615/1	1	175	2.02
For filters Ø 400-450-500-600 mm	00616/1	1	156.5	2.54
For filters Ø 650-750-800 mm	00618	1	126.0	3.87

Semi in-ground compact housings



DESCRIPTION

Prefabricated in polyester and fibreglass. Ivory. Fully opening cover.

	Code	Standard Pack	Standard weight in kg	Standard volume in m ³
For filters Ø 450-500-600 mm	00619/1	1	80.0	2.7
For filters Ø 600-450-650-750 mm	00620/1	1	145.0	3.2

- A wide range of valves which offers the New Generation series, the Classic series and Flat series with 1½" and 2" valve configurations.
- The Magnum series with 2½" and 3" valves completes the range.

Six positions multiport valve
















DESCRIPTION

A six positions multiport valve able to perform several functions in a hydraulic circuit: filtration, empty, closed, backwashing and rinsing of the filter. Its extremely functional design means that it can be fitted up to any installation. All joints will be perfectly sealed and it is easy to operate.

Its minimum friction and resistance, maximum safety were decisive factors to choose the best materials of its components: ABS body, lid and handle, PPO distributor, EPDM gaskets, metal parts in stainless steel.

CONNECTION OPTIONS IN MULTIPORT VALVE

Connection options	Connection	Outlets	New Generation		Classic		Classic Plus	Flat	Magnum		
											
			1 ½" Eco	1 ½"	2"	1 ½"	2"	1 ½"	1 ½"	2 ½"	3"
Configuration 1  "Top" inlet and "Bottom" outlet at the base. Commonly used for filters with a Top output valve.	Without connection	Threaded BSP		28509	11542	08938					
		Smooth			00597						
Configuration 2  "Top" inlet at the base and "Bottom" outlet on one side.	With connection	Threaded BSP									
	Without connection	Smooth			15385	15389					
Configuration 3  Filter inlet "Top" from the MPV side and filter outlet "Bottom" to the MPV base. This configuration can be supplied with pipework and connections for side mounting.	With connection	Threaded BSP									
		Smooth	20569	28512	00599	07444	73950	34543	24837		
		Threaded NPT	22355	30788	06673-0700	09848			24840		
	Without connection	Threaded BSP	23108	28511	14909	07441		34544	24838		
		Smooth	20043		00598			34545			
Threaded NPT	22356	30795	06595	07440			24839	30798			
Configuration 4  Both the filter inlet "Top" and the filter outlet "Bottom" from and to the MPV sides.	Without connection	Threaded BSP		28513	11368	08940					
		Smooth									
Configuration 5  All inlets and outlets open.	Without connection	Threaded BSP		28514		Ask for code				28515	
		Smooth									
Top	Without connection	Threaded BSP									
		Smooth	32583	20565	33968	65216	22490		34546		
		Threaded NPT		22358			22492				

New Generation

- Manual multiport valves which incorporate a bayonet closing system (replacing bolts).
- This eases dismantling for maintenance and prevents rust.
- The range includes the 1½" and 2" versions, including a "Top Eco" version available in 1½".

New generation

Selector valve with coupling to filter



	Code	Standard Pack	Standard weight in kg	Standard volume in m ³
Configuration 3 - 1½"	20569	6	14.0	0.079
Configuration 3 - 2"	28512	6	26.4	0.165
Configuration 3 - 1½" NPT	22355	6	14.0	0.079
Configuration 3 - 2" NPT	30788	6	26.4	0.165
Configuration 3 - 2" (special distance between con. 270mm - for filter 08133)	59968	6	24.6	0.165

New generation

1½" and 2" multiport valve



	Code	Standard Pack	Standard weight in kg	Standard volume in m ³
Multiport valve 1½" - Configuration 3	20043	6	11.5	0.079
Multiport valve 2":				
Configuration 1	28509	6	22.3	0.165
Configuration 2	28510	6	22.3	0.165
Configuration 3	28511	6	22.3	0.165
Configuration 4	28513	6	22.3	0.165
Configuration 5	28514	6	22.3	0.165
Multiport valve 1½" NPT - Configuration 3	22356	6	11.5	0.079
Multiport valve 2" NPT - Configuration 3	30795	6	22.3	0.165

New generation

1½" and 2" multiport valve. Top Config.



	Code	Standard Pack	Standard weight in kg	Standard volume in m ³
Top 1½" Multiport valve	20565	6	12.10	0.079
Top 2" Multiport valve	33968	1	3.95	0.028
Top 1½" NPT Multiport valve	22358	6	12.10	0.079
Top 1½" Multiport valve (for Aster filter)	31993	6	11.8	0.124
Top 2" Multiport valve (for Aster filter)	33969	1	3.85	0.028

New generation

1½" multiport valve. Top ECO version


DESCRIPTION

6-way multiport valve for above ground pool filters where the pressure does not exceed 1.5 bar, of maximum diameter 380 mm. Bayonet closing system.

	Code	Standard Pack	Standard weight in kg	Standard volume in m ³
1½" multiport valve. Top ECO version	32583	6	8.83	0.082

Classic Plus

- Manual multiport valves with six channels to carry out different functions in an hydraulic circuit.
- Connection to filter through a sweep elbow instead of a 90° elbow and new design to offer a reduced pressure loss.
- Diverter gasket placed in the diverter instead of the body to improve performance and maintenance.

Classic Plus

1½" and 2" multiport valve with filter connections



	Code	Standard Pack	Standard weight in kg	Standard volume in m³
1½" multiport valve - Configuration 3	73950	6	14.7	0.079

NEW CLASSIC PLUS SERIES:

This valve is completely compatible with the valve 00599, with improved characteristics (read the valve description).

Classic

- Manual multipoint valves with six channels to carry out different functions in an hydraulic circuit.
- Its design, basically functional, offers a wide range of possibilities of connection to any installation, assuring perfect water-tightness and comfortable handling.

Classic

1½" and 2" multipoint valve with filter connections



	Code	Standard Pack	Standard weight in kg	Standard volume in m ³
1½" multipoint valve - Configuration 3	00599	6	15.5	0.079
2" multipoint valve - Configuration 3	07444	6	22.7	0.150
1½" NPT multipoint valve - Configuration 3	06673-0700	6	15.5	0.079
2" NPT multipoint valve- Configuration 3	09848	6	22.7	0.150
2" multipoint valve - Configuration 3 (special distance between con. 270mm - for filter 08133)	21263	6	22.2	0.165

Classic

1½" and 2" multipoint valve



	Code	Standard Pack	Standard weight in kg	Standard volume in m ³
1½" multipoint valve - Configuration 1	00597	6	12.2	0.079
1½" multipoint valve - Configuration 3	00598	6	12.1	0.079
2" multipoint valve - Configuration 3	07441	6	19.9	0.150
1½" NPT multipoint valve - Configuration 3	06595	6	12.1	0.079
2" NPT multipoint valve - Configuration 3	07440	6	19.9	0.150

Classic

2" TOP multipoint valve



65216



22490

DESCRIPTION

6-way TOP multipoint valve for residential pools. Body, cover and handle injected in ABS.

	Code	Standard Pack	Standard weight in kg	Standard volume in m ³
Top 1½" Multipoint valve	65216	6	14.6	0.123
Top 2" Multipoint valve	22490	1	3.45	0.028
2" TOP multipoint valve NPT	22492	1	3.45	0.028

Flat

- Multiport valve which features a special compact look thanks to its single-level design (compared to the normal twin-level set-up in other multiport valves).
- This reduced size makes the equipment especially suitable in installations where space is at a premium, such as in filter housing or monoblocks.



Flat

1 1/2" lateral multiport valve with filter connections



	Code	Standard Pack	Standard weight in kg	Standard volume in m ³
Configuration 3	34543	6	9.3	0.08



Flat

1 1/2" lateral multiport valve - Flat



	Code	Standard Pack	Standard weight in kg	Standard volume in m ³
Configuration 3 (bottom port threaded)	34544	6	9.3	0.08
Configuration 3 (bottom port solvent socket)	34545	6	9.3	0.08



Flat

1 1/2" TOP multiport valve - Flat



	Code	Standard Pack	Standard weight in kg	Standard volume in m ³
	34546	6	9.3	0.08

Magnum

- Specially designed to support high working pressures and connection to large filters which require special connections.
- Choose from the models offered: 2 1/2", 3" and 4" multiport valves.



Magnum

2 1/2" multiport valve with filter connections



DESCRIPTION

Multiport valve with filter connections.

	Code	Standard Pack	Standard weight in kg	Standard volume in m ³
2 1/2" multiport valve - Configuration 3	24837	1	9.5	0.060
2 1/2" NPT multiport valve - Config. 3	24840	1	9.5	0.060



Magnum

2 1/2" multiport valve



DESCRIPTION

Filter inlet from the side and outlet from the bottom. With threaded outlets.

	Code	Standard Pack	Standard weight in kg	Standard volume in m ³
2 1/2" multiport valve - Configuration 3	24838	1	8.2	0.061
2 1/2" NPT multiport valve - Config. 3	24839	1	8.2	0.061



Magnum

3" multiport valve



DESCRIPTION

Side mounted multiport valve for connecting to filters. Body and cover injected in ABS with fiberglass. Handle injected in ABS. Sealing system by stainless steel screws. Supplied with two plugs so that the customer can adapt the valve to the most suitable configuration.

	Code	Standard Pack	Standard weight in kg	Standard volume in m ³
3" multiport valve	28515	1	9.8	0.064
3" NPT multiport valve	30798	1	9.8	0.064

MULTIPOINT VALVES

VRAC Flat

1½" automatic multipoint system valve



DESCRIPTION

Basic automatic multipoint valve model that stands out for its easy operation.
Voltage 230/115 volts. Controls filtration, backwashing, rinsing and emptying.

	Code	Standard Pack	Standard weight in kg	Standard volume in m³
TOP 1½" multipoint valve with actuator	43512	1	4.1	0.02
SIDE 1½" multipoint valve with actuator	43513	1	3.9	0.02

VRAC III

automatic multipoint valve



DESCRIPTION

Improved automatic multipoint valve operated via button keypad. It makes possible to control filtration, backwashing, rinsing, emptying, recirculation and closed positions.

NEW in 2021!

Better features to the automatic multipoint valve replacing the pressure switch for an analog pressure sensor.

- Easy program of the pressure set point for backwashing - Pressing a button.
- Avoid corrosion - No metallic elements.
- Friendly set up Fluidra Connect Box - System VRAC Basic III
- Adaptable: For using in all devices with a media filter, and it is quick and easy to install.
- Comfort: With a simple programming using the keypad, you will receive a fully automated filtration for your pool.
- Hygiene: You will obtain an optimal water quality for swimming, optimizing the wash cycles (daily, weekly or by pressure monitoring).
- Safety: The automatic valve continuously monitors the filtration system and the valve, thus preventing potential breakdowns. New power surge protection. Spring coated to prevent rusting.

LED lights for quick look of basic information.

	Code	Standard Pack	Standard weight in kg	Standard volume in m³
Basic 1½" side mounted, Config. 3	72433	1	4.27	0.023
Basic 2" side mounted, Config. 3	72434	1	5.75	0.033



A multipoint safety valve (code 41898 or 41899) is recommended.

**Substituted codes:
72433 in substitution of 70768 and 57186.
72434 in substitution of 70769 and 57187**

Hydraulic safety valve



DESCRIPTION

The 1½" hydraulic safety valve in the drain is specially designed for installation in the drain outlet of an automatic multipoint valve on a pool sand filter.

Using it prevents water loss when the valve changes its working position or when the electricity flow fails and the valve remains in a position in which it could empty the pool.

It is recommended in installations with SYSTEM VRAC multipoint valves.

	Code	Standard Pack	Standard weight in kg	Standard volume in m³
With 50 mm straight double connection	41898	2	1.8	0.02
With 1½" BSP double pipe connection	41899	2	1.8	0.02

Gauge panel unit



DESCRIPTION

Including air vents.

	Code	Standard Pack	Standard weight in kg	Standard volume in m ³
With pressure gauges 3 kg/cm ²	00729	1	1	0.007
With pressure gauges 6 kg/cm ²	00730	1	1	0.007

OC-1 filtration media



DESCRIPTION

OC-1 filtration load: The future of pool filtration

OC refers to Open Cell and OC-1 is a mechanical filter that uses open-cell filtration technology to filter water with a high quality, increasing the water saving and energy potential. The filtration media is an extruded plastic compound comprising a base of High Density Polyethylene with Calcium Carbonate.

- Saves water: exclusive filtration method that reduces water consumption by more than 40%.
- Saves power: lets you use a smaller pump or lower the power to get the same flow you would with traditional filtration media.
- Saves time: OC-1 reduces backwash frequency to less than a third of traditional methods, meaning more leisure time for you.
- The OC-1 media has been tested in accordance with current European standard EN16713-1.

	Code	Standard Pack	Standard weight in kg	Standard volume in m ³
OC-1 50L filtration media bag	69752	1	9.0	0.05
OC-1 20L filtration media bag	69753	1	3.6	0.02

Active Clear Glass



DESCRIPTION

AstralPool sells Active Clear Glass filtration material.

Active Clear Glass has the following benefits:

- More efficient and ecological filtration with water and energy savings.
- Higher filtration capacity with a cleaner bed that traps bacteria.

	Code	Standard Pack	Standard weight in kg	Standard volume in m ³
Granulometry				
0.5 mm - 1.0 mm	57011	1	25.0	0.667
1.0 mm - 3.0 mm	57012	1	25.0	0.667
3.0 mm - 7.0 mm	57013	1	25.0	0.667

TECHNICAL FEATURES

	Code	Range	% Volume of the filter bed	
			Filters D < 900 mm	Filters D > 900 mm
Range 1	57011	0.5 - 1.0 mm	0.8	0.6
Range 2	57012	1.0 - 3.0 mm	0	0.2
Range 3	57013	3,0 - 7,0 mm	0.2	0.2

Silex



DESCRIPTION

Other silex grades available to order.

25 Kg bag.

	Code	Standard Pack	Standard weight in kg	Standard volume in m ³
Granulometry 0.4 - 0.8 mm	00596	1	25	0.667

Gravel



DESCRIPTION

Please ask for a quotation for other grades.

25 Kg bag.

	Code	Standard Pack	Standard weight in kg	Standard volume in m ³
Granulometry 1 - 2 mm	10697	1	25	0.667
Granulometry 3 - 5 mm	11346	1	25	0.667

Anthracite



DESCRIPTION

Please ask for a quotation for other grades.

25 Kg bag.

	Code	Standard Pack	Standard weight in kg	Standard volume in m ³
Granulometry 0.8 - 1.6 mm	03696	1	25	0.8

Zeolite



DESCRIPTION

Natural porous material that has higher filtration qualities than the normal substrate. It can be compared to that of diatoms, at a much more competitive price and longer duration.

	Code	Standard Pack	Standard weight in kg	Standard volume in m ³
Zeolite standard 0.5 - 1 mm	25845	1	25	-
Zeolite standard 1-2 mm	25846	1	30	0.023
Zeolite standard 2-5 mm	25847	1	30	0.023

Diatomaceous earth



	Code	Standard Pack	Standard weight in kg	Standard volume in m ³
Celatom FW-60. 20 Kgs bag	03247	1	20	0.60
Celite 545. 23 Kgs bag	03246	1	23	0.60

FILTERS

A COMPLETE FILTRATION RANGE

> A FILTER FOR EVERY POOL

Central component of the filtration system, **the filter contains a filtration medium (that may be sand, glass, cartridge or another material, depending on the filter type)**. So, debris and impurities are trapped in the filter tank.

An efficient filtration system is **essential for the effectiveness of water treatment**.

Zodiac® offers 2 filter ranges to best meet varying user needs:

> CS CARTRIDGE FILTERS

- + very compact filters that can be installed in confined technical rooms
- + ultra-fine filtration up to 15-20 µm for translucent water
- + saves water during maintenance (no backwash)
- + no need to connect to the drain

3 YEAR
WARRANTY
ALL PARTS

5 YEAR
WARRANTY
ON TANKS



> MS MEDIA FILTERS

- + long-lasting glass-fibre reinforced polyester filters
- + designed to work with sand and filtration glass (Crystal Clear)
- + easy maintenance

3 YEAR
WARRANTY
ALL PARTS

10 YEAR
WARRANTY
ON TANKS



COMPARATIVE TABLE OF THE RANGE

	CS Eco-friendly cartridge filters for fine filtration	MS Simple and long-lasting sand filters
Warranty	5 years (tank) / 3 years	10 years (tank) / 3 years
Easy installation	Yes (VersaPlumb® kit)	-
Filtration medium	CS cartridge	Glass or sand
Filtration level	15 - 20 microns	20 - 50 microns
Number of models	2	5
Footprint	37 cm	47-95 cm
Max. pool volume	170 m ³	200 m ³
Pressure gauge	Yes	Yes
Multiway valve	N / A	Yes
Drain	Yes (+ connection kit)	Yes, double (media + water)



CARTRIDGE FILTER

CS



3 YEAR
WARRANTY

5 YEAR
WARRANTY
ON TANK



- + Ultra fine filtering
- + easy maintenance and water savings
- + Adapted to any pool pad

ACCESSORIES INCLUDED IN THE PACK

15-20 µm filtering cartridge	63/50mm union tailpieces	63/50mm union tailpieces	Pressure gauge	Air relief

OPTIONAL ACCESSORIES	ASSOCIATED PRODUCTS	
VersaPlumb® Kit	Cartridge CS 100	Cartridge CS 150
WF000026	R0462201	R0462301

PRODUCT REFERENCES

Model	CS 100	CS 150
Standard Model	WF000024	WF000025

DESCRIPTION

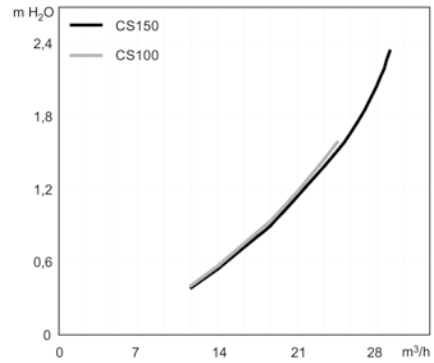
Model	CS 100	CS 150
Tank material	Fiber glass reinforced polypropylene	
Pressure gauge position	Onto the top cover	
Connections	63/50mm union tailpieces	
Drain	63mm, 63/50mm plumbing kit provided	

TECHNICAL SPECIFICATIONS

Model	CS 100	CS 150
Filtration capacity m ³ (6 h/day)	130	170
Max flow rate (m ³ /h)	22.7	28.4
Filtering area (m ²)	9.3	14
Cartridge layers number	143	215
Filtration speed (m ³ /h/m ²)	2.4	2.1
Filtration speed at 1 m/s	0.64 m ³ /h/m ²	
Working pressure (bar or kg/cm ²)	0.2 - 0.8 (variable speed pump); 0.4 - 1.2 (single speed pump)	
Maximum pressure (bar or kg/cm ²)	3.5	

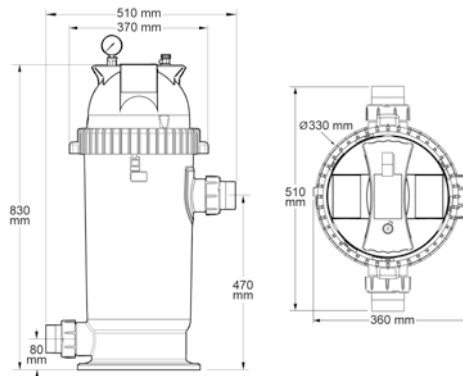
PERFORMANCE

- CS filter head losses expressed in meters of water: 1 m H₂O = 0.1 bar



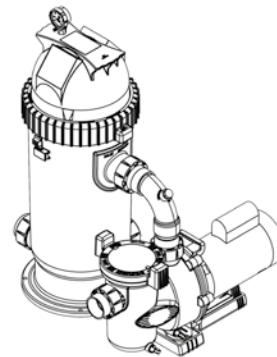
DIMENSIONS AND WEIGHT

Model	CS 100	CS 150
Weight (filter + cartridge)	14 kg	13 kg
Footprint (filter foot diameter)	33 cm	
Overall height (with pressure gauge)	92 cm	
Needed clearance (to replace cartridge)	44 cm above the filter	



INSTALLATION

- Optional Versa Plumb® kit allows a quick, compact and efficient connection between CS filter and any Zodiac FloPro™ pump.
- The Versa Plumb® sweep elbow is equipped with a 1/2" thread to install an earthing anode for example (see earthing anode kit in Water Treatment pages - part R0673800).



SAND FILTER

MS



3 YEAR
WARRANTY

10 YEAR
WARRANTY
ON TANK



ALL TYPES OF SWIMMING POOLS



EASY INSTALLATION



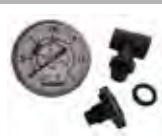
MagnaPool
ECOSYSTEM

- + Easy to install
- + Efficient filtration
- + Easy maintenance

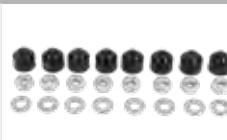
ACCESSORIES INCLUDED IN THE PACK



"Classic" multiport valve kit



Pressure gauge & air relief kit



Bolts kit



Media filling cap

ASSOCIATED PRODUCTS

Crystal Clear 0,7/1,3 mm - Glass media WF000063	Crystal Clear 1,0/3,0 mm - Glass media WF000064
-------------------------------------------------------	-------------------------------------------------------

PRODUCT REFERENCES

Model	MS 470	MS 530	MS 650	MS 800	MS 950
Standard Model	WF000094	WF000095	WF000096	WF000097	WF000098

DESCRIPTION

Model	MS 470	MS 530	MS 650	MS 800	MS 950
Tank material	Fiberglass reinforced polyester				
Multiport valve	6-way side mount valve (filtration, backwash, rinse, drain, circulation, closed)				
Pressure gauge position	Onto the top cover using a T-shape adaptor threaded into the lid				
Connections	All connections are threaded for an easy maintenance (multiport valve & piping)				
Drain	3/8" (water) / 2 1/2" (filter media, except for MS 470)				

TECHNICAL SPECIFICATIONS

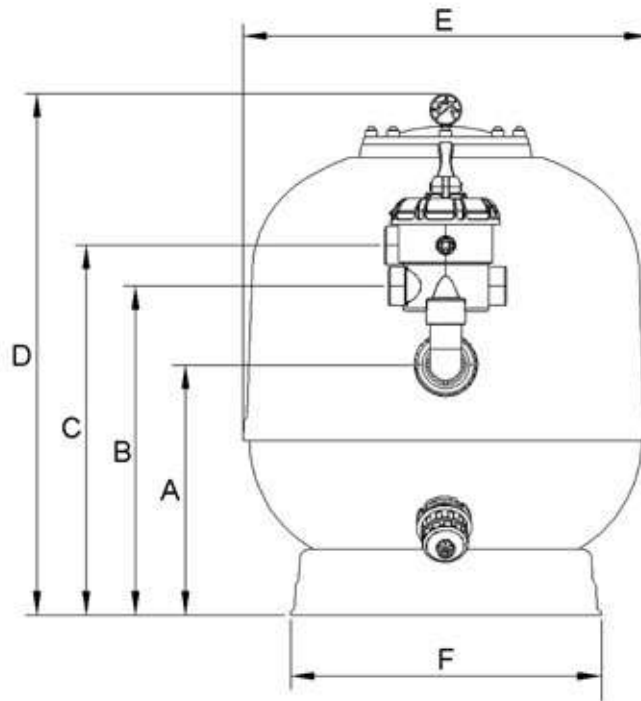
Model	MS 470	MS 530	MS 650	MS 800	MS 950
Tank diameter (mm)	475	532	645	798	950
Max flow rate (m ³ /h)*	8	10	16	23.5	33
Filtering area (m ²)	0.16	0.2	0.32	0.47	0.66
Filtration capacity m ³ (6h/day)	48	60	96	140	200
Diameter of threaded connections	1 1/2"			2"	
Working pressure (bar or kg/cm ²)	0.2 - 0.8 (variable speed pump); 0.4 - 1.4 (single speed pump)				
Maximum pressure (bar or kg/cm ²)	2.5				
Total weight of Crystal Clear	75	90	135	270	420
Nbr of bags - Crystal Clear 1.0/3.0 mm		1		2	3
Nbr of bags - Crystal Clear 0.7/1.3 mm	4	5	8	16	25
Total weight of sand	85	100	160	305	460

* : For a 50 m³/h/m² filtration speed

DIMENSIONS AND WEIGHT

Model		MS 470	MS 530	MS 650	MS 800	MS 950
Clearance below valve*		310	320	375	390	420
A (mm)		340	350	405	430	460
B (mm)		465	475	530	660	690
C (mm)		529	539	594	736	766
D (mm)		705	745	815	984	1027
E external (mm)		475	532	645	798	950
E internal (mm)		450	510	635	770	920
F (mm)		347	400	490	625	705
Valve connections	Height spacing	64	64	64	76	76
	Width spacing	74	74	74	79	79
	Threaded ports	1½"	1½"	1½"	2"	2"
Complete filter net weight (kg)		15 kg	18 kg	21 kg	36 kg	58 kg

* : Clearance below multiport valve elbow pipe to show clearance for pump installation



FILTERING MEDIA

Crystal Clear



- + Optimum filtration efficiency
- + Long lasting : lasts 3 times longer than sand
- + Eco-friendly : up to 75% water savings



ASSOCIATED PRODUCTS

MS filter	Hydroxinator® iQ	Hydroxinator®
WF000094/95/96/97/98	WW000172/173/174/175	(old model)

PRODUCT REFERENCES

Model	Crystal Clear 0,7/1,3 mm	Crystal Clear 1,0/3,0 mm
Standard Model	WF000063	WF000064

DESCRIPTION

Model	Crystal Clear 0,7/1,3 mm	Crystal Clear 1,0/3,0 mm
Contents	Filtering medium made of 100% pure glass crystals	
Form	Translucent	
Dosage	Total weight in the filter : 10% less than the equivalent in sand 1,0/3,0mm : sufficient to cover the filter laterals 0,7/1,3 mm : in addition, to make up the total weight	
Filtration efficiency	77,9% turbidity reduction*	
Bag dimensions (l x h)	45 x 65 cm	
Bag net weight	15 kg (= shipping unit, skus can be mixed on a pallet)	

* Turbidity reduction test carried in a lab with Crystal Clear fine, under EN 16713-1 standard (test §72.4). Regulatory requirement is 50% min.



COMMERCIAL POOLS

FILTRATION



826 COMMERCIAL POOL FILTRATION CODING

827 LAMINATED FILTERS

- 827 Vesubio filters - Commercial pool series
- 828 Europe filters
- 830 DIN filters

832 BOBBIN WOUND FILTERS

- 832 Vic filters
- 834 Praga filters
- 836 2.5 bar OC-1 Praga filters
- 837 Vertical high performance bobbin wound filters
- 838 Oslo filters
- 841 Olot filters
- 843 Construction features of the filter according to DIN 18820
- 843 Rodas filters
Ø 1050 mm and Ø 1200 mm
- 847 Rodas filters
Ø 1400 mm and Ø 1600 mm
- 851 Rodas filters
Ø 2000 mm and Ø 2350 mm
- 855 Rodas filters Ø 2500 mm

857 VALVE MANIFOLDS

- 857 Valve manifold coding
- 858 Valve manifold for one filter
- 859 Valve manifold Control Panel

860 VALVE MANIFOLD ACCESSORIES

- 860 Valve manifold brackets
- 860 Wall brackets for valve manifold
- 861 Air vents

861 FILTRATION MEDIA & ACCESSORIES

- 861 OC-1 filtration media
- 862 Active Clear Glass
- 862 Silex
- 862 Gravel
- 863 Anthracite
- 863 Zeolite
- 863 Gauge panel unit

Coding

The filter code is composed of eight digits. The first five digits correspond to the filter code and the last three digits correspond to the model – this information is given in the tables below.

This codification system is used for the Praga, Oslo, Olot, Ampuria, Rodas, Vic, Europe, Vesubio and Delta filters.

Position	1	2	3	4	5	-	6	7	8
----------	---	---	---	---	---	---	---	---	---

Position 1 to 5: Five digit code of the standard product.

Position 6 Specifies the nozzle plate and vinylester options	
0	Filter without nozzle plate
1	Filter with nozzle plate
2	Vinylester finish
3	With plate and vinylester
4	1" double effect priming valve kit
5	1" double effect priming valve kit + plate
6	1" double effect priming valve kit + plate and vinylester
7	2" double effect priming valve kit
8	2" double effect priming valve kit + plate
9	2" double effect priming valve kit + plate and vinylester

Position 7 Specifies side opening options	
0	Without nozzle plates
1	1 Ø 225 mm manhole
2	1 Ø 400 mm manhole
3	2 Ø 225 mm manholes
4	2 Ø 400 mm manholes
5	1 Ø 500 mm manhole
6	1 Ø 600 mm manhole

Position 8 Specifies sightglass options	
0	Without sightglasses
1	1 sightglass for laminated filter
2	1 Ø 135 mm sightglass
3	2 Ø 135 mm sightglasses
4	2 Ø 225 mm manholes

Notes: Rodas filters with nozzle plates are not available.

Ø 500 mm side opening for filters as of Ø 1050 mm.

Ø 600 mm side opening for filters as of Ø 1800 mm.

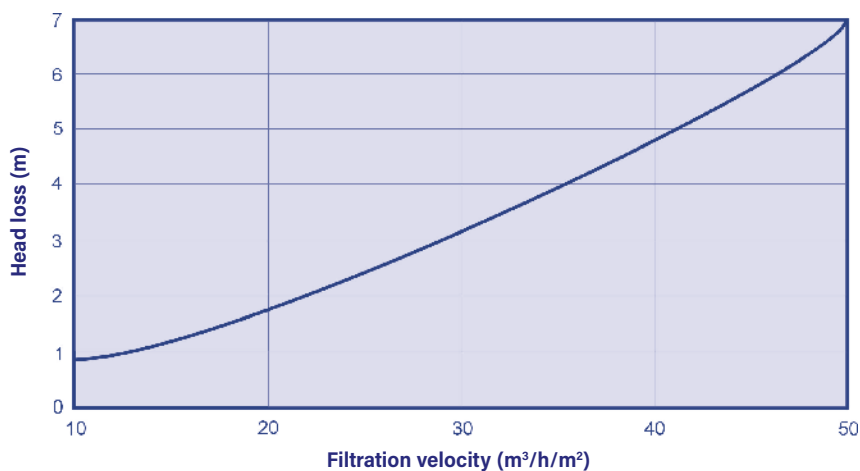
Maximum vinylester option of 0.5 ppm.

Please enquire pricing for various options:

- Vinylester finish
- Ø 225 mm and Ø 400 mm manhole
- Sightglass
- Plate

Head loss curve

Filters from Ø 1050 mm to Ø 3000 mm



Vesubio filters - Commercial pool series



Filtration bed
1 m

Maximum pressure:
2.5 kg/cm².

Optional:
Standard American sizes

NB: Coding options
according to table on
page 826

DESCRIPTION

- Made of polyester resin and fibreglass.
- Equipped with pressure gauge, and manual air and water purge valves.
- Ø 400 mm cover
- Suitable for filtration speeds of 20, 30, 40 and 50 m³/h/m².
- Please ask your dealer for other speeds.
- All filters can be assembled with valve manifolds. 2½" sand discharge outlet.

Diameter Ø mm	Filtration velocity m ³ /h/m ²	Outlet Ø mm	Flow rate m ³ /h	Code	Standard Pack	Standard weight in kg	Standard volume in m ³
1050	20	63	17	41304	1	110	2.25
1050	30/40	75	25/34	41305	1	110	2.25
1050	50	90	43	41306	1	110	2.25
1200	20/30	75	22/33	41307	1	125	3.37
1200	40/50	90	45/56	41308	1	125	3.37
1400	20	75	30	41309	1	152	4.41
1400	30	90	46	41310	1	152	4.41
1400	40/50	110	61/77	41311	1	152	4.41
1600	20	90	40	41312	1	185	5.66
1600	30/40	110	60/80	41313	1	185	5.66
1600	50	125	100	41314	1	185	5.66
1800	20	90	50	41315	1	257	7.40
1800	30	110	76	41316	1	257	7.40
1800	40	125	101	41317	1	257	7.40
1800	50	140	125	41318	1	257	7.40
2000	20	110	62	41319	1	360	9.48
2000	30	125	94	41320	1	360	9.48
2000	40	140	125	41321	1	360	9.48
2000	50	160	157	41322	1	360	9.48

TECHNICAL FEATURES

Ø D (mm)	Filtration velocity (m ³ /h/m ²)	Code	Connections		Flow rate (m ³ /h)	Pool volume (8h) (m ³)	Filtration surface (m ²)	C (mm)	A (mm)	B (mm)	Ø D (mm)	Sand load (kg)	Gravel load (kg)	Grade 1 glass load (57011) (kg)	Grade 2 glass load (57012) (kg)	Grade 3 glass load (57013) (kg)
			mm	inches												
1050	20	41304	63	2"	17	136	0,86	1545	465	500	760	1125	175	678	221	244
	30/40	41305	75	2½"	25/34	200/272										
	50	41306	90	3"	43	344										
1200	20/30	41307	75	2½"	22/33	176/264	1,13	1730	675	500	850	1350	275	846	276	304
	40/50	41308	90	3"	45/56	360/448										
1400	20	41309	75	2½"	30	240	1,54	1845	725	500	1085	1850	350	1146	374	412
	30	41310	90	3"	46	368										
	40/50	41311	110	4"	61/77	488/616										
1600	20	41312	90	3"	40	320	2,01	1850	710	500	1230	2723	450	1654	540	595
	30/40	41313	110	4"	60/80	480/640										
	50	41314	125	4½"	100	800										
1800	20	41315	90	3"	50	400	2,54	1915	755	570	1370	3175	550	1941	634	698
	30	41316	110	4"	76	608										
	40	41317	125	4½"	101	808										
	50	41318	140	5"	125	1000										
2000	20	41319	110	4"	62	496	3,14	2030	775	570	1560	3650	675	2253	736	810
	30	41320	125	4½"	94	752										
	40	41321	140	5"	125	1000										
	50	41322	160	6"	157	1256										

Europe filters



Filtration bed
1 m

Maximum pressure:
2.5 kg/cm².

Does not include valve
manifold

* May be coupled with 2" multiport valve.
** May be coupled with 2½" multiport valve.

Optional:
Standard American sizes

NB: Coding options
according to table on
page 826

DESCRIPTION

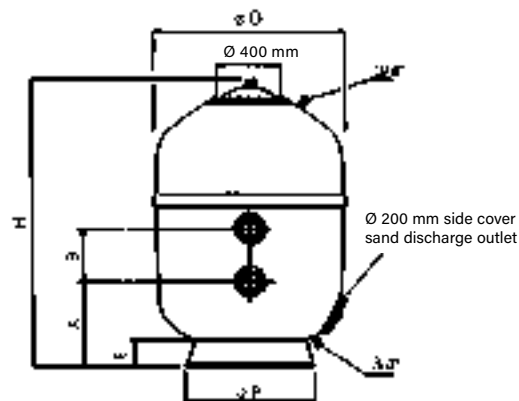
- Made of polyester resin and fibreglass.
- Equipped with pressure gauge, and manual air and water purge valves.
- Ø 400 mm cover Suitable for filtration speeds of 20, 30, 40 and 50 m³/h/m².
- Please ask your dealer for other speeds.
- All filters can be assembled with valve manifolds. 2½" sand discharge outlet.

Diameter Ø mm	Filtration velocity m ³ /h/m ²	Outlet Ø mm	Flow rate m ³ /h	Code	Standard Pack	Standard weight in kg	Standard volume in m ³
1050	20*	63	17	20070	1	125	2.823
1050	30/40**	75	25/34	20071	1	125	2.823
1050	50	90	43	20072	1	125	2.823
1200	20/30	75	22/33	20068	1	150	3.597
1200	40/50	90	45/56	20069	1	150	3.597
1400	20	75	30	21497	1	214	4.90
1400	30	90	46	21498	1	214	4.90
1400	40/50	110	61/77	21499	1	214	4.90
1600	20	90	40	21500	1	230	6.50
1600	30/40	110	60/80	21501	1	230	6.50
1600	50	125	100	21502	1	230	6.50
1800	20	90	50	21503	1	344	8.80
1800	30	110	76	21504	1	344	8.80
1800	40	125	101	21505	1	344	8.80
1800	50	140	125	21506	1	344	8.80
2000	20	110	62	21507	1	435	10.58
2000	30	125	94	21508	1	435	10.58
2000	40	140	125	21509	1	435	10.58
2000	50	160	157	21510	1	435	10.58
2350	20	125	87	33820	1	600	15.70
2350	30	140	130	33822	1	600	15.70
2350	40	160	174	33824	1	600	15.70
2350	50	200	217	33826	1	600	15.70
2500	20	140	100	34302	1	630	-
2500	30	160	150	34303	1	630	-
2500	40	200	200	34304	1	630	-
2500	50	225	225	34305	1	630	-

TECHNICAL FEATURES

Ø (mm)	1050	1200	1400	1600	1800	2000	2350	2500
Depth of sand medium (m)	1	1	1	1	1	1	1	1
H (mm)	1860	1860	2000	2100	2200	2200	2430	2525
B (mm)	270*	350	400	400	400	400	400	500
A (mm)	540	570	615	710	725	805	950	1015
Ø P (mm)	760	850	1083	1230	1370	1558	1830	1830
E (mm)	170	180	240	250	270	300	355	-
Filtration surface areas (m ²)	0,86	1,13	1,54	2,01	2,54	3,14	4,34	4,9
Volume (l)	1250	1575	2185	2965	3850	4850	7230	9385
Sand load (kg)	1050	1360	1820	2375	3010	3750	5000	5600
Gravel load (kg)	265	325	410	515	760	1060	2000	2920
Grade 1 glass load (57011) (kg)	683	876	1160	1504	1959	2497	3622	4395
Grade 2 glass load (57012) (kg)	223	286	379	491	640	816	1183	1436
Grade 3 glass load (57013) (kg)	246	315	417	541	705	898	1302	1580
Total operating weight (kg)	2060	2600	3500	4700	6150	7800	10786	13800

* For 2" multiport valve the height will be 230 mm.



LAMINATED FILTERS

Europe filters



**Filtration bed
1.2 m**

**Maximum pressure:
2.5 kg/cm².**

**Does not include valve
manifold**

**Optional:
Standard American sizes**

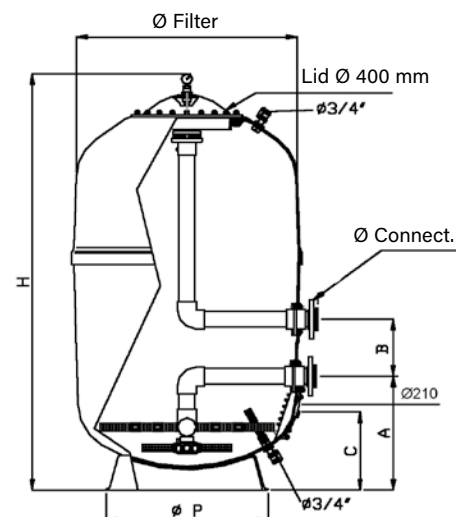
DESCRIPTION

- Made of polyester resin and fibreglass.
- Equipped with pressure gauge, and manual air and water purge valves.
- Ø 400 mm cover Suitable for filtration speeds of 20, 30, 40 and 50 m³/h/m².
- Please ask your dealer for other speeds.
- All filters can be assembled with valve manifolds. 2½" sand discharge outlet.

Diameter Ø mm	Filtration velocity m ³ /h/m ²	Outlet Ø mm	Flow rate m ³ /h	Code	Standard Pack	Standard weight in kg	Standard volume in m ³
1050	20*	63	17	31857	1	140	3.04
1050	30/40**	75	25/34	31858	1	140	3.04
1050	50	90	43	31859	1	140	3.04
1200	20/30	75	22/33	31860	1	155	3.89
1200	40/50	90	45/56	31861	1	155	3.89
1400	20	75	30	21511	1	215	6.27
1400	30	90	46	21512	1	215	6.27
1400	40/50	110	61/77	21513	1	215	6.27
1600	20	90	40	21514	1	255	8.31
1600	30/40	110	60/80	21515	1	255	8.31
1600	50	125	100	21516	1	255	8.31
1800	20	90	50	21517	1	385	10.65
1800	30	110	76	21518	1	385	10.65
1800	40	125	101	21519	1	385	10.65
1800	50	140	125	21520	1	385	10.65
2000	20	110	62	21521	1	425	12.90
2000	30	125	94	21522	1	425	12.90
2000	40	140	125	21523	1	425	12.90
2000	50	160	157	21524	1	425	12.90
2350	20	125	87	33821	1	630	16.80
2350	30	140	130	33823	1	630	16.80
2350	40	160	174	33825	1	630	16.80
2350	50	200	217	33827	1	630	16.80
2500	20	140	100	34306	1	860	-
2500	30	160	150	34307	1	860	-
2500	40	200	200	34308	1	860	-
2500	50	225	225	34309	1	860	-

TECHNICAL FEATURES

Ø (mm)	1050	1200	1400	1600	1800	2000	2350	2500
Depth of sand medium (m)	1,2	1,2	1,2	1,2	1,2	1,2	1,2	1,2
H (mm)	2060	2060	2200	2300	2400	2400	2630	2675
B (mm)	270	350	400	400	400	400	400	500
A (mm)	540	570	615	710	725	805	950	1015
Ø P (mm)	760	850	1085	1230	1370	1560	1830	1830
E (mm)	170	180	240	250	270	300	355	-
Filtration surface areas (m ²)	0,86	1,13	1,54	2,01	2,54	3,14	4,34	4,90
Volume (l)	1500	1900	2650	3560	4620	5820	8060	-
Sand load (kg)	1300	1660	2220	2950	3680	4600	6130	6680
Gravel load (kg)	265	325	410	515	760	1060	2000	2920
Grade 1 glass load (57011) (kg)	815	1034	1370	1806	2311	2944	4215	4962
Grade 2 glass load (57012) (kg)	266	338	448	590	755	962	1377	1621
Grade 2 glass load (57012) (kg)	293	372	493	649	831	1059	1516	1784
Total operating weight (kg)	2375	2950	4000	5475	6950	8800	12180	14460



DIN filters



SINGLE LAYER



MULTILAYER



Filtration bed
1.2 m

DESCRIPTION

Laminated filter made of polyester resin and fibreglass. According to standard DIN 19643/19605. Ral 5015 colour code.

It is characterised by:

- Bolts in 316 AISI.
- Outlet clear water above nozzle plate in Europe.
- Nozzle plate system 65 units / m².
- 5 years warranty in tank.
- Maximum pressure: 2.5 bar.
- Maximum temperature 50° C.
- Sight glass 50 x 300 mm (one or two sight glasses, depending on model).
- Filter bed height 1,2 m.
- Freeboard 0,5 m.
- Connections in polyester.
- Lateral manhole d.400 in all models except Norma DIN 650 with d.200 mm.
- Top manhole d.400 mm in all models except Norma DIN 650 and 800 with d.200 mm.

OPTIONAL FEATURES

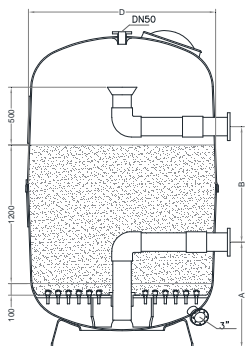
- Maximum pressure 4 bar.
- Ozone resistance 10mg/l (DIN 18820).

	Code	Standard Pack	Standard weight in kg	Standard volume in m ³
Monolayer - 1 sight glass				
DIN Standard				
Ø 650 mm	66033 126 000	1	-	1.88
Ø 800 mm	66034 126 000	1	-	2.70
Ø 1000 mm	66035 126 000	1	-	4.30
Ø 1200 mm	66036 126 000	1	-	4.98
Europe DIN				
Outlet water above nozzle plate				
Ø 1400 mm	66037 126 000	1	-	7.85
Ø 1600 mm	66038 126 000	1	-	9.40
Ø 1800 mm	66039 126 000	1	-	12.40
Ø 2000 mm	66040 126 000	1	-	15.49
Outlet water under nozzle plate				
Ø 1400 mm	66685 126 000	1	-	7.85
Ø 1600 mm	66686 126 000	1	-	9.40
Ø 1800 mm	66687 126 000	1	-	12.40
Ø 2000 mm	66688 126 000	1	-	15.49
Multilayer - 2 sight glasses				
DIN Standard				
Ø 650 mm	66033 127 000	1	-	1.88
Ø 800 mm	66034 127 000	1	-	2.70
Ø 1000 mm	66035 127 000	1	-	4.30
Ø 1200 mm	66036 127 000	1	-	4.98
Europe DIN				
Outlet water above nozzle plate				
Ø 1400 mm	66037 127 000	1	-	7.85
Ø 1600 mm	66038 127 000	1	-	9.40
Ø 1800 mm	66039 127 000	1	-	12.40
Ø 2000 mm	66040 127 000	1	-	15.49
Outlet water under nozzle plate				
Ø 1400 mm	66685 127 000	1	-	7.85
Ø 1600 mm	66686 127 000	1	-	9.40
Ø 1800 mm	66687 127 000	1	-	12.40
Ø 2000 mm	66688 127 000	1	-	15.49

DIN filters

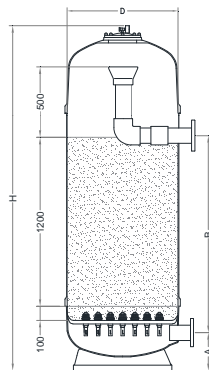
TECHNICAL FEATURES

Europe DIN

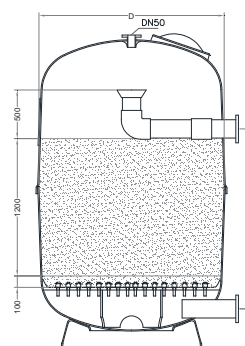


Monolayer - Outlet water above nozzle plate for European DIN.

DIN Standard

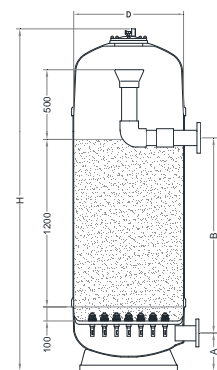


Europe DIN

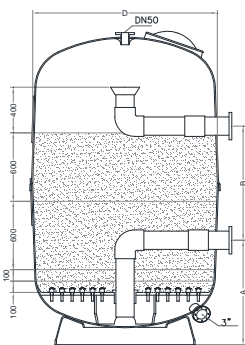


Monolayer - Outlet water under nozzle plate.

DIN Standard

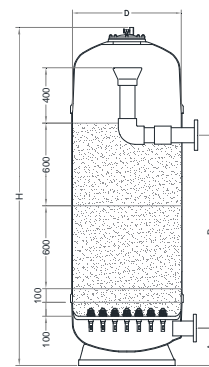


Europe DIN

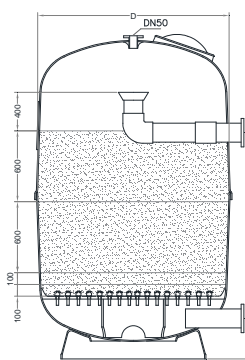


Multilayer - Outlet water above nozzle plate for European DIN.

DIN Standard

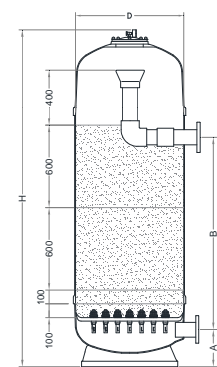


Europe DIN



Multilayer - Outlet water under nozzle plate.

DIN Standard



		DIN Standard				Europe DIN			
Monolayer (1 sight glass)	Outlet water above nozzle plate	66033 126 000	66034 126 000	66035 126 000	66036 126 000	66037 126 000	66038 126 000	66039 126 000	66040 126 000
	Outlet water under nozzle plate	66033 126 000	66034 126 000	66035 126 000	66036 126 000	66685 126 000	66686 126 000	66687 126 000	66688 126 000
Multilayer (2 sight glasses)	Outlet water above nozzle plate	66033 127 000	66034 127 000	66035 127 000	66036 127 000	66037 127 000	66038 127 000	66039 127 000	66040 127 000
	Outlet water under nozzle plate	66033 127 000	66034 127 000	66035 127 000	66036 127 000	66685 127 000	66686 127 000	66687 127 000	66688 127 000
Ø (mm)		650	800	1000	1200	1400	1600	1800	2000
Filtration velocity (m ³ /h/m ²)		20 / 30	20 / 30	20 / 30	20 / 30	20 / 30	20 / 30	20 / 30	20 / 30
Flow (m ³ /h)		7 / 10	10 / 15	16 / 23	23 / 34	31 / 46	40 / 60	51 / 76	63 / 94
H (mm)		2411	2442	2617	2752	2650	2738	2800	2880
A (mm)	Outlet water above nozzle plate	-	-	-	-	915	915	915	960
	Outlet water under nozzle plate	270	270	355	385	400	400	400	400
B (mm)	Outlet water above nozzle plate	-	-	-	-	1000	1000	1000	1000
	Outlet water under nozzle plate	1400	1400	1400	1400	1400	1400	1400	1400
D (mm)		668	818	1033	1234	1440	1640	1840	2040
Input connection (mm)		90	110	140	160	160	160	200	200
Output connection (mm)		75	90	110	140	140	160	160	200
MULTILAYER	1 st layer) Gravel 3 - 5 mm (kg)	50	80	120	175	240	310	395	485
	2 nd layer) Gravel 2 - 3 mm (kg)	50	80	120	175	240	310	395	485
	3 rd layer) Sand 0.4 - 0.8 mm (kg)	270	407	635	915	1245	1630	2060	2545
	4 th layer) Anthracite 0.6 - 1.6 mm (l)	160	240	375	540	740	965	1220	1508
SINGLE LAYER	Sand 0,7 -1.2 mm (kg)	535	815	1270	1830	2495	3255	4120	5090
	Gravel 2 - 3 mm (kg)	50	80	120	175	240	310	395	485
	Grade 1 glass load (57011) (kg)	305	470	730	1050	1430	1865	2360	2915
	Grade 2 glass load (57012) (kg)	100	155	240	340	470	610	770	950
	Grade 2 glass load (57012) (kg)	110	170	260	380	515	670	850	1050

Vic filters



Filtration bed
1 m

Maximum pressure:
2.5 kg/cm².

Does not include valve
manifold

For filters with nozzle
plates, a side opening
(Ø 400 mm or Ø 225 mm)
should be made for
emptying the filter
medium.

Optional:
Standard American sizes

NB: Technical features
in accordance with the
table on the following
page

DESCRIPTION

Industrial bobbin wound filters with diameters from 1050 mm to 3000 mm, with the corresponding flange connections for different filtration velocities. Replaces the Atenas model. New top cover system with quick closing system 400 x 500 mm opening. The air relief valve is fitted into the cover in order to help eliminate air from the filter. 1½" collector arms injected in ABS at the necessary lengths for each of the filters and without joints. Lengths from 90 mm to 525 mm. A reduced head loss is achieved thanks to the greater diameter of the arms.

The 90 mm diameter collector tubing is injected in PVC. Water purge and air relief are faster due to a 1" connection. The distance between the top sand layer and the diffuser head ("freeboard") has been increased to ensure greater water distribution during filtration and to prevent sand entering into the laterals during the backwashing.

In the case of filters with diameters of 2350 mm, 2500 mm and 3000 mm, the top cover is Ø 400 mm that screws into place and has a PRFV high resistance neck ring. The 200 mm, 225 mm and 250 mm connections are in PVC and the foot is plain, both of which are features very similar to the Oslo and Prague models.

Diameter Ø mm	Filtration velocity m ³ /h/m ²	Outlet Ø mm	Flow rate m ³ /h	Code	Standard Pack	Standard weight in kg	Standard volume in m ³
1050	20	63	17	11511N	1	120	1.9
1050	30-40	75	25-34	11517N	1	120	1.9
1050	50	90	43	11526N	1	120	1.9
1200	20-30	75	22-33	11512N	1	154	2.7
1200	40-50	90	45-56	11522N	1	154	2.7
1400	20	75	30	11513N	1	173	3.7
1400	30	90	46	11518N	1	173	3.7
1400	40-50	110	61-77	11523N	1	173	3.7
1600	20	90	40	11514N	1	235	5.0
1600	30-40	110	60-80	11519N	1	235	5.0
1600	50	125	100	11527N	1	235	5.0
1800	20	90	50	11515N	1	270	6.4
1800	30	110	76	11520N	1	270	6.4
1800	40	125	101	11524N	1	270	6.4
1800	50	140	125	11528N	1	270	6.4
2000	20	110	62	11516N	1	295	8.7
2000	30	125	94	11521N	1	295	8.7
2000	40	140	125	11525N	1	295	8.7
2000	50	160	157	11529N	1	295	8.7



Filter base



Collector arms

Vic filters



Filtration bed
1 m

Does not include valve
manifold

For filters with nozzle
plates, a side opening
(Ø 400 mm or Ø 225 mm)
should be made for
emptying the filter
medium.

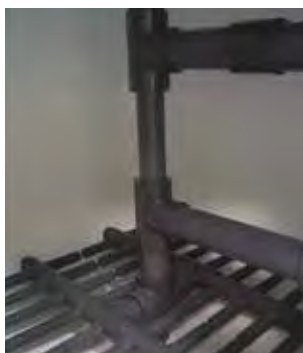
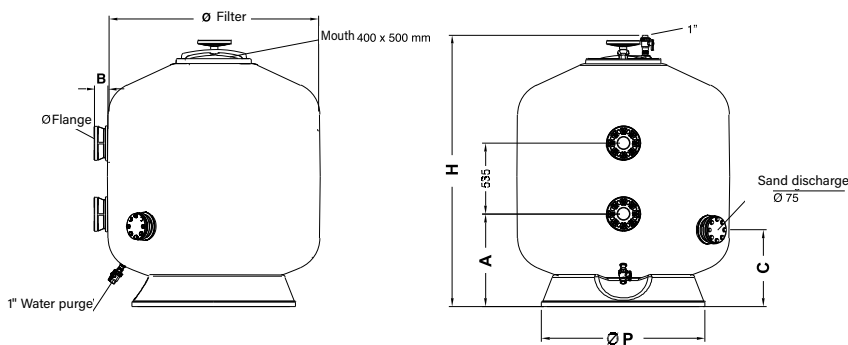
Optional:
Standard American sizes

TECHNICAL FEATURES

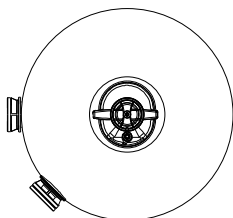
Code 2.5 kg	Ø filter mm	A mm	B mm	C mm	H mm	Ø P mm	Ø flange mm	Filtration surface area (m ²)
11511N	1050	685	85	535	1950	760	63	0.86
11517N	1050	685	85	535	1950	760	75	0.86
11526N	1050	685	85	535	1950	760	90	0.86
11512N	1200	680	85	530	1970	860	75	1.13
11522N	1200	680	85	530	1970	860	90	1.13
11513N	1400	685	85	575	2000	1020	75	1.54
11518N	1400	685	85	575	2000	1020	90	1.54
11523N	1400	685	85	575	2000	1020	110	1.54
11514N	1600	695	85	625	2050	1150	90	2.01
11519N	1600	695	85	625	2050	1150	110	2.01
11527N	1600	695	85	625	2050	1150	125	2.01
11515N	1800	710	85	670	2080	1320	90	2.54
11520N	1800	710	85	670	2080	1320	110	2.54
11524N	1800	710	85	670	2080	1320	125	2.54
11528N	1800	710	85	670	2080	1320	140	2.54
11516N	2000	730	85	715	2150	1470	110	3.14
11521N	2000	730	85	715	2150	1470	125	3.14
11525N	2000	730	85	715	2150	1470	140	3.14
11529N	2000	730	85	715	2150	1470	160	3.14



Filter base



Collector arms



Type	Ø	1050	1200	1400	1600	1800	2000
Single-layer collector arms	Sand load (kg)	950	1375	1650	2150	2800	3800
	Gravel load (kg)	300	300	450	675	750	1050
	Grade 1 glass load (57011) (kg)	648	872	1091	1465	1844	2519
	Grade 2 glass load (57012) (kg)	212	285	356	479	602	823
	Grade 2 glass load (57012) (kg)	233	313	392	527	663	906
Single-layer nozzle plate	Sand load (kg)	700	1200	1400	1850	2400	3300
	Gravel load (kg)	150	175	250	300	400	500
	Grade 1 glass load (57011) (kg)	442	717	860	1121	1460	1982
	Grade 2 glass load (57012) (kg)	144	234	281	366	477	647
	Grade 2 glass load (57012) (kg)	159	258	309	403	525	173

Praga filters



DESCRIPTION

Polyester and fibreglass single-layer filter Ø400mm lid. Equipped with pressure gauge panel, manual air and water bleed valves and drain plug. Suitable for filtration speeds of 20, 30, 40 and 50 m³/h/m².

For other filtration velocities, please enquire.

**Filtration bed
1 m**

**Maximum pressure:
2.5 kg/cm².**

**Does not include valve
manifold**

**For filters with nozzle
plates, a side opening (Ø
400 mm or Ø 225 mm)
should be made for
emptying the filter
medium.**

**Optional:
Standard American sizes**

**OTHER SPECIFIC
DEPTHS MAY BE MADE
TO ORDER.**

**THE Ø 3000 mm FILTERS
WILL BE SHIPPED BY
SPECIAL DELIVERY.
ASK YOUR DEALER
ABOUT ADDITIONAL
COSTS.**

**Note: See technical
features on next page**

Diameter Ø mm	Filtration velocity m ³ /h/m ²	Outlet Ø mm	Flow rate m ³ /h	Code	Standard Pack	Standard weight in kg	Standard volume in m ³
1050	20	63	17	00687	1	120	2.45
1050	30-40	75	25-34	00694	1	120	2.45
1050	50	90	43	00707	1	120	2.45
1200	20-30	75	22-33	00688	1	155	3.38
1200	40-50	90	45-56	00702	1	155	3.38
1400	20	75	30	00689	1	198	4.75
1400	30	90	46	00696	1	198	4.75
1400	40	110	61	00703	1	198	4.75
1600	20	90	40	00690	1	255	6.13
1600	30-40	110	60-80	00697	1	255	6.13
1600	50	125	100	00710	1	255	6.13
1800	20	90	50	00691	1	285	7.25
1800	30	110	76	00698	1	285	7.25
1800	40	125	101	00705	1	285	7.25
1800	50	140	125	00711	1	285	7.25
1800	50	160	125	33312	1	285	7.25
2000	20	110	62	00692	1	355	9.92
2000	30	125	94	00699	1	355	9.92
2000	40	140	125	00706	1	355	9.92
2000	50	160	157	05083	1	355	9.92
2200	30	140	114	56937	1	450	13.9
2200	40	160	152	56938	1	450	13.9
2350	20	125	87	00693	1	500	17.04
2350	30	140	130	00700	1	500	17.04
2350	40	160	175	04935	1	500	17.04
2500	20	140	100	08695	1	750	19.5
2500	30	160	150	08696	1	750	19.5
2500	40	200	200	08697	1	750	19.5
3000	20	160	140	08699	1	1340	29.0
3000	30	200	212	08700	1	1340	29.0
3000	40	225	282	08701	1	1340	29.0

Praga filters



Filtration bed
1 m

Maximum pressure:
4 kg/cm²

Does not include valve
manifold

For filters with nozzle
plates, a side opening
(Ø 400 mm or Ø 225 mm)
should be made for
emptying the filter
medium.

Optional:
Standard American sizes

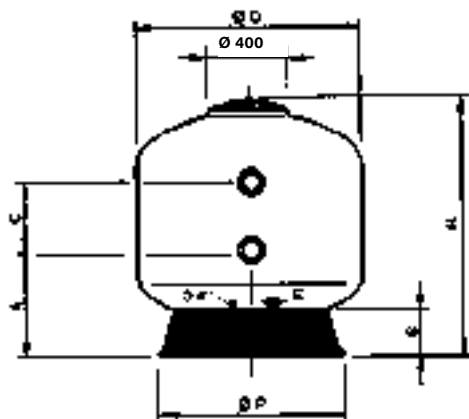
OTHER SPECIFIC
DEPTHS MAY BE MADE
TO ORDER.

DESCRIPTION

Lid Ø 400 mm.

Diameter Ø mm	Filtration velocity m ³ /h/m ²	Outlet Ø mm	Flow rate m ³ /h	Code	Standard Pack	Standard weight in kg	Standard volume in m ³
1050	20	63	17	09209	1	155	2.45
1050	30-40	75	25-34	00712	1	155	2.45
1050	50	90	43	00724	1	155	2.45
1200	20-30	75	22-33	00713	1	215	3.38
1200	40-50	90	45-56	00719	1	215	3.38
1400	20	75	30	09210	1	300	4.75
1400	30	90	46	00714	1	300	4.75
1400	40-50	110	61-77	00720	1	300	4.75
1600	20	90	40	09211	1	330	6.13
1600	30-40	110	60-80	00715	1	330	6.13
1600	50	125	100	00727	1	330	6.13
1800	20	90	50	09212	1	400	7.25
1800	30	110	76	00716	1	400	7.25
1800	40	125	101	00722	1	400	7.25
1800	50	140	125	00728	1	400	7.25
2000	20	110	62	09213	1	475	9.92
2000	30	125	94	00717	1	475	9.92
2000	40	140	125	00723	1	475	9.92
2000	50	160	157	05132	1	475	9.92
2200	30	140	114	57812	1	560	13.9
2200	40	160	152	57813	1	560	13.9
2350	20	125	87	09214	1	630	17.04
2350	30	140	130	09217	1	630	17.04
2350	40	160	175	09220	1	630	17.04
2500	20	140	100	09215	1	930	19.5
2500	30	160	150	09218	1	930	19.5
2500	40	200	200	09221	1	930	19.5
3000	20	160	140	09216	1	1630	29.0
3000	30	200	212	09219	1	1630	29.0
3000	40	225	282	09222	1	1630	29.0

THE Ø 3000 mm FILTERS
WILL BE SHIPPED BY
SPECIAL DELIVERY.
ASK YOUR DEALER
ABOUT ADDITIONAL
COSTS.



TECHNICAL FEATURES										
Ø (mm)	1050	1200	1400	1600	1800	2000	2200	2350	2500	3000
Depth of sand medium (m)	1	1	1	1	1	1	1	1	1	1
H (mm)	1640	1780	1755	1835	1875	2040	2440	2520	2550	2750
B (mm)	200	230	240	260	280	300	340	340	340	350
A (mm)	540	570	585	680	720	790	950	965	1080	1100
C (mm)	645	640	610	515	465	510	510	600	450	440
Ø P (mm)	755	940	1085	1230	1370	1550	1830	1859	2000	2365
E (mm)	90	90	90	140	140	140	140	140	140	140
Filtration surface areas (m ²)	0.86	1.13	1.54	2.01	2.54	3.14	3.80	4.34	4.90	7.07
Volume (l)	1050	1500	2000	2600	3400	4400	6520	8045	9050	12800
Sand load (kg)	950	1375	1650	2150	2800	3800	4650	5275	5950	8600
Gravel load (kg)	300	300	450	675	750	1050	1900	1800	2200	3300
Grade 1 glass load (57011) (kg)	648	872	1091	1465	1844	2519	3388	3667	4220	6160
Grade 2 glass load (57012) (kg)	212	285	356	479	602	823	1107	1198	1378	2012
Grade 2 glass load (57012) (kg)	233	313	392	527	663	906	1218	1319	1518	2215
Total operating weight (kg)	2000	2700	3700	4900	6100	7900	11200	12550	13760	20200

2.5 bar OC-1 Praga filters



Filtration bed
1 m

Maximum pressure:
2.5 kg/cm².

NB: Coding options
according to table on
page 826



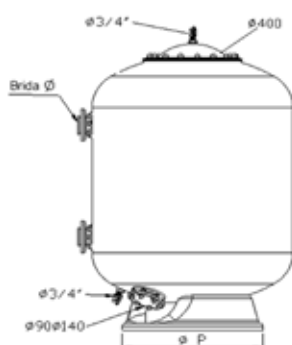
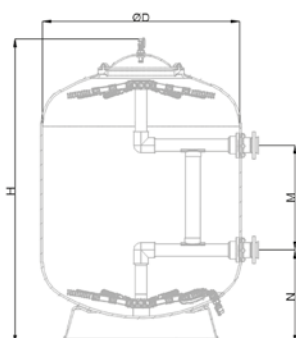
OC-1 filtration medium

DESCRIPTION

Filters manufactured with a resin and fibreglass bobbin.

- Maximum working pressure: 2.5 bar
- Maximum temperature: 50°C.
- Height of filter bed: 1 m or 1.2 m
- Colour: RAL 6027.
- Ø400 mm plastic lid.
- Ø¾" manual air bleed valve.
- Special interiors with 3mm slot arms.
- PVC connections.
- Average discharge of Ø90 mm in models Ø1050 to Ø1400 and Ø140 mm in models Ø1600 to Ø3000.
- Ø¾" manual water bleed valve.
- Filter suitable for OC-1 medium only. Not suitable for sand, glass or other type of filtration media.

Diameter Ø mm	Filtration velocity m ³ /h/m ²	Outlet Ø mm	Flow rate m ³ /h	Code	Standard Pack	Standard weight in kg	Standard volume in m ³
1050	20	63	17	00687 OC1	1	286	-
1050	30/40	75	25/34	00694 OC1	1	286	-
1050	50	90	43	00707 OC1	1	286	-
1200	20/30	75	22/33	00688 OC1	1	354	-
1200	40/50	90	45/56	00702 OC1	1	354	-
1400	20	75	30	00689 OC1	1	504	-
1400	30	90	46	00696 OC1	1	504	-
1400	40/50	110	61/77	00703 OC1	1	504	-
1600	20	90	40	00690 OC1	1	600	-
1600	30/40	110	60/80	00697 OC1	1	600	-
1600	50	125	100	00710 OC1	1	600	-
1800	20	90	50	00691 OC1	1	744	-
1800	30	110	76	00698 OC1	1	744	-
1800	40	125	101	00705 OC1	1	744	-
1800	50	140	125	00711 OC1	1	744	-
1800	50	160	125	33312 OC1	1	744	-
2000	20	110	62	00692 OC1	1	997	-
2000	30	125	94	00699 OC1	1	997	-
2000	40	140	125	00706 OC1	1	997	-
2000	50	160	157	05083 OC1	1	997	-



Ø (mm)	1050	1200	1400	1600	1800	2000
H (mm)	1640	1780	1755	1835	1875	2040
M (mm)	645	640	610	515	465	510
N (mm)	540	570	585	680	720	790
P (mm)	755	940	1085	1230	1370	1550
Filtration surface areas (m ²)	0.86	1.13	1.54	2.01	2.54	3.14
OC-1 load (kg)	176	229	319	385	494	667

BOBBIN WOUND FILTERS

Vertical high performance

bobbin wound filters



Oslo

Olot



Does not include valve manifold

**THIS TABLE ONLY
COVERS HIGH
PERFORMANCE OSLO
AND OLOT BOBBIN
WOUND FILTERS**

DESCRIPTION

General features:

- 100% resistant to corrosion unlike conventional steel filters
- Maximum operating temperature 50° C
- Comply with European standards for pressure vessels 97/23/CE included in section 3 of article 3
- Hydraulic pressure test 1.5 times the maximum admissible pressure

Technical features of internal components:

- Internal components and pipe in PVC
- Laterals and nozzles in PP
- Airwash connection in models with underdrain nozzle plates
- Bolts, nuts and washers in AISI-316
- EPDM seals and gaskets.

Advantages of using an underdrain nozzle plate system over the conventional lateral system:

- There are no areas beneath the nozzles for water to stagnate as could occur in a lateral system
- Optimum filter bed back wash with an uniform water distribution
- Possibility of air wash with consequent saving of clean water
- The lateral manhole is recommended for sand discharge

The characteristics of liquids to be filtered should be indicated clearly when requesting ozone or other chemical resistant coatings for the filter interior.

RECOMMENDED SAND, GRAVEL AND GLASS LOADS

SINGLE-LAYER - Collector arms - Filtration bed 1.2 m in depth

Diameter mm		1050	1200	1400	1600	1800	2000	2200	2350	2500	2600	2800	3000
Sand load (kg)		1300	1775	2300	3000	3800	4650	5625	6300	7075	8176	9483	10575
Gravel load (kg)		300	350	500	775	850	1150	1400	1800	1975	2123	2463	3850
Grade 1 glass load (57011) (kg)		832	1107	1457	1961	2419	3015	3651	4205	4699	5351	6207	7471
Grade 2 glass load (57012) (kg)		272	361	476	641	790	985	1193	1373	1535	1748	2027	2440
Grade 2 glass load (57012) (kg)		299	398	524	705	870	1084	1313	1512	1690	1924	2232	2687

MULTI-LAYER - Collector arms - Filtration bed 1.2 m in depth

Diameter mm		1050	1200	1400	1600	1800	2000	2200	2350	2500	2600	2800	3000
Hydroanthracite (0.8-1.6) Kg	600 mm	450	575	775	1000	1275	1575	1900	2175	2450	2548	2956	3550
Sand (0,4-0,8) (Kg)	400 mm	475	625	825	1100	1400	1700	2050	2350	2675	2973	3448	3850
Gravel (1-2) (Kg)	100 mm	150	175	250	300	400	500	600	675	775	796	924	1100
Gravel (2-3) (Kg)	100 mm (1)	300	350	500	775	850	1150	1400	1800	1975	2123	2463	3850

SINGLE-LAYER - Nozzle plate - Filtration bed 1.2 m in depth

Diameter mm		1050	1200	1400	1600	1800	2000	2200	2350	2500	2600	2800	3000
Sand load (kg)		1300	1775	2300	3000	3800	4050	5625	6300	7075	8176	9483	10575
Gravel load (kg)		150	175	250	300	400	500	600	675	775	796	924	1100
Grade 1 glass load (57011) (kg)		757	1019	1332	1725	2195	2376	3253	3645	4102	4690	5441	6102
Grade 2 glass load (57012) (kg)		247	333	435	563	717	776	1063	1191	1340	1532	1777	1993
Grade 2 glass load (57012) (kg)		272	367	479	620	789	845	1170	1311	1475	1687	1957	2194

MULTI-LAYER - Nozzle plate - Filtration bed 1.2 m in depth

Diameter mm		1050	1200	1400	1600	1800	2000	2200	2350	2500	2600	2800	3000
Hydroanthracite (0.8-1.6) Kg	600 mm	450	575	775	1000	1275	1575	1900	2175	2450	2548	2956	3550
Sand (0,4-0,8) (Kg)	400 mm	475	625	825	1100	1400	1700	2050	2350	2675	2973	3448	3850
Gravel (1-2) (Kg)	100 mm	150	175	250	300	400	500	600	675	775	796	924	1100
Gravel (3-5) (Kg)	100 mm	150	175	250	300	400	500	600	675	775	796	924	1100

MULTI-LAYER - Nozzle plate - Filtration bed 1.5 m in depth

Diameter mm		1050	1200	1400	1600	1800	2000	2200	2350	2500	2600	2800	3000
Hydroanthracite (0.8-1.6) Kg	600 mm	450	575	775	1000	1275	1575	1900	2175	2450	2548	2956	3550
Sand (0,4-0,8) (Kg)	600 mm	725	950	1250	1650	2100	2550	3100	3525	4025	4460	5172	5775
Gravel (1-2) (Kg)	100 mm	150	175	250	300	400	500	600	675	775	796	924	1100
Gravel (2-3) (Kg)	100 mm	150	175	250	300	400	500	600	675	775	796	924	1100
Gravel (3-5) (Kg)	100 mm	150	175	250	300	400	500	600	675	775	796	924	1100

Densities: Hydroanthracite = 0.8 Kg/dm³ - Sand = 1.4 Kg/dm³ - Gravel = 1.5 Kg/dm³

(1) 100 mm above laterals

Oslo filters



**Filtration bed
1.2 m**

**Maximum pressure: 2.5
kg/cm².**

**Does not include valve
manifold**

**Optional:
Standard American sizes**

**OTHER SPECIFIC
DEPTHS MAY BE MADE
TO ORDER.**

**THE Ø 3000 mm FILTERS
WILL BE SHIPPED BY
SPECIAL DELIVERY.
ASK YOUR DEALER
ABOUT ADDITIONAL
COSTS.**



Lateral manhole Ø 400 mm



Nozzle plate



Sightglass

DESCRIPTION

Characteristics:

Vertical high performance bobbin wound filters

Collector system:

A-Conventional collector system using laterals with 0.3 mm slots.

For working pressure of 2.5 and 4 bars.

B-Nozzle plate with 0.5 mm slots. For working pressure of 2.5 and 4 bars.

Fitted with:

- Pressure gauge panel
- Manual air vent and water purge

Options:

- Positioning of water connections flanges, sightglasses and manhole covers are provided according to customer specification.
- Diameters of connections and purges depend on customer specifications
- For other variations such as height, chemical resistant internal coating, pressure rating, etc., please enquire.

Diameter Ø mm	Filtration velocity m ³ /h/m ²	Outlet Ø mm	Flow rate m ³ /h	Code	Standard Pack	Standard weight in kg	Standard volume in m ³
1050	30	75	25	04611	1	207	2.5
1050	40	90	34	04612	1	207	2.5
1200	30	75	33	04613	1	234	3.2
1200	40	110	45	04650	1	234	3.2
1400	30	90	46	04615	1	294	4.7
1400	40	125	61	04616	1	294	4.7
1600	30	110	60	04619	1	360	6.2
1600	40	140	80	04651	1	360	6.2
1800	30	125	76	04623	1	416	8.5
1800	40	160	101	04624	1	416	8.5
2000	30	125	94	04626	1	483	10.3
2000	40	160	125	04652	1	483	10.3
2200	30	140	114	56935	1	567	14.8
2200	40	160	152	56936	1	567	14.8
2350	30	140	130	08693	1	651	15.8
2350	40	200	175	08694	1	651	15.8
2500	30	160	150	08704	1	820	20.8
2500	40	225	200	08706	1	820	20.8
3000	30	200	212	08708	1	1300	31.0
3000	40	250	282	08710	1	1300	31.0

Oslo filters



**Filtration bed
1.2 m**

**Maximum pressure:
4 kg/cm²**

**Optional:
Standard American sizes**

**LARGE FILTERS OF
MORE THAN 2500 mm
WILL BE SHIPPED BY
SPECIAL DELIVERY. ASK
YOUR DEALER ABOUT
ADDITIONAL COSTS.**

**For filters with nozzle
plates, a side opening
(Ø 400 mm or Ø 225 mm)
should be made for
emptying the filter
medium.**

**NB: Coding options
according to table on
page 826**

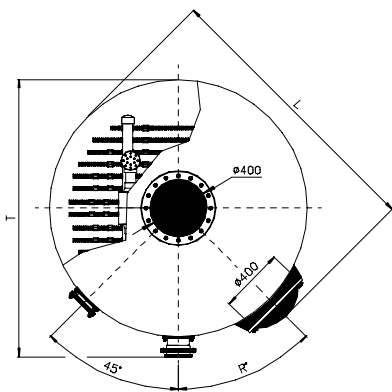
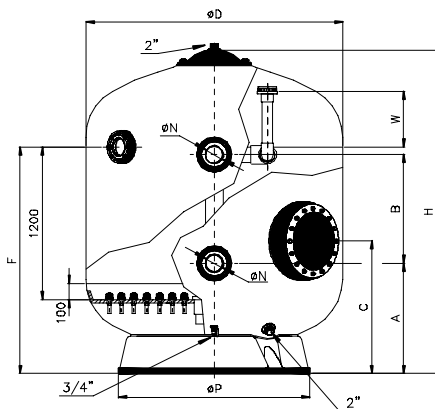
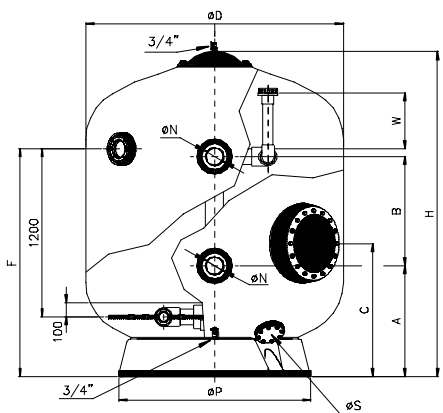
Diameter Ø mm	Filtration velocity m ³ /h/m ²	Outlet Ø mm	Flow rate m ³ /h	Code	Standard Pack	Standard weight in kg	Standard volume in m ³
1050	30	75	25	05168	1	230	2.5
1050	40	90	34	05173	1	230	2.5
1200	30	75	33	05169	1	265	3.2
1200	40	110	45	05174	1	265	3.2
1400	30	90	46	07436	1	364	4.7
1400	40	125	61	07437	1	364	4.7
1600	30	110	60	05170	1	442	6.2
1600	40	140	80	05175	1	442	6.2
1800	30	125	76	07438	1	518	8.5
1800	40	160	101	07439	1	518	8.5
2000	30	125	94	05171	1	644	10.3
2000	40	160	125	05176	1	644	10.3
2200	30	140	114	57810	1	715	14.8
2200	40	160	152	57811	1	715	14.8
2350	30	140	130	05172	1	786	15.8
2350	40	200	175	05177	1	786	15.8
2500	30	160	150	08712	1	964	20.8
2500	40	225	200	08714	1	964	20.8
3000	30	200	212	08716	1	1613	31.0
3000	40	250	282	08718	1	1613	31.0

TECHNICAL FEATURES

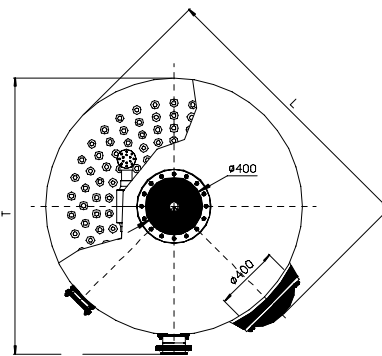
Type	Multi-layer collector arms					Multi-layer nozzle plate				
	Sand load (kg)	Gravel load kg	Grade 1 glass load (57011) kg	Grade 2 glass load (57012) kg	Grade 3 glass load (57013) kg	Sand load (kg)	Gravel load kg	Grade 1 glass load (57011) kg	Grade 2 glass load (57012) kg	Grade 3 glass load (57013) kg
1050	1300	300	832	272	299	1300	150	757	247	272
1200	1775	350	1107	361	398	1775	175	1019	333	367
1400	2300	500	1457	476	524	2300	250	1332	435	479
1600	3000	775	1961	641	705	3000	300	1725	563	620
1800	3800	850	2419	790	870	3800	400	2195	717	789
2000	4650	1150	3015	985	1084	4050	500	2376	776	845
2200	5625	1400	3651	1193	1313	5625	600	3253	1063	1170
2350	6300	1800	4205	1373	1512	6300	675	3645	1191	1311
2500	7075	1975	4699	1535	1690	7075	775	4102	1340	1475
3000	10575	3850	7471	2440	2687	10575	1100	6102	1993	2194

Oslo filters

TECHNICAL FEATURES



Oslo collector arms



Oslo nozzle plate

Ø D (mm)	Filtration velocity (m ³ /h/m ²)	Ø N (mm)	2,5 bar		4 bar		Flow rate m ³ /h	Filtration area (m ²)	Volume (l)	A (mm)	B (mm)	C (mm)	F (mm)	H (mm)	L (mm)	Ø P (mm)	R	Ø S (mm)	T (mm)	W (mm)	Total operating weight (kg)
			Code	Code	Code	Code															
1050	30	75	DN65	04611	05168	25	0.86	1500	650	940	770	1550	2070	1240	750	55°	90	1220	325	2450	
	40	90	DN80	04612	05173	34															
1200	30	75	DN65	04613	05169	33	1.13	1860	670	830	770	1550	2080	1390	940	45°	90	1380	350	3000	
	40	110	DN100	04650	05174	45															
1400	30	90	DN80	04615	07436	46	1.54	2700	680	820	840	1570	2175	1590	1085	45°	90	1570	350	4300	
	40	125	DN110	04616	07437	61															
1600	30	110	DN100	04619	05170	60	2.01	3620	780	800	870	1625	2310	1790	1230	45°	140	1780	400	5825	
	40	140	DN125	04651	05175	80															
1800	30	125	DN110	04623	07438	76	2.54	4725	790	780	950	1625	2320	1990	1370	45°	140	2000	400	7300	
	40	160	DN150	04624	07439	101															
2000	30	125	DN110	04626	05171	94	3.14	5800	790	840	950	1695	2460	2190	1550	45°	140	2200	400	9000	
	40	160	DN150	04652	05176	125															
2200	30	140	DN125	56935	57810	114	3.80	7080	960	700	1100	1750	2580	2390	1860	45°	140	2400	450	12500	
	40	160	DN150	56936	57811	152															
2350	30	140	DN125	08693	05172	130	4.34	8800	1065	700	1130	1850	2720	2550	1860	45°	140	2550	500	13750	
	40	200	DN175	08694	05177	175															
2500	30	160	DN150	08704	08712	150	4.90	9850	1125	450	1080	1760	2750	2700	2000	45°	140	2750	500	14885	
	40	225	DN200	08706	08714	200															
3000	30	200	DN175	08708	08716	212	7.07	15350	1150	600	1140	1870	2950	3200	2365	45°	140	3200	500	21615	
	40	250	DN225	08710	08718	282															

Olot filters



**Filtration bed
1.2 m and 1.5 m**

**Maximum pressure:
2 kg/cm²**

**Does not include valve
manifold**

**Optional:
Standard American sizes**

**THE Ø 3000 mm FILTERS
WILL BE SHIPPED BY
SPECIAL DELIVERY.
ASK YOUR DEALER
ABOUT ADDITIONAL
COSTS.**

**NB: Coding options
according to table on
page 826**

DESCRIPTION

Features:

According to DIN 19605/19643 Standard

Collector system:

Nozzle plate with 0.5 mm slots, working pressure 2.5 bar.

Fitted with:

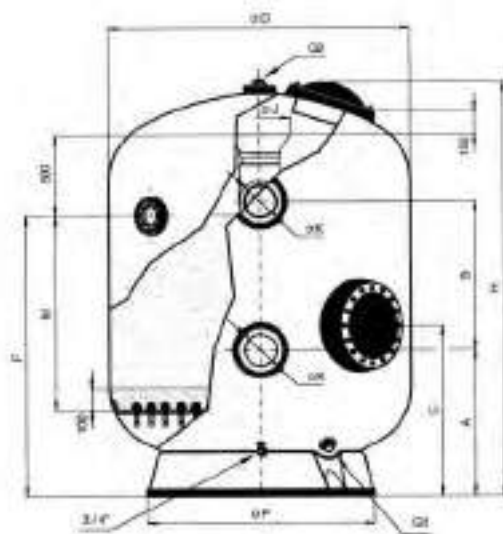
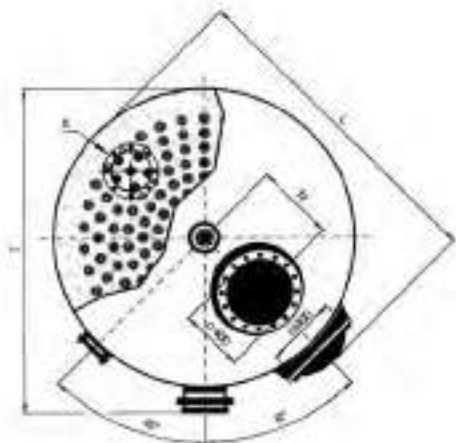
- Pressure gauge panel
- Manual air vent and water purge
- Air wash connection flange
- Ø 400 mm manhole

Options:

- Positioning of water connections flanges, sightglasses and manhole covers are provided according to customer specification.
- Diameters of connections and purges depend on customer specifications
- For other variations such as height, chemical resistant internal coating, pressure rating, etc., please enquire.

Diameter Ø mm	Filtration velocity m ³ /h/m ²	Outlet Ø mm	Flow rate m ³ /h	Code	Standard Pack	Standard weight in kg	Standard volume in m ³
Filtration bed 1.2 m							
1050	30	110	25	07355	1	265	2.95
1200	30	125	33	07356	1	345	3.86
1400	30	140	46	07447	1	380	5.22
1600	30	160	60	07357	1	420	7.09
1800	30	200	76	07448	1	470	9.09
2000	30	225	94	07358	1	540	11.25
2200	30	225	114	56934	1	-	15.34
2350	30	250	130	07359	1	825	16.20
2500	30	250	150	19335	1	940	24.40
2600	30	250	160	23969	1	1021	25.21
2800	30	250	185	23970	1	1135	29.50
3000	30	250	212	19336	1	1425	30.00
Filtration bed 1.5 m							
1050	30	110	25	18227	1	285	3.21
1200	30	125	33	18228	1	385	4.20
1400	30	140	46	18229	1	420	5.68
1600	30	160	60	18230	1	460	7.69
1800	30	200	76	18231	1	515	9.58
2000	30	225	94	18232	1	625	12.90
2350	30	250	130	18233	1	920	17.50
2500	30	250	150	19337	1	1010	25.87
2600	30	250	160	23971	1	1144	26.51
2800	30	250	185	23972	1	1264	30.63
3000	30	250	212	19338	1	1590	32.12

Olot filters

TECHNICAL FEATURES


		Ø D (mm)	1050	1200	1400	1600	1800	2000	2200	2350	2500	2600	2800	3000
Filtration velocity (m ³ /h/m ²)			30	30	30	30	30	30	30	30	30	30	30	30
Ø K (mm)			110	125	140	160	200	225	225	250	250	250	250	250
			DN100	DN110	DN125	DN150	DN175	DN200	DN200	DN225	DN225	DN225	DN225	DN225
FILTER BED 1.2 m	Code		07355	07356	07447	07357	07448	07358	56934	07359	19335	23969	23970	19336
	H (mm)		2380	2400	2420	2520	2570	2660	2690	2800	2850	2920	3030	2900
	F (mm)		1615	1635	1645	1690	1740	1750	1820	1870	1870	1880	1920	1880
	Vol. (l)		1735	2175	3000	4350	5450	6650	7930	9575	11700	12800	15500	18000
	Total operating weight (kg)		2600	3325	4475	6250	7500	9625	11815	13600	15500	16650	19500	22500
FILTER BED 1.5 m	Code		18227	18228	18229	18230	18231	18232	65547	18233	19337	23971	23972	19338
	H (mm)		2680	2700	2720	2820	2870	2960	2990	3100	3150	3220	3330	3200
	F (mm)		1915	1935	1945	1990	2040	2050	2120	2170	2170	2180	2220	2180
	Vol (l)		1995	2745	3590	5150	6350	7650	9070	11255	12950	14100	16900	19700
	Total operating weight (kg)		3000	3900	5300	7150	8750	11250	13130	15800	17950	19400	22600	26250
Flow rate (m ³ /h)			25	33	46	60	76	94	114	130	150	160	185	212
Filtration area (m ²)			0,86	1,13	1,54	2,01	2,54	3,14	3,80	4,34	4,90	5,31	6,16	7,07
Number of injectors			59	78	102	134	168	200	200	286	333	333	381	433
A (mm)			700	700	830	830	900	950	950	1050	1100	1160	1230	1140
B (mm)			1000	1000	900	950	920	760	750	680	600	600	650	600
C (mm)			830	840	840	870	950	950	1130	1130	1100	1200	1230	1220
L (mm)			1240	1390	1600	1810	1990	2194	2390	2550	2720	2800	3000	3220
Ø P (mm)			730	940	1080	1230	1390	1550	1860	1850	2050	2050	2200	2360
T (mm)			1220	1380	1570	1780	2000	2240	2450	2630	2750	2800	3000	3270
N (mm)			0	130	130	400	450	480	520	550	700	600	600	720
Ø X sightglass (mm)			125	250	250	250	250	250	250	250	250	250	250	250
° R			55°	45°	45°	45°	45°	45°	45°	45°	45°	45°	45°	45°
Ø J (mm)			380	380	380	380	380	380	380	600	600	600	600	600
Ø G1			2"	2"	2"	2"	75	75	75	75	75	90	110	140
Ø G2*			2"	2"	2"	2"	2"	2"	75	75	75	75	75	75

* In models Ø 1050 mm, 1200 mm and 1400 mm, this fitting is fitted on to the cover.

Construction features

of the filter according to DIN 18820

DESCRIPTION



- (1) Chemical protective gel-coat barrier isoneopenligical type CSS-UP3.

Superior hardness and resistance to the abrasion of sand and salt water. Complies with German standard KTW recommendations and certified by LVHT.

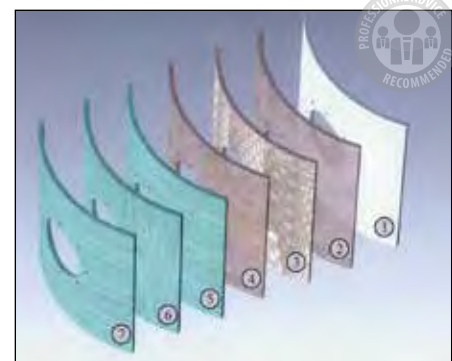
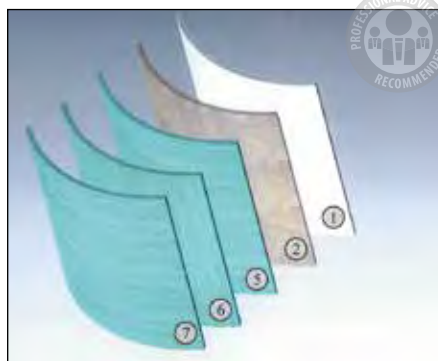
The optional vinylester layer for protection against ozone is of the CCS-PHAS class.

- (2) Polyester reinforced laminated resin with randomly orientated fibreglass filament GF-UP1type.

- Reinforced in MW areas under greater stress with an additional woven matting, alternating non-aligned (4) with aligned fibres (3).

- A set of radial bobbin layers (5) (7) on the cylindrical part and a set of polar layers (6) along the entire filter body with type GF-UP1 made with numeric control machinery. The most essential feature of these filters is their mechanical resistance which enables them to withstand greater internal pressures.

- All filters are submitted to a seasoning process at a temperature of 60°C.



Rodas filters

Ø 1050 mm and Ø 1200 mm



Ø 1050 mm
Ø 1200 mm

DESCRIPTION

General features:

- 100% resistant to corrosion unlike conventional steel filters
- Excellent relation between filter weight and its mechanical characteristics
- Maximum operating temperature 50° C
- Comply with European standards for pressure vessels 97/23/CE included in section 3 of article 3
- Hydraulic pressure test 1.5 times the maximum admissible pressure
- Resistance and thickness calculations are based on norms BS-4994 and AD Merkblatt N1

Fitted with:

- Pressure gauge panel
- Manual air vent and water purge
- Ø 400 mm lateral manhole and Ø 140 mm top port

Characteristics of internal components:

- Internal components and pipe in PVC
- PP laterals with 0.3 slots
- Bolts, nuts and washers in AISI-316
- EPDM seals and gaskets

Rodas filters

Ø 1050 mm and Ø 1200 mm

**Filter bed
depth 0.6 m**
**Ø 1050 mm
Ø 1200 mm**
**Maximum pressure:
2.5 kg/cm²**
**See the sand, gravel and
glass media loads on the
next page**

Length Ø mm	Filtration velocity m ³ /h/m ²	Outlet Ø mm	Flow rate m ³ /h	Code	Standard Pack	Standard weight in kg	Standard volume in m ³
Ø 1050 mm filters							
1900	20	75	34	05102	1	230	2.95
1900	30	90	52	05105	1	230	2.95
1900	40	110	69	05108	1	230	2.95
2300	20	110	42	11331	1	280	3.57
2300	30	125	64	11332	1	280	3.57
2300	40	140	85	11333	1	280	3.57
2500	20	110	46	24842	1	305	3.88
2500	30	125	70	24843	1	305	3.88
2500	40	140	93	24844	1	305	3.88
2700	20	110	50	11334	1	330	4.20
2700	30	125	75	11335	1	330	4.20
2700	40	140	100	11336	1	330	4.20
3000	20	110	56	22647	1	370	4.67
3000	30	140	84	22648	1	370	4.67
3000	40	160	112	22649	1	370	4.67
Ø 1200 mm filters							
1900	20	110	39	22650	1	270	3.08
1900	30	125	59	22651	1	270	3.08
1900	40	140	79	22652	1	270	3.08
2300	20	110	48	22653	1	330	3.73
2300	30	140	73	22654	1	330	3.73
2300	40	160	97	22655	1	330	3.73
2500	20	125	53	24845	1	360	4.05
2500	30	140	79	24846	1	360	4.05
2500	40	160	106	24847	1	360	4.05
2700	20	125	57	22656	1	390	4.38
2700	30	140	86	22657	1	390	4.38
2700	40	160	115	22658	1	390	4.38
3000	20	125	64	22659	1	435	4.86
3000	30	140	96	22660	1	435	4.86
3000	40	160	129	22661	1	435	4.86

BOBBIN WOUND FILTERS

Rodas filters

Ø 1050 mm and Ø 1200 mm



Filter bed
depth 0.6 m

Ø 1050 mm
Ø 1200 mm

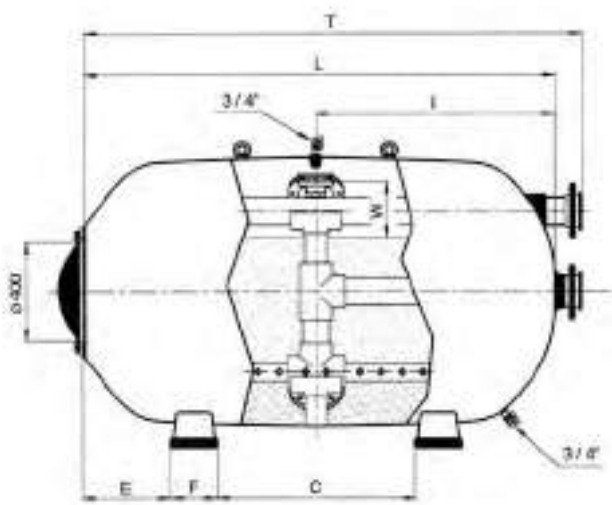
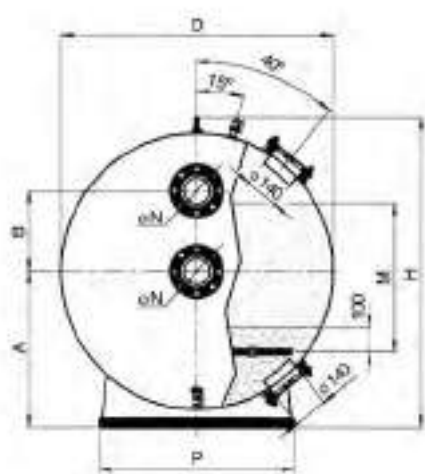
Maximum pressure:
4 kg/cm²

Length Ø mm	Filtration velocity m ³ /h/m ²	Outlet Ø mm	Flow rate m ³ /h	Code	Standard Pack	Standard weight in kg	Standard volume in m ³
Ø 1050 mm filters							
1900	20	75	34	07124	1	270	2.95
1900	30	90	52	07125	1	270	2.95
1900	40	110	69	07126	1	270	2.95
2300	20	110	42	11321	1	330	3.57
2300	30	125	64	11322	1	330	3.57
2300	40	140	85	11323	1	330	3.57
2500	20	110	46	25016	1	355	3.88
2500	30	125	70	25017	1	355	3.88
2500	40	140	93	25018	1	355	3.88
2700	20	110	50	11326	1	380	4.20
2700	30	125	75	11327	1	380	4.20
2700	40	140	100	11328	1	380	4.20
3000	20	110	56	22683	1	420	4.67
3000	30	140	84	22684	1	420	4.67
3000	40	160	112	20895	1	420	4.67
Ø 1200 mm filters							
1900	20	110	39	22685	1	310	3.08
1900	30	125	59	22686	1	310	3.08
1900	40	140	79	22687	1	310	3.08
2300	20	110	48	22688	1	375	3.73
2300	30	140	73	22689	1	375	3.73
2300	40	160	97	20897	1	375	3.73
2500	20	125	53	25019	1	410	4.05
2500	30	140	79	25020	1	410	4.05
2500	40	160	106	25021	1	410	4.05
2700	20	125	57	22690	1	440	4.38
2700	30	140	86	22691	1	440	4.38
2700	40	160	115	20898	1	440	4.38
3000	20	125	64	22692	1	480	4.86
3000	30	140	96	22693	1	480	4.86
3000	40	160	129	20899	1	480	4.86

TECHNICAL FEATURES										
Filter length (mm)	Ø 1050 filters					Ø 1200 filters				
	1900	2300	2500	2700	3000	1900	2300	2500	2700	3000
Sand load (kg)	950	1250	1525	1800	2250	1100	1425	1750	2075	2325
Gravel load (kg)	350	475	575	700	775	425	550	700	825	925
Grade 1 glass load (57011) (kg)	673	893	1087	1294	1568	789	10022	1268	1501	1682
Grade 2 glass load (57012) (kg)	220	292	355	423	512	258	334	414	490	549
Grade 2 glass load (57012) (kg)	242	321	391	465	564	284	368	456	540	605

Rodas filters \varnothing 1050 mm and \varnothing 1200 mm

TECHNICAL FEATURES



Length (mm)	Filtration velocity $m^3/h/m^2$	\varnothing N (mm)	2,5 bar		4 bar	Flow rate m^3/h	Filtration area (m^2)	Volume (l)	A (mm)	B (mm)	C (mm)	E (mm)	F (mm)	H (mm)	I (mm)	P (mm)	T (mm)	W (mm)	Total operating weight (kg)	Sand load	
			Code	Code																1-1,2 mm	0,4-0,8 mm
Diameter 1050 mm - Filter bed depth 0.6 m.																					
1900	20	75	DN65	05102	07124	34	1,72	1480	630	325	760	380	190	1260	950	800	2160	170	2530	350	950
	30	90	DN80	05105	07125	52															
	40	110	DN100	05108	07126	69															
2300	20	110	DN100	11331	11321	42	2,12	1820	630	325	1000	460	190	1260	1150	800	2560	170	3100	475	1250
	30	125	DN110	11332	11322	64															
	40	140	DN125	11333	11323	85															
2500	20	110	DN100	24842	25016	46	2,32	2000	630	325	1120	500	190	1260	1250	800	2760	170	3380	575	1525
	30	125	DN110	24843	25017	70															
	40	140	DN125	24844	25018	93															
2700	20	110	DN100	11334	11326	50	2,51	2170	630	325	1240	540	190	1260	1350	800	2960	170	3670	700	1800
	30	125	DN110	11335	11327	75															
	40	140	DN125	11336	11328	100															
3000	20	110	DN100	22647	22683	56	2,81	2430	630	325	1420	600	190	1260	1500	800	3260	170	4100	775	20250
	30	140	DN125	22648	22684	84															
	40	160	DN150	22649	20895	112															
Diameter 1200 mm - Filter bed depth 0.6 m.																					
1900	20	75	DN100	22650	22685	39	1,96	1900	725	325	760	380	200	1390	950	900	2130	225	3220	425	1100
	30	90	DN110	22651	22686	59															
	40	110	DN125	22652	22687	79															
2300	20	110	DN100	22653	22688	48	2,42	2350	725	325	1000	460	200	1390	1150	900	2530	225	3960	550	1425
	30	125	DN125	22654	22689	73															
	40	140	DN150	22655	20897	97															
2500	20	110	DN110	24845	25019	53	2,65	2580	725	325	1120	500	200	1390	1250	900	2750	225	4320	700	1750
	30	125	DN125	24846	25020	79															
	40	140	DN150	24847	25021	106															
2700	20	110	DN110	22656	22690	57	2,87	2800	725	325	1240	540	200	1390	1350	900	2950	225	4690	825	2075
	30	125	DN125	22657	22691	86															
	40	140	DN150	22658	20898	115															
3000	20	110	DN110	22659	22692	64	3,21	3140	725	325	1420	600	200	1390	1500	900	3250	225	5240	925	2325
	30	140	DN125	22660	22693	96															
	40	160	DN150	22661	20899	129															

Media recommendations - Sand = 1.4 Kg/dm³ - Gravel = 1.5 Kg/dm³

BOBBIN WOUND FILTERS

Rodas filters

Ø 1400 mm and Ø 1600 mm



**Filtration bed
0.8 and 1 m**

**Ø 1400 mm
Ø 1600 mm
Ø 1800 mm**

**Maximum pressure:
2.5 kg/cm².**

**Does not include
Valve manifold**

**Optional:
Standard American sizes**

**See the sand, gravel and
glass loads on page 849**

DESCRIPTION

General features:

- 100% resistant to corrosion unlike conventional steel filters
- Maximum operating temperature 50° C
- Comply with European standards for pressure vessels 97/23/CE included in section 3 of article 3
- Hydraulic pressure test 1.5 times the maximum admissible pressure

Fitted with:

- Pressure gauge panel
- Manual air vent and water purge
- Ø 400 mm lateral manhole

Characteristics of internal components:

- Internal components and pipe in PVC
- PP laterals with 0.3 slots
- Bolts, nuts and washers in AISI-316
- EPDM seals and gaskets.

Length Ø mm	Filtration velocity m ³ /h/m ²	Outlet Ø mm	Flow rate m ³ /h	Code	Standard Pack	Standard weight in kg	Standard volume in m ³
Ø 1400 mm filters							
Filtration bed 0.8 m							
1900	20	110	45	24848	1	340	4.84
1900	30	125	67	24849	1	340	4.84
1900	40	140	89	24850	1	340	4.84
2500	20	110	60	24854	1	435	6.23
2500	30	140	91	24855	1	435	6.23
2500	40	160	121	24856	1	435	6.23
3000	20	125	73	24860	1	530	7.44
3000	30	160	110	24861	1	530	7.44
3000	40	200	147	24862	1	530	7.44
Ø 1600 mm filters							
Filtration bed 1 m							
1900	20	110	49	22662	1	400	5.49
1900	30	140	74	22663	1	400	5.49
1900	40	160	99	22664	1	400	5.49
2500	20	140	67	24866	1	520	7.18
2500	30	160	101	24867	1	520	7.18
2500	40	200	134	24868	1	520	7.18
3000	20	140	82	22671	1	620	8.60
3000	30	160	123	22672	1	620	8.60
3000	40	200	164	22673	1	620	8.60

Rodas filters

Ø 1400 mm, Ø 1600 mm and Ø 1800 mm



Length Ø mm	Filtration velocity m ³ /h/m ²	Outlet Ø mm	Flow rate m ³ /h	Code	Standard Pack	Standard weight in kg	Standard volume in m ³
----------------	------------------------------------------------------------	----------------	--------------------------------	------	------------------	--------------------------	--------------------------------------

Ø 1800 mm filters

Filtration bed 1 m

Maximum pressure: 2.5 kg/cm²

Filtration bed 0.8 and 1 m	2500	20	125	75	24875	1	585	10.40
	2500	30	160	112	24876	1	585	10.40
Ø 1400 mm	2500	40	200	150	24877	1	585	10.40
	3000	20	140	92	24881	1	700	12.25
	3000	30	160	137	24882	1	700	12.25
Ø 1600 mm	3000	40	200	183	24883	1	700	12.25
Ø 1800 mm	3500	20	140	108	24887	1	875	14.20
	3500	30	200	162	24888	1	875	14.20
Does not include Valve manifold	3500	40	225	216	24889	1	875	14.20
	4000	20	160	125	24893	1	930	16.00
	4000	30	200	187	24894	1	930	16.00
	4000	40	225	250	24895	1	930	16.00

Ø 1400 mm filters

Filtration bed 0.8 m

Maximum pressure: 4 kg/cm²

**Optional:
Standard American sizes**

**See the sand, gravel and
glass media loads on the
next page**

	1900	20	110	45	25022	1	385	4.84
	1900	30	125	67	25023	1	385	4.84
	1900	40	140	89	25024	1	385	4.84
	2500	20	110	60	25028	1	485	6.23
	2500	30	140	91	25029	1	485	6.23
	2500	40	160	121	25030	1	485	6.23
	3000	20	125	73	25034	1	585	7.44
	3000	30	160	110	25035	1	585	7.44
	3000	40	200	147	25036	1	585	7.44

BOBBIN WOUND FILTERS

Rodas filters

Ø 1400 mm, Ø 1600 mm and Ø 1800 mm



**Filtration bed
0.8 and 1 m**

**Ø 1400 mm
Ø 1600 mm
Ø 1800 mm**

**Maximum pressure:
4 kg/cm².**

**Does not include
Valve manifold**

**Optional:
Standard American sizes**

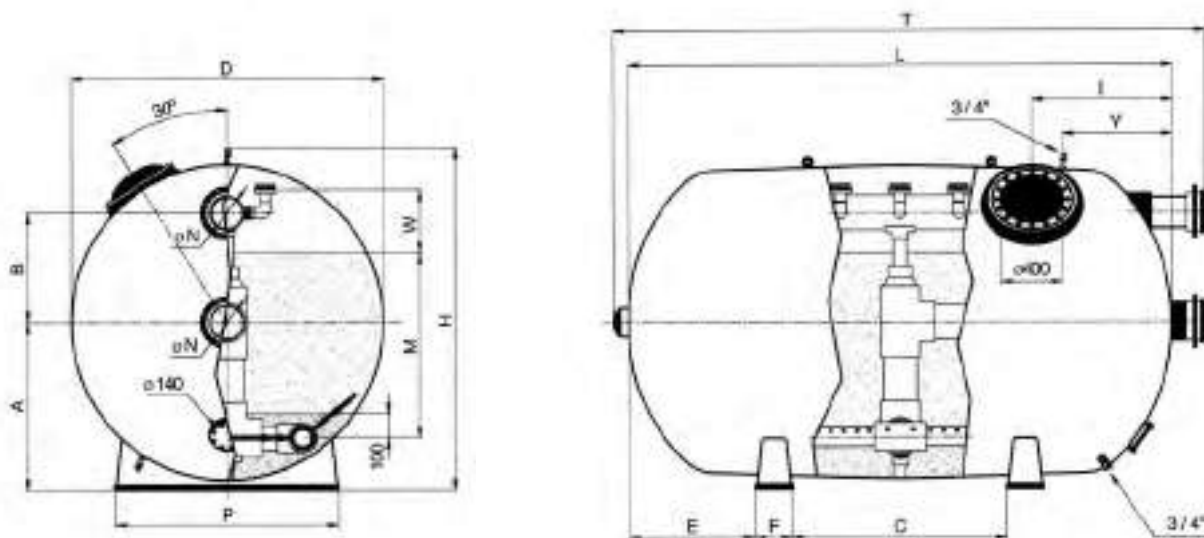
Length Ø mm	Filtration velocity m ³ /h/m ²	Outlet Ø mm	Flow rate m ³ /h	Code	Standard Pack	Standard weight in kg	Standard volume in m ³
Ø 1600 mm filters							
Filtration bed 1 m							
1900	20	110	49	22694	1	450	5.49
1900	30	140	74	22695	1	450	5.49
1900	40	160	99	20900	1	450	5.49
2500	20	140	67	25040	1	570	7.18
2500	30	160	101	25041	1	570	7.18
2500	40	200	134	25042	1	570	7.18
3000	20	140	82	22700	1	685	8.60
3000	30	160	123	22701	1	685	8.60
3000	40	200	164	20903	1	685	8.60
Ø 1800 mm filters							
Filtration bed 1 m							
2500	20	125	75	25049	1	680	10.40
2500	30	160	112	25050	1	680	10.40
2500	40	200	150	25051	1	680	10.40
3000	20	140	92	25055	1	805	12.25
3000	30	160	137	25056	1	805	12.25
3000	40	200	183	25057	1	805	12.25
3500	20	140	108	25061	1	930	14.20
3500	30	200	162	25062	1	930	14.20
3500	40	225	216	25063	1	930	14.20
4000	20	160	125	25067	1	1055	16.00
4000	30	200	187	25068	1	1055	16.00
4000	40	225	250	25069	1	1055	16.00

TECHNICAL FEATURES

Filter length (mm)	Ø 1400 filters			Ø 1600 filters			Ø 1800 filters			
	1900	2500	3000	1900	2500	3000	2500	3000	3500	4000
Sand load (kg)	2100	2825	3450	2850	3875	4750	4850	5925	7000	8075
Gravel load (kg)	575	800	1000	600	850	1050	975	1225	1475	1700
Grade 1 glass load (57011) (kg)	1389	1882	2310	1796	2458	3018	3033	3722	4411	5087
Grade 2 glass load (57012) (kg)	454	615	754	586	803	986	991	1216	1441	1662
Grade 2 glass load (57012) (kg)	500	677	831	646	884	1085	1091	1338	1586	1830

Rodas filters \varnothing 1400 mm, \varnothing 1600 mm and \varnothing 1800 mm

TECHNICAL FEATURES



Length (mm)	Filtration velocity (m ³ /h/m ²)	Ø N (mm)	2,5 bar		4 bar		Flow rate (m ³ /h)	Filtration area (m ²)	Volume (l)	A (mm)	B (mm)	C (mm)	E (mm)	F (mm)	H (mm)	I (mm)	P (mm)	T (mm)	W (mm)	Y (mm)	Total operating weight (kg)	Sand load	
			Code	Code	1 - 1.2 mm	0.4 - 0.8 mm																	
Diameter 1400 mm - Filter bed depth 0.8-1.2 m																							
1900	20	110	DN100	24848	25022	45	2.23	2530	810	390	720	380	210	1600	820	1080	2160	220	1380	4250	575	2100	
	30	125	DN110	24849	25023	67																	
	40	140	DN125	24850	25024	89																	
2500	20	110	DN100	24854	25028	60	3.02	3460	810	390	1080	500	210	1600	820	1080	2780	220	1380	5740	800	2825	
	30	140	DN125	24855	25029	91																	
	40	160	DN150	24856	25030	121																	
3000	20	125	DN110	24860	25034	73	3.67	4230	810	390	1380	600	210	1600	820	1080	3320	220	1380	6990	1000	3450	
	30	160	DN150	24861	25035	110																	
	40	200	DN175	24862	25036	147																	
Diameter 1600 mm - Filter bed depth 1-1.2 m																							
1900	20	110	DN100	22662	22694	49	2.47	3220	925	475	470	475	240	1830	800	1230	2220	250	1380	5420	600	2850	
	30	140	DN125	22663	22695	74																	
	40	160	DN150	22664	20900	99																	
2500	20	140	DN125	24866	25040	67	3.36	4430	925	475	1020	500	240	1830	800	1230	2820	250	1380	7400	850	3875	
	30	160	DN150	24867	25041	101																	
	40	200	DN175	24868	25042	134																	
3000	20	140	DN125	22671	22700	82	4.1	5430	925	475	1320	600	240	1830	800	1230	3360	250	1380	9020	1050	4750	
	30	160	DN150	22672	22701	123																	
	40	200	DN175	22673	20903	164																	
Diameter 1800 mm - Filter bed depth 1-1.2 m																							
2500	20	125	DN110	24875	25049	75	3.74	5530	1040	550	1020	380	270	2050	870	1380	2820	350	1250	9170	975	4850	
	30	160	DN150	24876	25050	112																	
	40	200	DN175	24877	25051	150																	
3000	20	140	DN125	24881	25055	92	4.58	6800	1040	550	1320	460	270	2050	870	1380	3320	350	1500	11230	1225	5925	
	30	160	DN150	24882	25056	137																	
	40	200	DN175	24883	25057	183																	
3500	20	140	DN125	24887	25061	108	5.41	8070	1040	550	1620	500	270	2050	870	1380	3850	350	1750	13290	1475	7000	
	30	200	DN175	24888	25062	162																	
	40	225	DN200	24889	25063	216																	
4000	20	160	DN150	24893	25067	125	6.25	9340	1040	550	1920	540	270	2050	870	1380	4350	350	2000	15350	1700	8075	
	30	200	DN175	24894	25068	187																	
	40	225	DN200	24895	25069	250																	

Media recommendations - Sand = 1.4 Kg/dm³ - Gravel = 1.5 Kg/dm³

BOBBIN WOUND FILTERS

Rodas filters

Ø 2000 mm and Ø 2350 mm



Filtration bed
1 and 1.2 m

Ø 2000 mm
Ø 2350 mm

Does not include
Valve manifold

Optional:
Standard American sizes

See the sand, gravel and
glass loads on page 853

DESCRIPTION

General features:

- 100% resistant to corrosion unlike conventional steel filters
- Maximum operating temperature 50° C
- Comply with European standards for pressure vessels 97/23/CE included in section 3 of article 3
- Hydraulic pressure test 1.5 times the maximum admissible pressure

Fitted with:

- Pressure gauge panel
- Manual air vent and water purge
- Ø 400 mm lateral manhole

Characteristics of internal components:

- Internal components and pipe in PVC
- PP laterals with 0.3 slots
- Bolts, nuts and washers in AISI-316
- EPDM seals and gaskets.

Length Ø mm	Filtration velocity m ³ /h/m ²	Outlet Ø mm	Flow rate m ³ /h	Code	Standard Pack	Standard weight in kg	Standard volume in m ³
Ø 2000 mm filters							
Maximum pressure: 2.5 kg/cm²							
2500	20	140	87	05103	1	650	13.20
2500	30	160	130	05106	1	650	13.20
2500	40	200	174	05109	1	650	13.20
3000	20	140	106	24899	1	775	15.65
3000	30	160	159	24900	1	775	15.65
3000	40	200	212	24901	1	775	15.65
3500	20	160	125	05104	1	900	18.10
3500	30	200	187	05107	1	900	18.10
3500	40	225	250	05110	1	900	18.10
4000	20	160	144	24908	1	1025	20.55
4000	30	200	216	24909	1	1025	20.55
4000	40	225	288	24910	1	1025	20.55
4500	20	200	163	24914	1	1150	23.00
4500	30	225	245	24915	1	1150	23.00
4500	40	250	326	24916	1	1150	23.00

Rodas filters

Ø 2000 mm and Ø 2350 mm

**Filtration bed
1 and 1.2 m**
**Ø 2000 mm
Ø 2350 mm**
**Does not include
Valve manifold**
**Optional:
Standard American sizes**
**See the sand, gravel and
glass media loads on the
next page**

Length Ø mm	Filtration velocity m ³ /h/m ²	Outlet Ø mm	Flow rate m ³ /h	Code	Standard Pack	Standard weight in kg	Standard volume in m ³
Ø 2350 mm filters							
Maximum pressure: 2.5 kg/cm²							
3000	20	160	119	24917	1	1350	20.25
3000	30	200	178	24918	1	1350	20.25
3000	40	225	238	24919	1	1350	20.25
3500	20	160	141	17120	1	1500	23.00
3500	30	200	212	16696	1	1500	23.00
3500	40	225	282	17121	1	1500	23.00
4000	20	200	163	24926	1	1650	25.75
4000	30	225	245	24927	1	1650	25.75
4000	40	250	327	24928	1	1650	25.75
4500	20	200	186	22674	1	1800	28.50
4500	30	225	279	22675	1	1800	28.50
4500	40	250	371	22676	1	1800	28.50
5000	20	200	208	24935	1	1950	31.25
5000	30	250	312	24936	1	1950	31.25
5000	40	350	416	24937	1	1950	31.25

Ø 2000 mm filters
Maximum pressure: 4 kg/cm²

2500	20	140	87	07127	1	795	13.20
2500	30	160	130	07128	1	795	13.20
2500	40	200	174	07129	1	795	13.20
3000	20	140	106	25073	1	945	15.65
3000	30	160	159	25074	1	945	15.65
3000	40	200	212	25075	1	945	15.65
3500	20	160	125	07130	1	1100	18.10
3500	30	200	187	07131	1	1100	18.10
3500	40	225	250	07132	1	1100	18.10
4000	20	160	144	25082	1	1260	20.55
4000	30	200	216	25083	1	1260	20.55
4000	40	225	288	25084	1	1260	20.55
4500	20	200	163	25088	1	1420	23.00
4500	30	225	245	25089	1	1420	23.00
4500	40	250	326	25090	1	1420	23.00

BOBBIN WOUND FILTERS

Rodas filters

Ø 2000 mm and Ø 2350 mm



**Filtration bed
1 and 1.2 m**

**Ø 2000 mm
Ø 2350 mm**

**Does not include
Valve manifold**

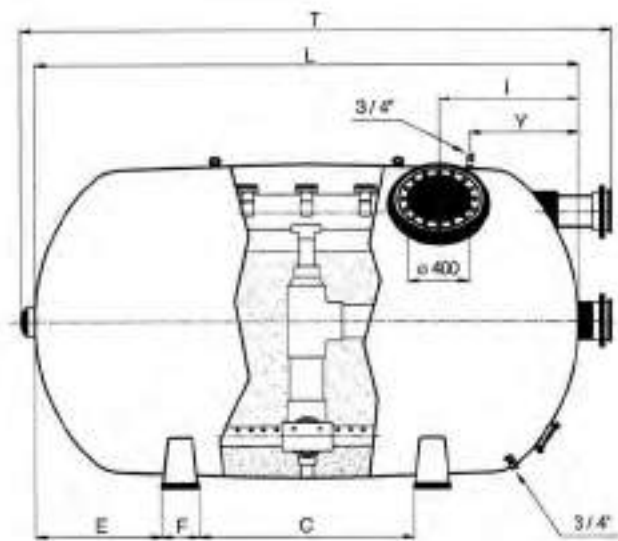
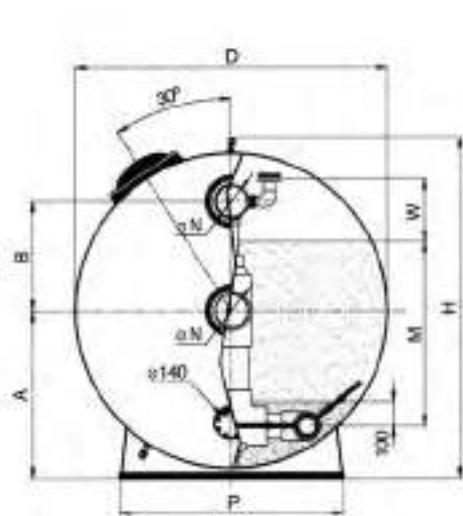
**Optional:
Standard American sizes**

	Length Ø mm	Filtration velocity m ³ /h/m ²	Outlet Ø mm	Flow rate m ³ /h	Code	Standard Pack	Standard weight in kg	Standard volume in m ³
Ø 2350 mm filters								
Maximum pressure: 4 kg/cm²								
	3000	20	160	119	25091	1	1150	20.25
	3000	30	200	178	25092	1	1150	20.25
	3000	40	225	238	25093	1	1150	20.25
	3500	20	160	141	22702	1	1300	23.00
	3500	30	200	212	22703	1	1300	23.00
	3500	40	225	282	22704	1	1300	23.00
	4000	20	200	163	25100	1	1450	25.75
	4000	30	225	245	25101	1	1450	25.75
	4000	40	250	327	25102	1	1450	25.75
	4500	20	200	186	22705	1	1600	28.50
	4500	30	225	279	22706	1	1600	28.50
	4500	40	250	371	22707	1	1600	28.50
	5000	20	200	208	25109	1	1750	31.25
	5000	30	250	312	25110	1	1750	31.25
	5000	40	350	416	25111	1	1750	31.25

TECHNICAL FEATURES										
Filter length (mm)	Ø 2000 filters					Ø 2350 filters				
	2500	3000	3500	4000	4500	3000	3500	4000	4500	5000
Sand load (kg)	6575	8025	9475	10925	12375	9300	11050	12800	14525	16250
Gravel load (kg)	1050	1300	1550	1800	2075	2575	3125	3650	4200	4750
Grade 1 glass load (57011) (kg)	3976	4862	5748	6634	7533	6166	7359	8540	9720	10900
Grade 2 glass load (57012) (kg)	1299	1588	1877	2167	2460	2014	2404	2789	3175	3560
Grade 3 glass load (57013) (kg)	1430	1748	2067	2386	2709	2218	2647	3071	3495	3920

Rodas filters \varnothing 2000 mm and \varnothing 2350 mm

TECHNICAL FEATURES



FILTRATION

Length (mm)	Filtration velocity $m^3/h/m^2$	\varnothing N (mm)	2.5 bar		4 bar		Flow rate m^3/h	Filtration area (m^2)	Volume (l)	A (mm)	B (mm)	*C (mm)	E (mm)	F (mm)	H (mm)	I (mm)	P (mm)	T (mm)	W (mm)	Y (mm)	Total operating weight (kg)	Sand load	
			Code	Code	Granulometry 1-1.2 mm	Granulometry 0.4-0.8 mm																	
Diameter 2000 mm - Filter bed depth 1-1.2 m																							
2500	20	140	DNI25	05103	07127	87	4.34	6900	1090	710	500	500	500	2220	925	1470	2820	410	1250	11300	1050	6575	
	30	160	DNI50	05106	07128	130															M=1.2 m	M=1.2 m	
	40	200	DNI75	05109	07129	174																	
3000	20	140	DNI25	24899	25073	106	5.3	8470	1090	710	810	600	500	2220	925	1470	3320	410	1500	13790	1300	8025	
	30	160	DNI50	24900	25074	159															M=1.2 m	M=1.2 m	
	40	200	DNI75	24901	25075	212																	
3500	20	160	DNI50	05104	07130	125	6.25	10040	1090	710	1070	725	500	2220	925	1470	3850	410	1750	16280	1550	9475	
	30	200	DNI75	05107	07131	187															M=1.2 m	M=1.2 m	
	40	225	DN200	05110	07132	250																	
4000	20	160	DNI50	24908	25082	144	7.21	11600	1090	710	650	600	500	2220	925	1470	4350	410	2000	18780	1800	10925	
	30	200	DNI75	24909	25083	216															M=1.2 m	M=1.2 m	
	40	225	DN200	24910	25084	288																	
4500	20	200	DNI75	24914	25088	163	8.16	13180	1090	710	795	600	500	2220	925	1470	4880	410	2250	21380	2075	12375	
	30	225	DN200	24915	25089	245															M=1.2 m	M=1.2 m	
	40	250	DN225	24916	25090	326																	
Diameter 2350 mm - Filter bed depth 1-1.2 m																							
3000	20	160	DNI50	24917	25091	119	5.94	11130	1270	710	800	600	500	2560	925	1740	3350	500	1500	18300	2575	9300	
	30	200	DNI75	24918	25092	178															M=1.2 m	M=1.2 m	
	40	225	DN200	24919	25093	238																	
3500	20	160	DNI50	17120	22702	141	7.06	13300	1270	710	1100	700	500	2560	925	1740	3850	500	1750	21790	3125	11050	
	30	200	DNI75	16696	22703	212															M=1.2 m	M=1.2 m	
	40	225	DN200	17121	22704	282																	
4000	20	200	DNI75	24926	25100	163	8.17	15470	1270	710	650	600	500	2560	925	1740	4380	500	2000	25280	3650	12800	
	30	225	DN200	24927	25101	245															M=1.2 m	M=1.2 m	
	40	250	DN225	24928	25102	327																	
4500	20	200	DNI75	22674	22705	186	9.28	17640	1270	710	820	700	500	2560	925	1740	4880	500	2250	28880	4200	14525	
	30	225	DN200	22675	22706	279															M=1.2 m	M=1.2 m	
	40	250	DN225	22676	22707	371																	
5000	20	200	DNI75	24935	25109	208	10.4	19800	1270	710	600	600	500	2560	925	1740	5440	500	2500	32380	4750	16250	
	30	250	DN225	24936	25110	312															M=1.2 m	M=1.2 m	
	40	315	DN250	24937	25111	416																	

Media recommendations : Hydroanthracite = 0.8 Kg/dm³ - Sand = 1.4 Kg/dm³ - Gravel = 1.5 Kg/dm³

*With lengths (dimension L) of 4000 mm or more, an additional central support is provided.

Rodas filters Ø 2500 mm



Filtration bed
1 and 1.2 m

Ø 2500 mm

Does not include
Valve manifold

Optional:
Standard American sizes

LARGE FILTERS OF
MORE THAN 3000 mm
WILL BE SHIPPED BY
SPECIAL DELIVERY. ASK
YOUR DEALER ABOUT
ADDITIONAL COSTS.

DESCRIPTION

General features:

- 100% resistant to corrosion unlike conventional steel filters
- Maximum operating temperature 50° C
- Comply with European standards for pressure vessels 97/23/CE included in section 3 of article 3
- Hydraulic pressure test 1.5 times the maximum admissible pressure

Fitted with:

- Pressure gauge panel
- Manual air vent and water purge
- Ø 400 mm lateral manhole

Characteristics of internal components:

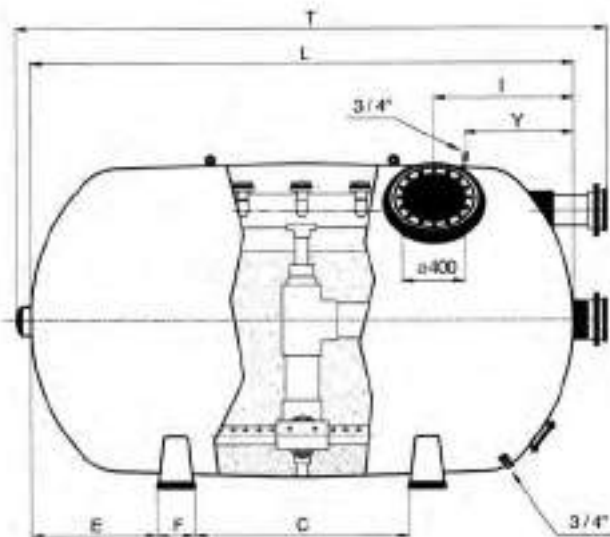
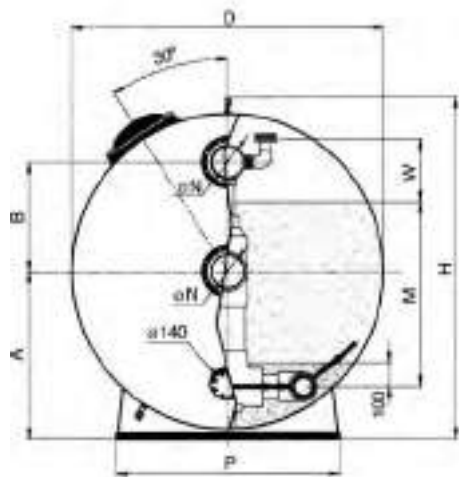
- Internal components and pipe in PVC
- PP laterals with 0.3 slots
- Bolts, nuts and washers in AISI-316
- EPDM seals and gaskets.

Length Ø mm	Filtration velocity m ³ /h/m ²	Outlet Ø mm	Flow rate m ³ /h	Code	Standard Pack	Standard weight in kg	Standard volume in m ³
Ø 2500 mm filters							
Maximum pressure: 2,5 kg/cm²							
3500	20	160	149	24938	1	1285	28.00
3500	30	200	223	24939	1	1285	28.00
3500	40	225	297	24940	1	1285	28.00
4000	20	200	172	22677	1	1450	31.80
4000	30	225	258	22678	1	1450	31.80
4000	40	250	345	22679	1	1450	31.80
4500	20	200	196	24947	1	1615	35.55
4500	30	250	294	24948	1	1615	35.55
4500	40	315	392	24949	1	1615	35.55
5000	20	200	220	22680	1	1780	39.30
5000	30	250	329	22681	1	1780	39.30
5000	40	315	439	22682	1	1780	39.30

Ø 2500 mm filters							
Maximum pressure: 4 kg/cm²							
3500	20	160	149	25112	1	1505	28.00
3500	30	200	223	25113	1	1505	28.00
3500	40	225	297	25114	1	1505	28.00
4000	20	200	172	22708	1	1670	31.80
4000	30	225	258	22709	1	1670	31.80
4000	40	250	345	22710	1	1670	31.80
4500	20	200	196	25121	1	1835	35.55
4500	30	250	294	25122	1	1835	35.55
4500	40	315	392	25123	1	1835	35.55
5000	20	200	220	22711	1	2000	39.30
5000	30	250	329	22712	1	2000	39.30
5000	40	315	439	22713	1	2000	39.30

Rodas filters \varnothing 2500 mm

TECHNICAL FEATURES



Length (mm)	Filtering velocity (m ³ /h/m ²)	\varnothing N (mm)	2,5 bar	4 bar	Flow rate m ³ /h	Filtration area (m ²)	Volume (l)	A (mm)	B (mm)	*C (mm)	E (mm)	F (mm)	H (mm)	I (mm)	P (mm)	T (mm)	W (mm)	Y (mm)	Total operating weight (kg)	Sand load		
			Code	Code																1 - 1.2 mm	0.4 - 0.8 mm	
Diameter 2500 mm - Filter bed depth 1-1.2 m																						
3500	20	160	DN150	24938	25112	149	7.34	14920	1360	710	960	770	500	2710	1300	1850	3850	500	1750	24320	3175	11675
	30	200	DN175	24939	25113	223															M=1,2	M=1,2
	40	225	DN200	24940	25114	297															m	m
4000	20	200	DN175	22677	22708	172	8.62	17380	1360	710	500	750	500	2710	1300	1850	4380	500	2000	28250	3725	13500
	30	225	DN200	22678	22709	258															M=1,2	M=1,2
	40	250	DN225	22679	22710	345															m	m
4500	20	200	DN175	24947	25121	196	9.80	19830	1360	710	750	750	500	2710	1300	1850	4940	500	2250	32300	4300	15350
	30	250	DN225	24948	25122	294															M=1,2	M=1,2
	40	315	DN250	24949	25123	392															m	m
5000	20	200	DN175	22680	22711	220	10.98	22300	1360	710	500	750	500	2710	1300	1850	5440	500	2500	36230	4850	17200
	30	250	DN225	22681	22712	329															M=1,2	M=1,2
	40	315	DN250	22682	22713	439															m	m

Media recommendations - Sand = 1.4 Kg/dm³ - Gravel = 1.5 Kg/dm³
 *With lengths (dimension L) of 4000 mm or more, an additional central support is provided.

Filter length (mm)	\varnothing 2500 filters			
	3500	4000	4500	5000
Sand load (kg)	11675	13500	15350	17200
Gravel load (kg)	3175	3725	4300	4850
Grade 1 glass load (57011) (kg)	7713	8945	10203	11448
Grade 2 glass load (57012) (kg)	2519	2922	3333	3739
Grade 3 glass load (57013) (kg)	2774	3217	3669	4117

VALVE MANIFOLDS

Valve manifold coding



In order to facilitate sales and prices, a new code system for filter manifolds has been introduced to Catalogues. It consists in assigning a code to each model of manifold as shown in these tables. There is a total of 60 codes and subsequently, in order to determine exactly which filter is being referred to, a system of variations is used, given that the retail price does not vary.

To work out the variation the type and diameter of the filter must be identified, as the output diameters match the manifold code.

For manifolds with more than one filter please consult.



All manifolds are supplied disassembled. All manifolds have to be supported correctly (See brackets on page 860)



Assembly with control box
See page 859



A: Electric driven without safety block
B: Pneumatic driven spring return

Manual or automatically driven valve manifolds made of PVC (PN-10) with flanges for connection to filters as per DIN-2501 standard.

PVC butterfly valves and ball valves.

Automatic valve manifolds, driven either by electric power or pneumatically, for carrying out filtration, backwashing, rinsing and shut down of the filters. Fitted with two valves without safety blocks (electric) or dual action (pneumatic), and the remaining valves with safety blocks (electric) or spring return (pneumatic), to avoid accidentally emptying a pool.

* Ask Cepex Catalogue for automatic ball valves and butterfly valves codes.

TABLE SHOWING FILTER TYPE	
Code	Description
BB	Berlin bobbin wound filter - 0.6 m filter bed (FB)
BS	Praga bobbin wound filter
BA	Oslo bobbin wound filter
OL	Olot bobbin wound filter 1.2 m and 1.5 m filter bed
AM	Ampuria bobbin wound filter 1.2 m and 1.5 m filter bed
HZ	Rodas bobbin wound filter
EU	Europa laminated filter
VP	Vesubio laminated filter - 0.6 m filter bed
VI	Vic bobbin wound filter
VO	Vesubio laminated filter - 1 m filter bed

TABLE SHOWING FILTER DIAMETER	
Code	Diameter
10	1050
12	1200
14	1400
16	1600
18	1800
20	2000
23	2350
25	2500
26	2600
28	2800
30	3000

Examples:

	Code	Var.	Mod.
Manual manifold 4 Val. for Praga filter D.2000-140	1.- 00767	BS	20
Electric manifold 5 Val. for Praga filter D.1800-125	2.- 00785E	BS	18
Manual manifold 5 Val. for Olot filter D.1200-125	3.- 00785	OL	12
Pneumatic manifold 5 Val. for Vic filter D.2350-160	4.- 09177N	VI	23

Valve manifold for one filter



Optional features for manual manifolds:
Standard American sizes

	Code	Standard Pack	Standard weight in kg	Standard volume in m ³
Manual manifolds - 4-way valve				
D. 63	00747	1	-	-
D. 75	00749	1	-	-
D. 90	00754	1	-	-
D. 110	00758	1	-	-
D. 125	00763	1	-	-
D. 140	00767	1	-	-
D. 160	09205	1	-	-
D. 200	09160	1	-	-
D. 225	09164	1	-	-
D. 250	26244	1	-	-
Manual manifolds - 5-way valve				
D. 63	00769	1	-	-
D. 75	00771	1	-	-
D. 90	00776	1	-	-
D. 110	00780	1	-	-
D. 125	00785	1	-	-
D. 140	00789	1	-	-
D. 160	09177	1	-	-
D. 200	09180	1	-	-
D. 225	09185	1	-	-
D. 250	19133	1	-	-
Electric manifolds - 4-way valve				
D. 63	00747E	1	-	-
D. 75	00749E	1	-	-
D. 90	00754E	1	-	-
D. 110	00758E	1	-	-
D. 125	00763E	1	-	-
D. 140	00767E	1	-	-
D. 160	09205E	1	-	-
D. 200	09160E	1	-	-
D. 225	09164E	1	-	-
D. 250	26244E	1	-	-
Electric manifolds - 5-way valve				
D. 63	00769E	1	-	-
D. 75	00771E	1	-	-
D. 90	00776E	1	-	-
D. 110	00780E	1	-	-
D. 125	00785E	1	-	-
D. 140	00789E	1	-	-
D. 160	09177E	1	-	-
D. 200	09180E	1	-	-
D. 225	09185E	1	-	-
D. 250	19133E	1	-	-
Pneumatic manifolds - 4-way valve				
D. 63	00747N	1	-	-
D. 75	00749N	1	-	-
D. 90	00754N	1	-	-
D. 110	00758N	1	-	-
D. 125	00763N	1	-	-
D. 140	00767N	1	-	-
D. 160	09205N	1	-	-
D. 200	09160N	1	-	-
D. 225	09164N	1	-	-
D. 250	26244N	1	-	-
Pneumatic manifolds - 5-way valve				
D. 63	00769N	1	-	-
D. 75	00771N	1	-	-
D. 90	00776N	1	-	-
D. 110	00780N	1	-	-
D. 125	00785N	1	-	-
D. 140	00789N	1	-	-
D. 160	09177N	1	-	-
D. 200	09180N	1	-	-
D. 225	09185N	1	-	-
D. 250	19133N	1	-	-

Valve manifold Control Panel



Overhead PVC pressure pipes should be mounted on supports. The distance between them should be as shown in the table.

Distance between supports in m (according to UNE 53.399).

DESCRIPTION

Control panel for electrically or pneumatically actuated manifolds of 4 or 5 valves. For automatic filtration, backwashing, rinsing and shut-down operations. Fitted with automatic programming installation that enables the execution of all the required operations and can be personalized to suit your requirements. Quick and easy installation with numbered terminal connection strip. Voltage 230 V single phase. Does not include valve manifold.

	Code	Standard Pack	Standard weight in kg	Standard volume in m ³
For 4 valves				
2 valves without block, 2 valves with block. Electric actuator	41005	1	6	0.04
2 valves double acting, 2 valves spring return. Pneumatic actuator	41009	1	6	0.04
For 5 valves				
2 valves without block, 3 valves with block. Electric actuator	41007	1	6	0.04
2 valves double acting, 3 valves spring return. Pneumatic actuator	41011	1	6	0.04

DISTANCE BETWEEN PVC VALVE MANIFOLD SUPPORTS

Ø mm	Rated pressure			
	0.4 MPa	0.6 MPa	1.0 MPa	1.6 MPa
10	-	-	-	0.3
12	-	-	-	0.3
16	-	-	-	0.3
20	-	-	-	0.4
25	-	-	0.5	0.5
32	-	-	0.6	0.6
40	-	0.8	0.8	0.8
50	-	0.9	0.9	0.9
63	1.0	1.0	1.0	1.0
75	1.0	1.0	1.2	1.2
90	1.0	1.2	1.3	1.4
110	1.2	1.3	1.5	1.7
125	1.3	1.5	1.7	1.9
140	1.3	1.6	1.8	2.0
160	1.5	1.7	2.0	2.2
180	1.6	1.8	2.1	2.4
200	1.7	1.9	2.3	2.6
225	1.8	2.1	2.5	2.9
250	1.8	2.2	2.6	3.0
280	2.0	2.3	2.8	3.2
315	2.1	2.5	3.0	3.5
355	2.2	2.7	3.2	3.8
400	2.4	2.8	3.4	4.0
450	2.5	3.0	3.7	4.3
500	2.7	3.2	3.9	4.6

FACTORY PROGRAMMED AUTOMATION AS FOLLOWS

	Actuator types	
	Electric	Pneumatic
For 4 valves	2 valves without block	2 double acting valves
	2 valves with block	2 spring return valves
	Program A	Program C
	Code 41005	Code 41009
	4 valves without block	4 valves without block
	Program A	Program A
For 5 valves	Code 41006	Code 41010
	2 valves without block	2 double acting valves
	3 valves with block	4 spring return valves
	Program B	Program D
	Code 41007	Code 41011
	5 valves without block	5 double acting valves
Program B	Program B	
Code 41008	Code 41012	

These distances are based on a maximum temperature of 20 °C.

In the case of higher temperatures, the values shown should be multiplied by the following reduction coefficients:

- Between 20 and 30 °C, coefficient of 0.9.
- Between 35 and 45 °C, coefficient of 0.85.

In vertical installations, the distance between supports may be as shown in the table multiplied by 1.3.

Valve manifold brackets



DESCRIPTION

Easy assembly valve manifold brackets from Ø 63 mm for all filter types. Totally adjustable in height, consisting of vertical support pipes in zinc-plated steel, together with box of accessories.

	Code	Standard Pack	Standard weight in kg	Standard volume in m ³
Zinc-plated steel				
Height 1.85 m	28690	1	3.8	-
Height 2.30 m	28691	1	4.5	-
Height 3.0 m	28692	1	5.9	-
Box of accessories consisting of: 2 support brackets with anti-vibration clamps, and fixing bolts and accessories				
For Ø 63 mm pipe	42598	1	1.5	0.011
For Ø 75 mm pipe	28693	1	1.5	0.011
For Ø 90 mm pipe	28694	1	1.5	0.011
For Ø 110 mm pipe	28695	1	1.5	0.011
For Ø 125 mm pipe	28696	1	1.5	0.011
For Ø 140 mm pipe	28697	1	1.5	0.011
For Ø 160 mm pipe	28698	1	2.5	0.011
For Ø 200 mm pipe	28699	1	2.5	0.011
For Ø 225 mm pipe	28700	1	2.5	0.011
Accessory box for additional supports:				
Fixing plug and protection cap	28701	1	-	-

Wall brackets for valve manifold



DESCRIPTION

For all filter type from Ø 63 mm pipe onwards. Consisting in zinc-plated steel support bracket with anti-vibration clamp and fixing screws. Supply: 1 vertical support with manifold bracket.

	Code	Standard Pack	Standard weight in kg	Standard volume in m ³
For Ø 63 mm pipe	35585	1	1.0	0.007
For Ø 75 mm pipe	00855	1	1.2	0.007
For Ø 90 mm pipe	00856	1	1.3	0.007
For Ø 110 mm pipe	00857	1	1.4	0.007
For Ø 125 mm pipe	00858	1	1.4	0.007
For Ø 140 mm pipe	00859	1	1.5	0.007
For Ø 160 mm pipe	00860	1	1.6	0.007
For Ø 200 mm pipe	00861	1	1.7	0.007
For Ø 225 mm pipe	00862	1	1.7	0.007
For Ø 250 mm pipe	36120	1	2.0	0.011
For Ø 315 mm pipe	36602	1	2.4	0.011

Air vents



DESCRIPTION

Standard Air vent

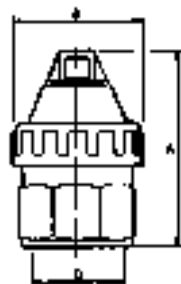
In cast Aluminium painted yellow. Inner ball in PVC.

Double effect air vent

Body in PP and fibreglass. Maximum pressure 16 Kg/cm²

Seal in nitrile rubber.

	Code	Standard Pack	Standard weight in kg	Standard volume in m ³
Standard Air vent				
Ø 1"	04143	12	2.3	0.009
Ø 1½"	04144	12	4.0	0.009
Ø 2"	04145	12	4.5	0.018
Double effect air vent				
Ø 1"	49381	1	0.3	0.001
Ø 2" U-bend outlet with PVC elbow	49382	1	0.7	0.001



TECHNICAL FEATURES			
Code	D	A (mm)	B (mm)
04143	1"	74	44
04144	1½"	105	69
04145	2"	105	69

FILTRATION MEDIA & ACCESSORIES

OC-1 filtration media



DESCRIPTION

OC-1 filtration load: The future of pool filtration

OC refers to Open Cell and OC-1 is a mechanical filter that uses open-cell filtration technology to filter water with a high quality, increasing the water saving and energy potential. The filtration media is an extruded plastic compound comprising a base of High Density Polyethylene with Calcium Carbonate

Saves water: exclusive filtration method that reduces water consumption by more than 40%

Saves power: lets you use a smaller pump or lower the power to get the same flow you would with traditional filtration media.

Saves time: OC-1 reduces backwash frequency to less than a third of traditional methods, meaning more leisure time for you.

The OC-1 media has been tested in accordance with current European standard EN16713-1.

	Code	Standard Pack	Standard weight in kg	Standard volume in m ³
OC-1 50L filtration media bag	69752	1	9.0	0.05
OC-1 20L filtration media bag	69753	1	3.6	0.02

Active Clear Glass



DESCRIPTION

AstralPool launches the new activated glass filter media Active Clear Glass.

The new product has the following benefits:

- More efficient and environmentally friendly filtration.
- Greater filtration capacity.
- Water and energy savings.
- Cleaner filter bed as bacteria does not remain trapped and fewer chemical products are needed.

	Code	Standard Pack	Standard weight in kg	Standard volume in m ³
Granulometry				
0.5 mm - 1.0 mm	57011	1	25.0	0.667
1.0 mm - 3.0 mm	57012	1	25.0	0.667
3.0 mm - 7.0 mm	57013	1	25.0	0.667

	Code	Range	% Volume of the filter bed	
			Filters D < 900 mm	Filters D > 900 mm
Range1	57011	0.5 - 1.0 mm	0.8	0.6
Range2	57012	1.0 - 3.0 mm	0	0.2
Range3	57013	3,0 - 7,0 mm	0.2	0.2



Silex

DESCRIPTION

Please ask for a quotation for other grades. 25 Kg bag.

	Code	Standard Pack	Standard weight in kg	Standard volume in m ³
Granulometry 0.4 - 0.8 mm	00596	1	25	0.667

Gravel

DESCRIPTION

Please ask for a quotation for other grades. 25 Kg bag.

	Code	Standard Pack	Standard weight in kg	Standard volume in m ³
Granulometry 1 - 2 mm	10697	1	25	0.667
Granulometry 3 - 5 mm	11346	1	25	0.667

Anthracite

DESCRIPTION

Please ask for a quotation for other grades. 50 Kg bag.

	Code	Standard Pack	Standard weight in kg	Standard volume in m ³
Granulometry 0.8 - 1.6 mm	03696	1	50	0.8



Zeolite

DESCRIPTION

Natural porous material that has higher filtration qualities than the normal substrate. It can be compared to that of diatomaceous earth but at a lower price and lasting much longer. Bags 30 Kg.

	Code	Standard Pack	Standard weight in kg	Standard volume in m ³
Zeolite standard 0.5 - 1 mm	25845	1	-	-
Zeolite standard 1-2 mm	25846	1	30	0.023
Zeolite standard 2-5 mm	25847	1	30	0.023



Gauge panel unit

DESCRIPTION

Including air vents.

	Code	Standard Pack	Standard weight in kg	Standard volume in m ³
With pressure gauges 3 kg/cm ²	00729	1	1	0.007
With pressure gauges 6 kg/cm ²	00730	1	1	0.007

