



SICMEMOTORI

CATALOGUE

C-NP500-800-E-08

D.C. Motors
for Industrial Applications
NP Series
Frames 500-800

- *From 800 to 2000 KW*
- *From 7000 to 60000 Nm*



D.C MOTORS FRAMES 500-800



D.C. MOTORS FOR INDUSTRIAL APPLICATIONS

NP SERIES

FRAMES 500 – 800

FROM 800 TO 2.000 Kw

FROM 7.000 TO 60.000 Nm

TECHNICAL CATALOGUE



C-NP500-800-E-1000-04

LIST OF CONTENTS

General description
Options and accessories
Output data
Performance tables
Dimension drawings



CERTIFICATE

IQNet and its partner
CISQ/IMQ-CSQ
hereby certify that the organization

SICME MOTORI SPA

Strada del Francese, 126/130 - 10156 TORINO (TO) Italy

for the following field of activities

Design, engineering, production and sale of: direct
current motors and generators / Alternate current
motors for inverter drives / Switched reluctance drives

Refer to quality manual for details of applications to ISO 9001:2000 requirements
has implemented and maintains a

Quality Management System

which fulfills the requirements of the following standard

ISO 9001:2000

Issued on: 2002 - 07 - 31

Registration Number: IT - 1088



Fabio Roversi
President of IQNet



Gianrenzo Prati
President of CISQ

IQNet partners*:

AENOR Spain AFAQ France AIB-Vincotte International Belgium APCER Portugal CISQ Italy CQC China
CQM China CQS Czech Republic DQS Germany DS Denmark ELOT Greece FCAV Brazil FONDONORMA Venezuela
HKQAA Hong Kong ICONTEC Colombia IRAM Argentina JQA Japan KEMA Netherlands KFQ Korea MSZT Hungary
Nemko Certification Norway NSAI Ireland OQS Austria PCBC Poland PSB Certification Singapore QAS Australia
QMI Canada SFS Finland SHI Israel SIQ Slovenia SQS Switzerland

IQNet is represented in the USA by the following partners: AFAQ, AIB-Vincotte International, CISQ, DQS, KEMA, NSAI and QMI
*The list of IQNet partners is valid at the time of issue of this certificate. Updated information is available under www.iqnet-certification.com



SICMEMOTORI

Sicme Motori SpA – Strada del Francese 126/130 – 10156 Torino – Italy
Tel. +39-011-4076311 - Fax +39-011-4500047 – www.sicmemotori.com – sicmemotori@sicmemotori.com

C-NP500-800-E-1000-04

GENERAL DESCRIPTION

This catalogue gives the main technical information about DC motors for industrial applications NP Series, frames 500-560-630-710-800.

For all missing information please refer to General Description for DC motors code C-GENDC-E-1000-04, or please ask SICMEMOTORI.

Motors described in this catalogue are fully laminated, with 6 poles (frames 500-560-630-710) or 8 poles (frame 800), with compensating windings.

Designation of the motors (example)

NP	:	Motor series
560	:	Shaft height (mm)
K	:	Compensating windings
ML	:	Core length
6	:	Selection code for length definition
PVA	:	Type of cooling
B3	:	Mounting arrangement

Constructional features

IEC 60034-1/A1-A2 Standards - CSA Standards available

Fully laminated frame

Insulation class H

6 poles (500-560-630-710) or 8 poles (800)

Compensating windings

Balancing N degree (ISO2373) with half key (frames 500-560-630) or keyless (frames 710-800)

Twin brushes

Constant pressure brush-holders

Terminal box RHS viewed from DE

DE roller grease lubricated bearings

NDE ball grease lubricated bearings

TIG welding from winding to commutator

Vacuum impregnation with resin without solvent

Top quality materials

Overload capacity

	T_{max}	I_{max}	Duration
Std IEC 60034-1	$1.6 T_n$	Not stated	1' occasional
Compensated machines	$1.9 T_n$	$2 I_n$	15" every 5' or 1' every 20'

Nema MG1-23.41 standards overloads available on request. Please ask SICMEMOTORI

Standstill

Current % (*)	Duration
200	10 sec
100	30 sec
50	90 sec
20	10 min
10	Continuous

(*) percentage with respect to the nominal rating

Current gradient

Motors are suitable for dynamic load di/dt up to 200 In/sec.

Heat exchangers**Air-water heat exchanger (IC86W)**

Placed on top of the motor. Standard and optional accessories are described in the accessories table.

Blower motor data are shown on performance tables.

Standard design is for inlet water temperature of 26 °C max.

Air-air heat exchanger (IC666)

Placed on top of the motor. Standard and optional accessories are described in the accessories table.

Blower motor data for IC666

Motor	Inner circuit fan			Voltage (V)	Frequ. (Hz)	Outer circuit fan			Cooler weight (kg)
	Type asynchr. motor	Current (A)	Power (kW)			Type asynchr. motor	Current (A)	Power (kW)	
500	160M2B	26,5	15	400	50	100L4B	6,48	3	1700
560	160M4A	21,5	11	400	50	132M4A	14,8	7,5	1800
630	160M4A	21,5	11	400	50	132M4A	14,8	7,5	1900

Cooling methods IC and degree of protections IP (IEC 60034-6 and 60034-5)

IP	IC	SM code	Description	500	560	630	710	800
23	06	PVA	Forced ventilation	X	X	X	X	X
	16	BPVA	Forced ventilation with ducted inlet air	X	X	X	X	X
	17	BCA	Single pipe ventilation	X	X	X	X	X
IP44 (IP55)	36	BPVAB	Forced ventilation with ducted inlet and outlet air	X	X	X	X	X
	37	CBA	Double pipe ventilation	X	X	X	X	X
	86W	CBARH	Air-water cooler	X	X	X	X	X
	666	CBARO	Air-air cooler	X	X	X		

Mounting arrangements IM (IEC 60034-7/A1)

IM	Description	500	560	630	710	800
1001 (B3)	Horizontal shaft, foot mounting	X	X	X	X	X
1002 (B3)	Horizontal shaft, foot mounting, 2 shaft end	X	X	X	X	X
2001 (B35)	Horizontal shaft, foot and flange (through holes)	X	X	X	X	X
1031 (V6)	Vertical shaft (up), foot mounting	X				
1011 (V5)	Vertical shaft (down), foot mounting	X				
2031 (V36)	Vertical shaft (up), foot and flange (through holes)	X				
2011 (V15)	Vertical shaft (down), foot and flange (threaded holes)	X				

and all derivated mounting arrangements (Ex. IM1051, 1061, 2051, etc..).



OPTIONS AND ACCESSORIES

X = Available on request
 STD = Standard

Common options and accessories

Description	500	560-630	710-800
Klixon fitted as standard in stator windings (standard quantity)	2	2	2
PTC thermistors in stator windings	X	X	X
Pt100 thermal detector in stator windings	X	X	X
Brush wear control device	X	X	X
Special balancing (R or S degree)	X	X	X
Balancing with half key	STD	STD	X
Special balancing with whole key	X	X	X
Keyless shaft	X	X	STD
Tacho or Pulse generator provision (std type diam. 14/11)	STD	STD	STD
Tacho or Pulse generator provision (hollow shaft)	X	X	X
Speed feedback devices	X	X	X
Anticondensation heaters	X	X	X
Transparent inspection covers	X	X	STD
Earthing brush	X	X	X
Bearing vibration control sensor provision (M8 hole)	X	X	X
Bearing temperature control sensor (Pt100)	X	X	X
DE ball bearing (for direct coupling)	X	X	X
Slide rails	X	NO	NO
Brakes (Disc, Pneumatic, Electromagnetic, Etc.)	X	X	X
Terminal box LHS	X	X	X
Terminal box on top	X	X	ASK
Painting different than RAL 6011	X	X	X
Tropicalization	STD	STD	STD
Special painting for corrosive environments	X	X	X
Stainless steel screws and bolts	X	X	X
Anchorage and foundation bolts	X	X	X
Tandem or Triple arrangement (engineering or supply)	X	X	X
Electromagnetic clutches	X	X	X
Adapting subframe for shaft height gap	X	X	X

Options and accessories for IC06 cooling

Description	500	560-630	710-800
Blower Position on Top (NDE side)	STD	STD	STD
Blower Position Left or Right	X	X	X
Filter	STD	STD	STD
Ventilation failure detector (Pressure switch)	STD	STD	STD
Blower with special Volt / Hz	X	X	X
Noise reduction device	X	X	X
Anticondensation heaters	X	X	X

Options and accessories for IC86W cooling (air-water)

Description	500	560-630	710-800
Degree of protection IP45, 54, 55	X	X	X
Cooler position on Top	STD	STD	STD
Cooler Position Left or Right	X	X	X
STD side for AC blower	DE	DE	DE
STD position water in/out flanges	Right	Right	Right
Ventilation failure detector (Pressure switch)	STD	STD	STD
Inner air thermostat	STD	STD	STD
Water flow switch	STD	STD	STD
Drain tap	STD	STD	STD
Filter	STD	STD	STD
Water leakage detector (switch)	STD	STD	STD
Air drain plug	STD	STD	STD
Differential pressure switch	X	X	X
Fan with special Volt / Hz	X	X	X
Anticondensation heaters	STD	STD	STD
Cooler for water temp. > 26 °C	X	X	X
Pt100 on inner air	X	X	X
Thermometer on inlet water	X	X	X
Water valves	X	X	X

Options and accessories for IC666 cooling (air-air)

Description	500	560	630
Degree of protection IP45, 54, 55	X	X	X
Cooler position on Top	STD	STD	STD
Cooler Position Left or Right	X	X	X
STD side for inner air	NDE	NDE	NDE
Ventilation failure detector for outer air (Pressure Switch)	STD	STD	STD
Ventilation failure detector for inner air (Pressure Switch)	STD	STD	STD
Inner air thermostat	STD	STD	STD
Filter	STD	STD	STD
Fan with special Volt / Hz	X	X	X
Anticondensation heaters	STD	STD	STD
Differential pressure switch	X	X	X
Noise reduction device	X	X	X
Pt100 on inner air	X	X	X

OUTPUT DATA

Conditions of validity of the data contained in the performance tables shown in next pages are the following:

- Type of cooling IC06-IC16-IC17-IC36-IC37-IC86W
- Maximum ambient temperature 40 °C
- Maximum altitude 1000 m.a.s.l.
- Supply from three-phase fully controlled bridge (max form factor of armature current 1,05)
- Insulation and temperature rise Class H
- Duty S1 (continuous duty)
- Standard overloads
- Separate excitation

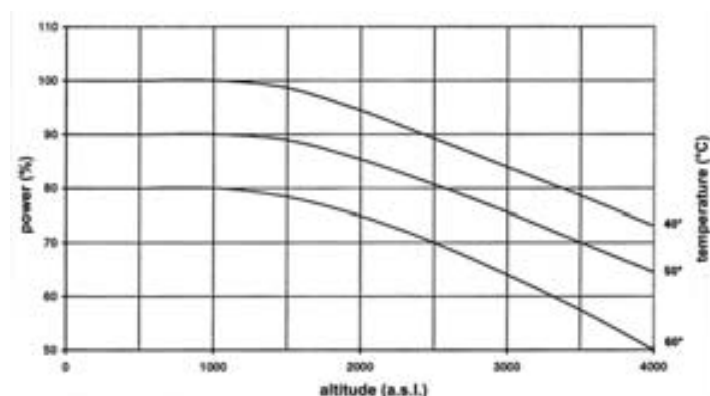
De-rating coefficient for conditions different than the above ones

These are the coefficients that need to be used to bring the power ratings (and speed) required by the application to values compatible with the power and speed data given in this catalogue, when the type of service, ventilation, environment temperature and overtemperature differ from the standard ones above indicated. The various coefficients must be multiplied together when contemporaneous situations occur, obtaining 2 overall coefficient:

coefficient K_p referring to the power;
 coefficient K_n referring to the speed.

To select a frame size suitable for required power/speed, the power rating to be found in this catalogue must be divided by K_p and the speed rating must be multiplied by K_n .

De-rating coefficient for different ambient temperature or altitude a.s.l.



When ambient temperature is > 60°C and/or altitude is > 4000 m.a.s.l., please ask SICMEMOTORI.

De-rating coefficient for IC666 cooling method

IC	SM code	K_p	K_n
666	CBARO	0.77	0.86

De-rating coefficient for temperature rise different than class H

Delta T	K _p	K _n
Class H (125 °C)	1	1
Class F (105 °C)	0,94	0,97
Class B (80 °C)	Please ask	

Important remark : The Purchaser is always responsible to declare the duty; in case the duty is not declare, SICMEMOTORI assumes that duty S1 (continuous running duty) applies. When duty is different than S1, or when sudden accelerations/decelerations/overloads are required, please call SICMEMOTORI.

Selection code for length definition

Selection codes are necessary to select the right motor length on drawing. Standard selection codes are shown on the performance tables. When de-rating coefficient are used, selection codes change as shown in the following table.

Motor frame	Motors with de-rating coefficients			
	Temperature rise class F		Temperature rise class B IC666 motors	
	Number of Winding	Selection code	Number of winding	Selection code
500	52-55	7	All	6
	57-66	6		
560	44-48	8	All	6
	50-54	6		
630	43-47	8	All	6
	49-53	6		
710	all	8	All	6
800	all	8	All	6

Abbreviations used in the performance tables

Winding N°.	Number of armature winding
Base speed	Nominal speed (rpm)
P	Nominal power (kW)
I	Nominal armature current (A)
T	Nominal torque (Nm)
L_{arm}	Armature circuit efficiency (%)
R_{arm}	Armature circuit resistance at 115 °C (Ohm)
L_{arm}	Armature circuit inductance (mH)
Select. code	Selection code



Motor type NP500KRS

IC06-17-37-86W

Wind. N°.	Base speed (rpm)								P (kW)	Max rpm*	I (A)	T (Nm)	η (%)	R _{arm} (Ohm)	L _{arm} (mH)	Select. code
	400	440	460	500	520	600	700	750								
52	1067								831	1500	2220	7444	93,62	0,006	0,054	7
		1179							905	1500	2189	7339	94,01		0,054	
			1235						940	1500	2173	7278	94,07		0,055	
				1347					1010	1500	2142	7171	94,33		0,055	
					1403				1041	1500	2122	7094	94,38		0,056	
53	996								805	1500	2152	7720	93,47	0,007	0,061	7
		1100							886	1500	2147	7697	93,83		0,061	
			1152						923	1500	2136	7656	93,97		0,061	
				1257					991	1500	2104	7533	94,21		0,062	
					1310				1024	1500	2088	7472	94,30		0,062	
54						1519			1128	1500	1988	7092	94,58	0,008	0,065	7
	933								756	1500	2025	7739	93,32		0,069	
		1031							834	1500	2025	7731	93,65		0,069	
			1080						873	1500	2025	7728	93,79		0,069	
				1178					942	1500	2003	7643	94,07		0,069	
55					1227				976	1500	1993	7601	94,21	0,010	0,070	7
						1424			1097	1500	1935	7362	94,52		0,071	
	875								700	1500	1882	7639	92,96		0,080	
		968							765	1500	1866	7557	93,23		0,080	
			1014						797	1500	1855	7512	93,42		0,080	
57				1107					860	1500	1834	7422	93,76	0,011	0,081	6
					1153				889	1500	1823	7370	93,81		0,081	
						1339			1007	1500	1781	7190	94,25		0,082	
	783								653	1430	1760	7977	92,77		0,095	
		865							718	1430	1749	7925	93,25		0,095	
59			907						749	1430	1744	7898	93,43	0,014	0,095	6
				990					810	1440	1728	7817	93,74		0,096	
					1031				841	1450	1723	7788	93,85		0,096	
						1198			953	1460	1685	7602	94,23		0,097	
							1406		1084	1470	1638	7371	94,59		0,100	
60							1511		1126	1500	1585	7122	94,72	0,015	0,103	6
	697								580	1500	1569	7944	92,40		0,120	
		772							641	1500	1569	7942	92,91		0,119	
			809						672	1500	1569	7941	93,13		0,119	
				883					732	1500	1569	7926	93,38		0,118	
62					920				761	1500	1564	7904	93,61	0,019	0,118	6
						1069			867	1500	1537	7749	94,02		0,120	
							1255		995	1500	1505	7575	94,47		0,121	
								1349	1054	1500	1484	7464	94,67		0,123	
									546	1500	1479	8013	92,29		0,136	
62	651								603	1500	1479	8000	92,70	0,015	0,135	6
		720							632	1500	1479	7994	92,88		0,135	
			755						690	1500	1479	7997	93,33		0,134	
				824					719	1500	1479	7992	93,47		0,134	
					859				833	1500	1479	7977	93,91		0,133	
62						998			956	1500	1447	7792	94,40	0,019	0,133	6
							1173		1015	1500	1431	7704	94,62		0,140	
								1259	1015	1500	1431	7704	94,62		0,140	
	573								479	1370	1304	7994	91,87		0,176	
		634							530	1380	1304	7985	92,39		0,174	
62			665						555	1390	1304	7982	92,61	0,019	0,174	6
				726					606	1390	1304	7976	93,01		0,173	
					757				632	1390	1304	7973	93,18		0,173	
						880			734	1390	1304	7965	93,77		0,171	
							1034		860	1390	1304	7946	94,19		0,170	
							1111	919	1390	1299	7906	94,37	0,170			

* by field weakening at constant power

Motor type NP500KRS

IC06-17-37-86W

Wind. N°.	Base speed (rpm)								P (kW)	Max rpm*	I (A)	T (Nm)	η (%)	R _{arm} (Ohm)	L _{arm} (mH)	Select. code
	400	440	460	500	520	600	700	750								
64	508								413	1300	1140	7776	90,70	0,025	0,226	6
		563							458	1300	1140	7769	91,33		0,225	
			590						480	1300	1140	7767	91,61		0,224	
				646					525	1350	1140	7762	92,09		0,223	
					674				547	1400	1140	7759	92,31		0,222	
						783			636	1400	1140	7753	93,02		0,220	
							921		747	1400	1140	7746	93,69		0,218	
								990	802	1400	1140	7739	93,89		0,218	
66	477								389	1200	1076	7799	90,39	0,029	0,256	6
		529							431	1200	1076	7798	91,13		0,253	
			554						453	1200	1076	7797	91,45		0,253	
				607					494	1250	1076	7779	91,82		0,251	
					633				515	1250	1076	7779	92,08		0,250	
						737			599	1300	1076	7766	92,78		0,248	
							867		704	1400	1076	7756	93,46		0,246	
								932	757	1400	1076	7758	93,79		0,245	

* by field weakening at constant power

When required max speed at constant power by field weakening is higher than speed indicated in column “max. rpm”, please contact SICMEMOTORI

Main features

		NP500KRS6	NP500KRS7
Field power	W	4400	
Inertia	Kgm ²	81,5	83,5
Max mechanical speed	rpm	1700	
Weight IC06	kg	5120	5185
Weight IC17-IC37	kg	4850	4915
Weight IC86W	kg	5500	5565
DE bearing	roller	NU234-C3	
NDE bearing	ball	6234-C3	

Blowers data (3x400 V – 50 Hz)

		IC06	IC17-37	IC86W
Blower ac motor	type	160M4A	--	160M2A
Power	kW	11	--	11
Current	A	21,5	--	20
Poles	N°.	4	--	2
Dissipated losses	kW	--	--	56
Water flow rate	m ³ /h	--	--	13
Water flanges	DIN2566	--	--	DN65
Air flow rate	m ³ /sec	--	3,55	--
Static pressure	Pa	--	1300	--

Motor type NP500KRM

IC06-17-37-86W

Wind. N°.	Base speed (rpm)								P (kW)	Max rpm*	I (A)	T (Nm)	η (%)	R _{arm} (Ohm)	L _{arm} (mH)	Select. code						
	400	440	460	500	520	600	700	750														
52	945								831	1500	2220	8408	93,62	0,007	0,061	7						
		1044							907	1500	2194	8306	94,00				0,061					
			1093						945	1500	2184	8254	94,03					0,061				
				1192					1015	1500	2153	8128	94,26						0,062			
					1243				1050	1500	2137	8072	94,44									
53	882								805	1500	2152	8719	93,47	0,007	0,069	7						
		974							886	1500	2147	8692	93,83				0,069					
			1020						923	1500	2136	8645	93,97					0,069				
				1114					996	1500	2115	8552	94,24						0,070			
					1159				1029	1500	2099	8480	94,31							0,070		
54						1346			1152	1500	2030	8182	94,60	0,008	0,072	7						
	826								756	1500	2025	8742	93,32				0,078					
		913							834	1500	2025	8732	93,65					0,078				
			956						873	1500	2025	8728	93,79						0,078			
				1044					944	1500	2009	8650	94,04							0,078		
					1086				978	1500	1998	8601	94,16								0,078	
55						1261			1107	1500	1950	8383	94,57	0,010	0,080	7						
	775								696	1400	1876	8591	92,80				0,090					
		856							763	1400	1860	8512	93,24					0,090				
			898						797	1400	1855	8484	93,42						0,091			
				980					862	1430	1839	8404	93,72							0,091		
57					1021				893	1480	1829	8352	93,87	0,012	0,093	6						
						1185			1013	1500	1791	8168	94,28				0,108					
	692								652	1330	1760	9001	92,62					0,108				
		766							717	1330	1749	8942	93,11						0,108			
			803						746	1330	1738	8883	93,32							0,108		
				877					809	1340	1728	8818	93,62								0,108	
					914				840	1350	1723	8785	93,73									0,110
59						1061			956	1360	1691	8613	94,25	0,014	0,112	6						
							1246		1092	1410	1648	8377	94,63				0,113					
								1338	1153	1430	1622	8239	94,81					0,135				
	617								579	1300	1569	8965	92,23						0,135			
		683							640	1300	1569	8960	92,75							0,134		
			716						671	1300	1569	8959	92,98								0,134	
				782					731	1350	1569	8943	93,24									0,134
					815				760	1350	1564	8916	93,48									
60						947			870	1450	1542	8784	94,04	0,016	0,137	6						
							1112		999	1500	1511	8579	94,44				0,138					
								1195	1061	1500	1495	8487	94,66					0,154				
	576								545	1300	1479	9043	92,11						0,153			
		637							602	1300	1479	9027	92,54							0,153		
			668						632	1300	1479	9036	92,88								0,152	
				730					689	1350	1479	9023	93,19									0,152
					760				718	1350	1479	9017	93,33									
62						883			833	1400	1479	9010	93,91	0,020	0,152	6						
							1038		959	1450	1452	8828	94,37				0,153					
								1116	1019	1450	1436	8725	94,56					0,199				
	506								477	1200	1304	9005	91,46						0,197			
		560							529	1200	1304	9014	92,20							0,197		
			588						554	1200	1304	9010	92,44								0,196	
				643					605	1250	1304	9001	92,85									0,195
					670				631	1250	1304	8998	93,03									
62						779			732	1290	1304	8986	93,63	0,192	0,192	6						
							916		860	1290	1304	8975	94,19				0,192					
								983	919	1300	1299	8928	94,37					0,192				
																			0,192			

* by field weakening at constant power

Motor type NP500KRM

IC06-17-37-86W

Wind. N°.	Base speed (rpm)								P code	Max rpm*	I (A)	T (Nm)	η (%)	R _{arm} (Ohm)	L _{arm} (mH)	Select. code
	400	440	460	500	520	600	700	750								
64	449								412	1150	1140	8779	90,47	0,027	0,256	6
		498							457	1150	1140	8770	91,12		0,254	
			522						479	1150	1140	8766	91,41		0,253	
				571					524	1200	1140	8760	91,91		0,252	
					596				546	1200	1140	8757	92,13		0,251	
						693			635	1250	1140	8748	92,87		0,249	
							816		746	1300	1140	8739	93,55		0,247	
								877	802	1300	1140	8741	93,89		0,246	
66	421								388	1050	1076	8808	90,15	0,030	0,289	6
		467							429	1050	1076	8782	90,69		0,287	
			490						451	1050	1076	8781	91,03		0,286	
				536					493	1150	1076	8780	91,63		0,284	
					559				514	1150	1076	8780	91,89		0,283	
						651			598	1250	1076	8764	92,61		0,280	
							767		703	1350	1076	8752	93,31		0,278	
								825	756	1400	1076	8753	93,66		0,277	

* by field weakening at constant power

When required max speed at constant power by field weakening is higher than speed indicated in column “max. rpm”, please contact SICMEMOTORI

Main features

		NP500KRM6	NP500KRM7
Field power	W	4600	
Inertia	Kgm ²	90	92
Max mechanical speed	rpm	1700	
Weight IC06	kg	5320	5385
Weight IC17-IC37	kg	5050	5115
Weight IC86W	kg	5700	5765
DE bearing	roller	NU234-C3	
NDE bearing	ball	6234-C3	

Blowers data (3x400 V – 50 Hz)

		IC06	IC17-37	IC86W
Blower ac motor	type	160M4A	--	160M2A
Power	kW	11	--	11
Current	A	21,5	--	20
Poles	N°.	4	--	2
Dissipated losses	kW	--	--	56
Water flow rate	m ³ /h	--	--	13
Water flanges	DIN2566	--	--	DN65
Air flow rate	m ³ /sec	--	3,55	--
Static pressure	Pa	--	1300	--

Motor type NP500KR

IC06-17-37-86W

Wind. N°.	Base speed (rpm)								P (kW)	Max rpm*	I (A)	T (Nm)	η (%)	R _{arm} (Ohm)	L _{arm} (mH)	Select. code		
	400	440	460	500	520	600	700	750										
52	837								831	1440	2220	9495	93,62	0,007	0,069	7		
		924							908	1450	2199	9390	93,89				0,069	
			969						945	1460	2184	9319	94,03				0,069	
				1056					1018	1470	2158	9203	94,32				0,070	
					1101				1054	1500	2148	9148	94,36				0,070	
53	781								803	1420	2152	9836	93,35	0,008	0,078	7		
		862							885	1420	2147	9804	93,71				0,078	
			904						922	1420	2136	9750	93,86				0,078	
				986					995	1450	2115	9645	94,14				0,079	
					1027				1031	1450	2104	9594	94,26				0,079	
54						1192			1168	1480	2056	9363	94,67	0,009	0,080	7		
	731								755	1400	2025	9863	93,19				0,089	
		808							833	1400	2025	9850	93,53				0,088	
			847						872	1400	2025	9845	93,67				0,088	
				924					944	1400	2009	9767	94,04				0,088	
					963				978	1430	1998	9712	94,16				0,089	
55							1117		1109	1450	1956	9481	94,49	0,011	0,102	7		
	685								695	1430	1876	9693	92,66				0,102	
		758							762	1430	1860	9602	93,11				0,102	
			795						796	1430	1855	9571	93,29				0,102	
				868					861	1440	1839	9478	93,60				0,103	
					904				891	1440	1829	9420	93,76				0,103	
57								1050	1015	1480	1797	9240	94,20	0,012	0,104	6		
	613								649	1220	1754	10122	92,45				0,122	
		678							713	1230	1744	10058	92,98				0,122	
			711						745	1240	1738	10023	93,19				0,122	
				776					806	1250	1723	9920	93,54				0,123	
					809				836	1250	1717	9883	93,66				0,123	
						940			956	1270	1691	9724	94,25				0,124	
59							1103		1099	1300	1659	9522	94,66	0,015	0,125	6		
								1185	1164	1300	1638	9385	94,76				0,127	
	546								578	1150	1569	10119	92,06				0,153	
		604							639	1200	1569	10112	92,60				0,152	
			633						670	1250	1569	10110	92,83				0,152	
				691					728	1300	1564	10060	93,15				0,151	
					721				757	1350	1558	10029	93,41				0,152	
60							839		866	1360	1537	9870	93,91	0,017	0,153	6		
								985	999	1390	1511	9685	94,44				0,154	
	509								1058	1064	1390	1500	9609				94,61	0,155
		564							601	1150	1479	10189	92,38				0,173	
			591						630	1200	1479	10180	92,57				0,172	
				646					688	1300	1479	10181	93,05				0,172	
					673				717	1320	1479	10174	93,19				0,171	
62							783		829	1320	1473	10123	93,77	0,021	0,219	6		
								919	959	1340	1452	9968	94,37				0,217	
									988	1022	1350	1442	9881				94,51	0,172
	448								476	1100	1304	10170	91,26				0,225	
		495							527	1100	1304	10157	91,83				0,223	
			519						552	1100	1304	10152	92,08				0,222	
				568					603	1150	1304	10143	92,52				0,221	
62					592				629	1200	1304	10138	92,71	0,021	0,221	6		
						689			731	1200	1304	10140	93,50				0,219	
							811		859	1200	1304	10125	94,08				0,217	
								871	918	1200	1299	10071	94,26				0,217	

* by field weakening at constant power

Motor type NP500KR

IC06-17-37-86W

Wind. N°.	Base speed (rpm)								P (kW)	Max rpm*	I (A)	T (Nm)	η (%)	R _{arm} (Ohm)	L _{arm} (mH)	Select. code	
	400	440	460	500	520	600	700	750									
64	396								411	1000	1140	9915	90,23	0,028	0,290	6	
		440							456	1000	1140	9903	90,91				0,288
			461						478	1000	1140	9897	91,20				0,287
				505					523	1100	1140	9888	91,72				0,285
					526				545	1100	1140	9884	91,95				0,284
						614			634	1200	1140	9871	92,71				0,281
							722		745	1200	1140	9859	93,42				0,279
								777	797	1210	1134	9807	93,71				0,279
66	372								386	1000	1076	9923	89,66	0,032	0,328	6	
		413							428	1000	1076	9919	90,46				0,325
			433						449	1000	1076	9918	90,81				0,323
				474					492	1050	1076	9915	91,43				0,321
					494				513	1100	1076	9914	91,70				0,320
						577			597	1200	1076	9892	92,45				0,317
							679		702	1250	1076	9875	93,17				0,314
								730	750	1300	1071	9817	93,47				0,314

* by field weakening at constant power

When required max speed at constant power by field weakening is higher than speed indicated in column “max. rpm”, please contact SICMEMOTORI

Main features

		NP500KR6	NP500KR7
Field power	W	4800	
Inertia	Kgm ²	98,5	100,5
Max mechanical speed	rpm	1700	
Weight IC06	kg	5550	5615
Weight IC17-IC37	kg	5250	5315
Weight IC86W	kg	5900	5965
DE bearing	roller	NU234-C3	
NDE bearing	ball	6234-C3	

Blowers data (3x400 V – 50 Hz)

		IC06	IC17-37	IC86W
Blower ac motor	type	160M4A	--	160M2A
Power	kW	11	--	11
Current	A	21,5	--	20
Poles	N°.	4	--	2
Dissipated losses	kW	--	--	56
Water flow rate	m ³ /h	--	--	13
Water flanges	DIN2566	--	--	DN65
Air flow rate	m ³ /sec	--	3,55	--
Static pressure	Pa	--	1300	--

Motor type NP500KS

IC06-17-37-86W

Wind. N°.	Base speed (rpm)								P (kW)	Max rpm*	I (A)	T (Nm)	η (%)	R _{arm} (Ohm)	L _{arm} (mH)	Select. code					
	400	440	460	500	520	600	700	750													
52	742								828	1310	2215	10669	93,49	0,007	0,078	7					
		819							905	1350	2194	10552	93,79				0,078				
			859						945	1350	2184	10507	94,03					0,078			
				937					1020	1370	2163	10397	94,29						0,079		
					977				1057	1370	2153	10343	94,41							0,079	
53	692								802	1310	2152	11083	93,23	0,008	0,088	7					
		765							882	1320	2141	11017	93,61				0,088				
			801						922	1330	2136	10996	93,86					0,088			
				875					995	1330	2115	10874	94,14						0,089		
					912				1031	1340	2104	10815	94,26							0,089	
					1057			1170	1380	2062	10573	94,60	0,090								
54	648								754	1280	2025	11115	93,06	0,009	0,100	7					
		717							832	1300	2025	11098	93,41				0,099				
			750						869	1310	2019	11063	93,58					0,099			
				819					941	1320	2003	10976	93,97						0,100		
					853				977	1320	1998	10938	94,06							0,100	
						991		1112	1350	1961	10718	94,50	0,100								
55	608								692	1320	1871	10889	92,49	0,011	0,115	7					
		672							759	1330	1855	10787	92,99				0,116				
			705						793	1340	1850	10752	93,19					0,116			
				769					861	1340	1839	10690	93,60						0,116		
					802				891	1340	1829	10623	93,76							0,116	
						931		1019	1370	1802	10450	94,22	0,117								
57	543								643	1150	1744	11331	92,25	0,013	0,139	6					
		601							708	1150	1733	11263	92,86				0,138				
			630						742	1150	1733	11260	93,07					0,138			
				687					805	1160	1723	11177	93,42						0,138		
					717				835	1160	1717	11133	93,54							0,140	
						833			955	1180	1691	10952	94,15								0,141
							979		1101	1200	1664	10754	94,54								
							1051	1168	1210	1643	10616	94,80	0,142								
59	483								576	1070	1569	11387	91,72	0,016	0,173	6					
		535							637	1100	1569	11380	92,29				0,172				
			561						666	1150	1564	11338	92,56					0,172			
				613					725	1200	1558	11301	93,06						0,172		
					639				753	1250	1553	11252	93,20							0,172	
						744			865	1270	1537	11119	93,79								0,173
							874		1001	1270	1516	10944	94,31								
							939	1064	1300	1500	10831	94,61	0,174								
60	450								542	1100	1479	11488	91,58	0,018	0,197	6					
		499							600	1100	1479	11486	92,21				0,195				
			523						629	1100	1479	11475	92,41					0,195			
				572					686	1150	1479	11456	92,76						0,194		
					596				716	1200	1479	11466	93,05							0,193	
						693			825	1230	1468	11359	93,62								0,193
							816		958	1240	1452	11228	94,26								
							877	1021	1250	1442	11129	94,41	0,194								
62	395								474	1000	1304	11448	90,85	0,023	0,254	6					
		439							525	1000	1304	11432	91,46				0,252				
			460						551	1000	1304	11449	91,91					0,251			
				503					602	1050	1304	11436	92,36						0,250		
					524				628	1100	1304	11430	92,56							0,249	
						611			729	1100	1304	11411	93,22								0,247
							718		853	1110	1299	11349	93,88								
							772	913	1110	1293	11291	94,10	0,246								

* by field weakening at constant power

Motor type NP500KS

IC06-17-37-86W

Wind. N°.	Base speed (rpm)								P (kW)	Max rpm*	I (A)	T (Nm)	η (%)	R _{arm} (Ohm)	L _{arm} (mH)	Select. Code
	400	440	460	500	520	600	700	750								
64	350								409	870	1140	11157	89,77	0,030	0,328	6
		389							454	900	1140	11143	90,49		0,325	
			409						476	950	1140	11137	90,80		0,324	
				447					522	1000	1140	11149	91,53		0,322	
					466				544	1050	1140	11144	91,77		0,321	
						544			633	1110	1140	11125	92,56		0,317	
							640		744	1110	1140	11109	93,29		0,314	
								688	796	1120	1134	11048	93,58		0,315	
66	328								384	800	1076	11170	89,16	0,034	0,371	6
		365							426	840	1076	11165	90,01		0,367	
			383						447	900	1076	11163	90,38		0,366	
				419					490	920	1076	11158	91,03		0,363	
					438				511	950	1076	11157	91,32		0,362	
						511			595	1050	1076	11132	92,12		0,358	
							602		697	1200	1071	11076	93,07		0,356	
								648	746	1200	1065	11013	93,40		0,356	

* by field weakening at constant power

When required max speed at constant power by field weakening is higher than speed indicated in column "max. rpm", please contact SICMEMOTORI

Main features

		NP500KS6	NP500KS7
Field power	W	5000	
Inertia	Kgm ²	107	109
Max mechanical speed	rpm	1700	
Weight IC06	kg	5770	5835
Weight IC17-IC37	kg	5500	5565
Weight IC86W	kg	6150	6215
DE bearing	roller	NU234-C3	
NDE bearing	ball	6234-C3	

Blowers data (3x400 V – 50 Hz)

		IC06	IC17-37	IC86W
Blower ac motor	type	160M4A	--	160M2A
Power	kW	11	--	11
Current	A	21.5	--	20
Poles	N°.	4	--	2
Dissipated losses	kW	--	--	56
Water flow rate	m ³ /h	--	--	13
Water flanges	DIN2566	--	--	DN65
Air flow rate	m ³ /sec	--	3,55	--
Static pressure	Pa	--	1300	--

Motor type NP500KSM

IC06-17-37-86W

Wind. N°.	Base speed (rpm)								P (kW)	Max rpm*	I (A)	T (Nm)	η (%)	R _{arm} (Ohm)	L _{arm} (mH)	Select. code
	400	440	460	500	520	600	700	750								
52	666								825	1250	2209	11841	93,36	0,008	0,087	7
		736							904	1260	2194	11739	93,68			
			771						943	1260	2184	11688	93,93			
				842					1019	1270	2163	11564	94,19			
					877				1056	1280	2153	11503	94,31			
53	621								801	1220	2152	12332	93,10	0,009	0,098	7
		686							881	1230	2141	12258	93,50			
			719						918	1240	2131	12189	93,66			
				785					994	1250	2115	12096	94,04			
					818				1030	1260	2104	12029	94,17			
54						950			1173	1280	2067	11801	94,62	0,010	0,111	7
	582								752	1220	2025	12352	92,80			
		643							829	1220	2019	12317	93,30			
			674						866	1220	2014	12278	93,48			
				736					937	1230	1998	12168	93,79			
55									974	1240	1993	12140	94,01	0,012	0,112	7
							890		1111	1220	1961	11920	94,41			
	545								687	1230	1860	12040	92,31			
		603							758	1240	1855	12003	92,86			
			632						790	1250	1844	11929	93,08			
57									856	1260	1834	11847	93,41	0,014	0,129	6
									890	1250	1829	11818	93,65			
							837		1018	1280	1802	11622	94,12			
	486								640	1060	1738	12571	92,07			
		539							704	1070	1728	12477	92,58			
59									736	1080	1723	12438	92,84	0,017	0,155	6
									800	1080	1717	12385	93,21			
									832	1080	1712	12355	93,47			
								749	954	1100	1691	12183	94,04			
								879	1101	1110	1664	11972	94,54			
60									1171	1120	1648	11849	94,75	0,019	0,158	6
									945	1171	1648	11849	94,75			
	433								575	1080	1569	12680	91,55			
		480							632	1080	1558	12580	92,15			
			503						663	1080	1558	12579	92,43			
62									721	1100	1553	12521	92,83	0,024	0,192	6
									748	1120	1548	12467	92,99			
									861	1150	1532	12323	93,66			
								667	996	1200	1511	12133	94,24			
								784	1063	1210	1500	12046	94,51			
62									844	1063	1500	12046	94,51	0,019	0,194	6
	404								540	1050	1479	12769	91,22			
		448							598	1050	1479	12766	91,89			
			469						626	1050	1479	12754	92,10			
				513					685	1080	1479	12752	92,62			
62									713	1100	1479	12742	92,78	0,024	0,215	6
									824	1150	1468	12640	93,50			
									953	1160	1447	12433	94,09			
									1021	1170	1442	12391	94,41			
									787	1021	1170	1442	12391			
62									471	920	1304	12713	91,21	0,024	0,280	6
									524	940	1304	12735	91,28			
									549	980	1304	12726	91,55			
									600	1000	1304	12712	92,03			
									625	1000	1304	12705	92,25			
62									625	1000	1304	12705	92,25	0,024	0,280	6
									728	1030	1304	12702	93,09			
									848	1030	1293	12564	93,68			
									908	1040	1288	12517	94,05			
									693	908	1040	1288	12517			

* by field weakening at constant power

Motor type NP500KSM

IC06-17-37-86W

Wind. N°.	Base speed (rpm)								P (kW)	Max rpm*	I (A)	T (Nm)	η (%)	R _{arm} (Ohm)	L _{arm} (mH)	Select. code
	400	440	460	500	520	600	700	750								
64	314								407	810	1140	12401	89,30	0,032	0,367	6
		349							453	840	1140	12414	90,27		0,363	
			366						475	890	1140	12405	90,60		0,362	
				401					519	950	1140	12391	91,16		0,359	
					417				542	1000	1140	12384	91,41		0,358	
						487			631	1030	1140	12364	92,25		0,354	
							575		739	1040	1134	12289	93,06		0,352	
								618	791	1040	1129	12225	93,40		0,352	
66	293								383	750	1076	12452	88,92	0,036	0,415	6
		326							424	780	1076	12412	89,57		0,410	
			343						445	820	1076	12408	89,96		0,409	
				376					488	850	1076	12404	90,64		0,405	
					392				509	860	1076	12402	90,94		0,404	
						457			594	1000	1076	12395	91,95		0,399	
							540		692	1110	1065	12250	92,82		0,399	
								581	744	1110	1065	12240	93,13		0,397	

* by field weakening at constant power

When required max speed at constant power by field weakening is higher than speed indicated in column “max. rpm”, please contact SICMEMOTORI

Main features

		NP500KSM6	NP500KSM7
Field power	W	5300	
Inertia	Kgm ²	115,5	117,5
Max mechanical speed	rpm	1600	
Weight IC06	kg	5970	6035
Weight IC17-IC37	kg	5700	5765
Weight IC86W	kg	6350	6415
DE bearing	roller	NU236-C3	
NDE bearing	ball	6236-C3	

Blowers data (3x400 V – 50 Hz)

		IC06	IC17-37	IC86W
Blower ac motor	type	160M4A	--	160M2A
Power	kW	11	--	11
Current	A	21,5	--	20
Poles	N°.	4	--	2
Dissipated losses	kW	--	--	56
Water flow rate	m ³ /h	--	--	13
Water flanges	DIN2566	--	--	DN65
Air flow rate	m ³ /sec	--	3,55	--
Static pressure	Pa	--	1300	--

Motor type NP500KM

IC06-17-37-86W

Wind. N°.	Base speed (rpm)								P (kW)	Max rpm*	I (A)	T (Nm)	η (%)	R _{arm} (Ohm)	L _{arm} (mH)	Select. code
	400	440	460	500	520	600	700	750								
52	592								821	1140	2204	13235	93,11	0,008	0,097	7
		655							901	1150	2189	13138	93,58		0,098	
			687						939	1160	2178	13066	93,74		0,098	
				750					1018	1180	2163	12970	94,10		0,098	
					782				1055	1180	2153	12900	94,22		0,098	
53	552								798	1150	2147	13801	92,96	0,009	0,110	7
		612							876	1150	2131	13685	93,40		0,111	
			641						915	1150	2125	13642	93,57		0,111	
				699					990	1150	2109	13524	93,87		0,111	
					729				1029	1160	2104	13494	94,07		0,111	
54						847			1176	1180	2072	13270	94,54	0,011	0,112	7
	517								750	1130	2025	13866	92,67		0,125	
		573							825	1130	2014	13768	93,06		0,125	
			600						862	1130	2009	13725	93,27		0,125	
				655					934	1140	1993	13619	93,72		0,125	
55					683				970	1140	1988	13573	93,85	0,013	0,126	7
						793			1110	1090	1961	13369	94,32		0,126	
	484								684	1160	1855	13472	92,14		0,146	
		537							752	1160	1844	13373	92,61		0,146	
			563						788	1160	1844	13369	92,83		0,145	
57				615					855	1160	1834	13292	93,29	0,015	0,145	6
					641				888	1170	1829	13241	93,42		0,145	
						746			1017	1150	1802	13035	94,02		0,146	
	433								635	960	1728	14017	91,87		0,175	
		480							701	980	1723	13963	92,45		0,175	
59			503						731	1000	1717	13898	92,59	0,018	0,175	6
				550					797	1000	1712	13861	93,13		0,174	
					573				828	1000	1707	13808	93,29		0,174	
						666			952	1010	1691	13652	93,83		0,175	
							783		1100	1030	1664	13426	94,45		0,176	
60								842	1173	1030	1654	13324	94,62	0,020	0,177	6
	384								568	960	1558	14106	91,16		0,219	
		426							628	1000	1553	14053	91,84		0,218	
			448						656	1050	1548	14005	92,17		0,218	
				489					714	1080	1542	13946	92,65		0,217	
62				511					744	1080	1542	13931	92,78	0,026	0,216	6
					594				856	1100	1526	13774	93,52		0,217	
						699			995	1110	1511	13610	94,14		0,217	
							751		1061	1120	1500	13497	94,32		0,218	
	358								537	920	1479	14318	90,86		0,247	
66		398							596	950	1479	14313	91,56	0,020	0,245	6
			417						624	990	1479	14299	91,79		0,244	
				456					681	1050	1473	14249	92,37		0,244	
					476				709	1050	1473	14239	92,56		0,243	
						554			816	1070	1458	14070	93,33		0,243	
68									952	1070	1447	13948	93,98	0,026	0,243	6
									1015	1080	1436	13840	94,27		0,244	
	315								470	800	1304	14275	90,04		0,320	
		349							520	830	1304	14255	90,72		0,317	
			366						547	870	1304	14273	91,20		0,316	
70				401					598	910	1304	14255	91,71	0,026	0,314	6
					418				623	950	1304	14246	91,93		0,313	
						487			723	950	1299	14175	92,79		0,311	
							574		844	960	1288	14046	93,59		0,310	
								617	903	960	1283	13978	93,88		0,310	

* by field weakening at constant power

Motor type NP500KM

IC06-17-37-86W

Wind. N°.	Base speed (rpm)								P (kW)	Max rpm*	I (A)	T (Nm)	η (%)	R _{arm} (Ohm)	L _{arm} (mH)	Select. code
	400	440	460	500	520	600	700	750								
64	279								405	710	1140	13908	88,84	0,034	0,413	6
		309							451	740	1140	13922	89,85		0,409	
			324						473	780	1140	13911	90,19		0,407	
				355					517	850	1140	13893	90,79		0,404	
					371				540	900	1140	13886	91,06		0,403	
						433			629	950	1140	13860	91,94		0,398	
							511		738	950	1134	13794	92,92		0,396	
								550	790	950	1129	13720	93,27		0,396	
66	260								379	700	1076	13932	88,18	0,039	0,468	6
		289							422	720	1076	13923	89,12		0,463	
			304						443	750	1076	13919	89,53		0,461	
				333					485	800	1076	13912	90,25		0,457	
					349				507	850	1076	13908	90,56		0,455	
						407			588	960	1071	13818	91,58		0,451	
							481		687	1040	1060	13665	92,57		0,450	
								517	739	1040	1060	13657	92,93		0,448	

* by field weakening at constant power

When required max speed at constant power by field weakening is higher than speed indicated in column “max. rpm”, please contact SICMEMOTORI

Main features

		NP500KM6	NP500KM7
Field power	W	5700	
Inertia	Kgm ²	124	126
Max mechanical speed	rpm	1600	
Weight IC06	kg	6250	6315
Weight IC17-IC37	kg	5970	6035
Weight IC86W	kg	6620	3385
DE bearing	roller	NU236-C3	
NDE bearing	ball	6236-C3	

Blowers data (3x400 V – 50 Hz)

		IC06	IC17-37	IC86W
Blower ac motor	type	160M4A	--	160M2A
Power	kW	11	--	11
Current	A	21,5	--	20
Poles	N°.	4	--	2
Dissipated losses	kW	--	--	56
Water flow rate	m ³ /h	--	--	13
Water flanges	DIN2566	--	--	DN65
Air flow rate	m ³ /sec	--	3,55	--
Static pressure	Pa	--	1300	--

Motor type NP500KML

IC06-17-37-86W

Wind. N°.	Base speed (rpm)								P (kW)	Max rpm*	I (A)	T (Nm)	η (%)	R _{arm} (Ohm)	L _{arm} (mH)	Select. code						
	400	440	460	500	520	600	700	750														
52	525								816	1060	2194	14846	92,96	0,009	0,111	7						
		581							897	1070	2184	14759	93,37				0,110					
			609						935	1080	2173	14680	93,55					0,111				
				664					1016	1080	2163	14602	93,90						0,111			
					692				1053	1090	2153	14525	94,04									
53	489								792	1060	2136	15460	92,68	0,010	0,125	7						
		542							871	1060	2125	15373	93,18				0,125					
			568						911	1060	2120	15326	93,37					0,126				
				620					986	1070	2104	15193	93,70						0,126			
					646				1025	1070	2099	15160	93,92							0,126		
						750			1173	1080	2072	14939	94,37									
54	458								744	1050	2014	15528	92,37	0,011	0,142	7						
		507							818	1050	2003	15424	92,83				0,142					
			531						855	1050	1998	15379	93,07					0,142				
				581					930	1050	1988	15300	93,55						0,142			
					605				966	1050	1982	15250	93,69							0,143		
						703			1109	970	1961	15067	94,23									
55	429								679	1070	1850	15127	91,83	0,014	0,165	7						
		476							748	1070	1839	15040	92,48				0,165					
			499						781	1070	1834	14971	92,61					0,164				
				545					851	1070	1829	14929	93,10						0,165			
					568				884	1080	1823	14874	93,25							0,165		
						660			1014	1030	1802	14676	93,82									
57	383								629	920	1717	15682	91,51	0,016	0,198	6						
		424							694	920	1712	15629	92,18				0,198					
			446						727	920	1712	15608	92,34					0,198				
				486					790	920	1701	15504	92,83						0,197			
					508				823	920	1701	15490	92,98							0,198		
						590			948	930	1685	15337	93,71								0,199	
							694		1098	940	1664	15115	94,27									0,199
								746	1172	950	1654	15013	94,53									
59	341								562	900	1548	15772	90,75	0,020	0,246	6						
		378							621	910	1542	15720	91,53				0,247					
			396						651	920	1542	15700	91,74					0,246				
				433					709	950	1537	15638	92,28						0,246			
					451				737	990	1532	15576	92,49							0,246		
						526			851	1000	1521	15452	93,26								0,246	
							619		990	1010	1505	15273	93,96									0,246
								666	1060	1010	1500	15211	94,23									
60	317								533	800	1473	16072	90,47	0,022	0,276	6						
		351							591	840	1473	16070	91,24				0,277					
			369						618	890	1468	15996	91,51					0,276				
				404					673	950	1463	15922	92,03						0,275			
					421				702	970	1463	15915	92,25							0,275		
						491			811	980	1452	15783	93,07								0,276	
							578		947	980	1442	15652	93,80									0,276
								621	1009	1000	1431	15516	94,02									
62	278								466	720	1304	16066	89,43	0,028	0,352	6						
		308							518	750	1304	16073	90,35				0,357					
			323						544	790	1304	16061	90,67					0,355				
				354					593	850	1299	15978	91,27						0,354			
					370				618	870	1299	15971	91,52							0,352		
						431			714	880	1288	15823	92,46								0,352	
							509		837	880	1283	15739	93,27									0,352
								547	897	870	1277	15667	93,61									

* by field weakening at constant power

Motor type NP500KML

IC06-17-37-86W

Wind. N°.	Base speed (rpm)								P (kW)	Max rpm*	I (A)	T (Nm)	η (%)	R _{arm} (Ohm)	L _{arm} (mH)	Select. code
	400	440	460	500	520	600	700	750								
64	246								403	640	1140	15687	88,37	0,036	0,469	6
		273							447	670	1140	15660	89,22		0,463	
			286						470	710	1140	15649	89,59		0,461	
				315					514	780	1140	15629	90,23		0,457	
					328				537	840	1140	15651	90,70		0,456	
						383			623	880	1134	15533	91,59		0,452	
							452		731	880	1129	15445	92,56		0,449	
								487	783	880	1124	15366	92,96		0,449	
66	229								375	600	1071	15625	87,62	0,041	0,533	6
		255							418	640	1071	15618	88,66		0,527	
			269						439	690	1071	15616	89,11		0,524	
				295					478	750	1065	15500	89,75		0,522	
					308				499	790	1065	15504	90,13		0,520	
						360			581	880	1060	15422	91,33		0,515	
							425		682	940	1055	15319	92,32		0,511	
								457	732	960	1055	15293	92,60		0,509	

* by field weakening at constant power

When required max speed at constant power by field weakening is higher than speed indicated in column “max. rpm”, please contact SICMEMOTORI

Main features

		NP500KML6	NP500KML7
Field power	W	6100	
Inertia	Kgm ²	132,5	134,5
Max mechanical speed	rpm	1600	
Weight IC06	kg	6520	6860
Weight IC17-IC37	kg	6250	6315
Weight IC86W	kg	6900	6695
DE bearing	roller	NU236-C3	
NDE bearing	ball	6236-C3	

Blowers data (3x400 V – 50 Hz)

		IC06	IC17-37	IC86W
Blower ac motor	type	160M4A	--	160M2A
Power	kW	11	--	11
Current	A	21,5	--	20
Poles	N°.	4	--	2
Dissipated losses	kW	--	--	56
Water flow rate	m ³ /h	--	--	13
Water flanges	DIN2566	--	--	DN65
Air flow rate	m ³ /sec	--	3,55	--
Static pressure	Pa	--	1300	--

Motor type NP500KL

IC06-17-37-86W

Wind. N°.	Base speed (rpm)								P (kW)	Max rpm*	I (A)	T (Nm)	η (%)	R _{arm} (Ohm)	L _{arm} (mH)	Select. code
	400	440	460	500	520	600	700	750								
52	464								810	990	2184	16670	92,69	0,010	0,126	7
		514							891	990	2174	16577	93,17		0,126	
			538						931	990	2168	16528	93,36		0,125	
				587					1011	990	2158	16442	93,75		0,125	
					613				1048	990	2148	16354	93,89		0,126	
53	432								785	960	2125	17355	92,39	0,011	0,143	7
		479							865	970	2115	17262	92,96		0,142	
			502						904	980	2109	17213	93,18		0,142	
				549					982	980	2099	17107	93,54		0,142	
					572				1020	980	2094	17052	93,67		0,142	
54						664			1172	960	2072	16869	94,29	0,012	0,143	7
	405								736	960	1998	17376	92,04		0,162	
		448							812	960	1993	17318	92,60		0,161	
			470						849	960	1988	17270	92,87		0,161	
				514					922	970	1977	17166	93,30		0,161	
55					535				958	970	1972	17112	93,47	0,015	0,161	7
						622			1103	860	1956	16949	94,04		0,162	
	379								673	980	1839	16969	91,50		0,188	
		420							743	980	1834	16904	92,09		0,187	
			441						777	980	1829	16852	92,38		0,187	
57				482					846	990	1823	16784	92,79	0,017	0,187	6
					502				880	990	1818	16744	93,07		0,187	
						584			1013	900	1802	16576	93,73		0,187	
	338								622	840	1707	17586	91,15		0,227	
		375							687	840	1701	17508	91,76		0,226	
59			393						721	840	1701	17515	92,10	0,021	0,225	6
				430					784	850	1696	17428	92,50		0,225	
					449				815	850	1691	17367	92,72		0,225	
						522			942	850	1680	17247	93,48		0,224	
							615		1093	850	1659	17002	94,11		0,225	
60								660	1170	870	1654	16937	94,36	0,023	0,225	6
	300								555	910	1537	17676	90,34		0,284	
		333							616	910	1537	17662	91,07		0,281	
			350						644	910	1532	17609	91,47		0,281	
				383					702	920	1526	17519	91,94		0,280	
62					399				731	920	1526	17507	92,15	0,030	0,280	6
						465			846	920	1516	17374	93,01		0,279	
							548		988	920	1505	17235	93,76		0,278	
								589	1054	940	1495	17092	94,00		0,279	
	280								527	770	1463	18008	90,04		0,320	
62		311							584	800	1463	17984	90,74	0,023	0,318	6
			326						611	840	1458	17906	91,07		0,317	
				356					668	880	1458	17894	91,64		0,315	
					372				694	900	1452	17829	91,94		0,315	
						434			806	890	1447	17745	92,80		0,313	
62							511		940	910	1436	17582	93,52	0,030	0,312	6
								550	1007	910	1431	17509	93,83		0,312	
	245								460	690	1293	17991	88,93		0,415	
		272							511	710	1293	17973	89,79		0,410	
			285						536	740	1293	17967	90,16		0,409	
62				313					585	790	1288	17883	90,86	0,030	0,407	6
					326				611	800	1288	17880	91,17		0,405	
						381			709	800	1283	17788	92,15		0,402	
							450		828	790	1272	17604	92,98		0,401	
								483	887	770	1267	17532	93,39		0,401	

* by field weakening at constant power

Motor type NP500KL

IC06-17-37-86W

Wind. N°.	Base speed (rpm)								P (kW)	Max rpm*	I (A)	T (Nm)	η (%)	R _{arm} (Ohm)	L _{arm} (mH)	Select. code
	400	440	460	500	520	600	700	750								
64	216								400	610	1140	17698	87,67	0,039	0,533	6
		241							442	640	1134	17571	88,57		0,529	
			252						464	680	1134	17563	88,99		0,526	
				277					510	720	1134	17582	89,91		0,521	
					289				532	770	1134	17575	90,22		0,519	
						339			618	800	1129	17449	91,24		0,515	
							400		726	810	1124	17357	92,32		0,511	
								430	777	810	1118	17247	92,64		0,510	
66	202								370	580	1065	17521	86,82	0,045	0,610	6
		225							410	600	1060	17422	87,95		0,604	
			237						431	630	1060	17428	88,48		0,601	
				259					473	690	1060	17399	89,20		0,595	
					271				494	730	1060	17405	89,62		0,593	
						317			575	820	1055	17290	90,79		0,587	
							376		675	860	1049	17187	91,92		0,582	
								404	726	880	1049	17163	92,26		0,579	

* by field weakening at constant power

When required max speed at constant power by field weakening is higher than speed indicated in column “max. rpm”, please contact SICMEMOTORI

Main features

		NP500KL6	NP500KL7
Field power	W	6500	
Inertia	Kgm ²	141	143
Max mechanical speed	rpm	1600	
Weight IC06	kg	6870	6935
Weight IC17-IC37	kg	6600	6665
Weight IC86W	kg	7250	7315
DE bearing	roller	NU236-C3	
NDE bearing	ball	6236-C3	

Blowers data (3x400 V – 50 Hz)

		IC06	IC17-37	IC86W
Blower ac motor	type	160M4A	--	160M2A
Power	KW	11	--	11
Current	A	21,5	--	20
Poles	N°.	4	--	2
Dissipated losses	KW	--	--	56
Water flow rate	M ³ /h	--	--	13
Water flanges	DIN2566	--	--	DN65
Air flow rate	m ³ /sec	--	3,55	--
Static pressure	Pa	--	1300	--

Motor type NP500KX

IC06-17-37-86W

Wind. N°.	Base speed (rpm)								P (kW)	Max rpm*	I (A)	T (Nm)	η (%)	R _{arm} (Ohm)	L _{arm} (mH)	Select. code
	400	440	460	500	520	600	700	750								
52	410								803	900	2173	18722	92,42	0,010	0,143	7
		454							885	900	2163	18623	92,97		0,143	
			476						925	900	2158	18569	93,18		0,143	
				519					1004	900	2148	18458	93,53		0,143	
					542				1043	900	2142	18399	93,66		0,143	
53	382								779	890	2115	19490	92,11	0,012	0,162	7
		423							858	890	2104	19366	92,63		0,162	
			444						897	890	2099	19314	92,89		0,162	
				484					976	900	2094	19245	93,27		0,161	
					505				1014	900	2088	19183	93,42		0,161	
54						587			1167	860	2067	18980	94,10	0,162	7	
	357								729	880	1988	19508	91,73	0,185		
		396							805	880	1982	19424	92,25	0,184		
			416						842	880	1977	19374	92,55	0,184		
				453					917	880	1972	19312	93,01	0,183		
55					473				953	860	1966	19251	93,20	0,183	7	
						550			1098	770	1950	19070	93,84	0,183		
	335								667	880	1829	19040	91,16	0,214		
		371							737	890	1823	18974	91,83	0,213		
			389						772	900	1823	18948	92,01	0,212		
57			425						838	890	1813	18824	92,51	0,212	7	
				444					875	870	1813	18830	92,78	0,212		
					517				1007	790	1797	18625	93,41	0,212		
	298								615	770	1696	19694	90,63	0,259		
		331							682	770	1696	19683	91,34	0,257		
59			348						713	770	1691	19631	91,73	0,257	6	
				380					777	780	1685	19542	92,20	0,256		
					396				810	780	1685	19531	92,40	0,255		
						461			937	780	1675	19400	93,25	0,254		
							544		1091	790	1659	19185	93,93	0,254		
60								584	1164	790	1648	19039	94,15	0,255	6	
	265								549	770	1526	19818	89,93	0,324		
		294							608	790	1526	19779	90,59	0,321		
			309						637	820	1521	19722	91,05	0,321		
				338					696	840	1521	19696	91,57	0,319		
62				352					724	840	1516	19622	91,85	0,319	6	
					411				841	850	1511	19539	92,75	0,317		
						484			982	850	1500	19366	93,49	0,316		
							521		1052	860	1495	19289	93,81	0,316		
66	247								519	700	1452	20146	89,42	0,366	6	
		274							577	730	1452	20133	90,25	0,363		
			287						605	770	1452	20126	90,61	0,361		
				315					660	810	1447	20047	91,28	0,360		
					328				689	820	1447	20045	91,58	0,358		
68					383				797	830	1436	19872	92,50	0,357	6	
						451			934	830	1431	19755	93,23	0,355		
							486		1001	830	1426	19675	93,58	0,355		
70	216								453	610	1283	20109	88,22	0,475	6	
		239							504	640	1283	20107	89,22	0,470		
			251						529	680	1283	20105	89,65	0,467		
				276					577	720	1277	19985	90,29	0,465		
					287				602	730	1277	19990	90,65	0,463		
72						336			700	730	1272	19877	91,67	0,460	6	
							397		822	700	1267	19776	92,65	0,456		
								427	880	680	1261	19674	93,00	0,456		

* by field weakening at constant power

Motor type NP500KX

IC06-17-37-86W

Wind. N°.	Base speed (rpm)							P (kW)	Max rpm*	I (A)	T (Nm)	η (%)	R _{arm} (Ohm)	L _{arm} (mH)	Select. code
	400	440	460	500	520	600	700								
64	189							392	550	1129	19746	86,85	0,042	0,612	6
		212						437	570	1129	19729	87,92		0,604	
			222					459	600	1129	19722	88,39		0,600	
				245				501	650	1124	19616	89,25		0,597	
					255			524	680	1124	19615	89,62		0,594	
						299		610	740	1118	19501	90,84		0,589	
							353	720	740	1118	19484	91,94		0,581	
66							381	771	740	1113	19365	92,32	0,581	6	
	178							364	510	1055	19592	86,18	0,701		
		198						405	540	1055	19559	87,25	0,691		
			208					426	580	1055	19569	87,83	0,687		
				228				467	620	1055	19542	88,64	0,680		
					239			485	660	1049	19413	88,97	0,679		
						280		568	750	1049	19393	90,24	0,669		
						331	669	800	1044	19290	91,52	0,663			
						357	720	800	1044	19267	91,91	0,659			

* by field weakening at constant power

When required max speed at constant power by field weakening is higher than speed indicated in column "max. rpm", please contact SICMEMOTORI

Main features

		NP500KX6	NP500KX7
Field power	W	7000	
Inertia	Kgm ²	150	152
Max mechanical speed	rpm	1600	
Weight IC06	kg	7270	7335
Weight IC17-IC37	kg	7000	7065
Weight IC86W	kg	7650	7715
DE bearing	roller	NU236-C3	
NDE bearing	ball	6236-C3	

Blowers data (3x400 V – 50 Hz)

		IC06	IC17-37	IC86W
Blower ac motor	type	160M4A	--	160M2A
Power	kW	11	--	11
Current	A	21,5	--	20
Poles	N°.	4	--	2
Dissipated losses	kW	--	--	56
Water flow rate	m ³ /h	--	--	13
Water flanges	DIN2566	--	--	DN65
Air flow rate	m ³ /sec	--	3,55	--
Static pressure	Pa	--	1300	--

Motor type NP560KRS

IC06-17-37-86W

Wind. N°.	Base speed (rpm)								P (kW)	Max rpm*	I (A)	T (Nm)	η (%)	R _{arm} (Ohm)	L _{arm} (mH)	Select. code	
	400	440	460	500	520	600	700	750									
44	788								823	1350	2205	9965	93,27	0,008	0,075	8	
		872							907	1350	2205	9945	93,53		0,075		
			914						951	1350	2205	9948	93,75		0,075		
				996					1037	1350	2205	9943	94,04		0,075		
					1038				1079	1350	2205	9935	94,12		0,074		
						1204			1244	1350	2194	9876	94,53		0,074		
45	740								771	1350	2078	9956	92,73	0,009	0,085	8	
		817							852	1350	2078	9957	93,23		0,085		
			857						890	1350	2072	9927	93,41		0,085		
				936					966	1350	2062	9862	93,68		0,085		
					975				1003	1350	2056	9829	93,77		0,085		
						1132			1148	1380	2030	9692	94,26		0,086		
46	698								728	1350	1966	9965	92,59	0,010	0,095	8	
		772							806	1350	1966	9967	93,11		0,095		
			810						844	1350	1966	9962	93,28		0,095		
				883					920	1350	1966	9952	93,58		0,094		
					920				958	1350	1966	9947	93,72		0,094		
						1069			1102	1370	1950	9856	94,20		0,094		
48									1270	1390	1919	9672	94,55	0,095	0,012	0,119	8
	628								650	1320	1760	9891	92,32	0,118			
		694							719	1320	1760	9886	92,83	0,118			
			728						753	1320	1760	9878	92,98	0,117			
				795					822	1320	1760	9876	93,37	0,117			
					828				855	1320	1760	9869	93,49	0,116			
50									992	1320	1760	9856	93,98	0,115	0,016	0,149	6
									1163	1320	1760	9841	94,41	0,147			
									1249	1320	1760	9840	94,62	0,147			
	548								587	1320	1601	10243	91,72	0,147			
		607							650	1320	1601	10233	92,26	0,148			
			636						681	1320	1601	10221	92,43	0,148			
51									743	1320	1601	10214	92,85	0,147	0,017	0,169	6
									775	1320	1601	10218	93,10	0,168			
									843	1330	1595	10170	93,69	0,167			
									897	1330	1595	10170	93,69	0,166			
									990	1340	1579	10054	94,25	0,166			
									1064	1350	1569	9975	94,41	0,164			
52									1111	1350	1569	9975	94,41	0,163	0,021	0,193	6
									553	1300	1511	10297	91,58	0,192			
									612	1300	1511	10274	92,03	0,192			
									641	1300	1511	10273	92,30	0,191			
									701	1300	1511	10271	92,77	0,191			
									730	1300	1511	10269	92,98	0,190			
52									848	1300	1511	10254	93,57	0,190	0,021	0,191	6
									884	1300	1511	10254	93,57	0,190			
									928	1300	1511	10242	94,14	0,190			
									998	1300	1511	10232	94,32	0,190			
									1068	1300	1511	10232	94,32	0,190			
									971	1330	1378	9900	93,95	0,190			

* by field weakening at constant power

Motor type NP560KRS

IC06-17-37-86W

Wind. N°.	Base speed (rpm)								P (kW)	Max rpm*	I (A)	T (Nm)	η (%)	R _{arm} (Ohm)	L _{arm} (mH)	Select. Code
	400	440	460	500	520	600	700	750								
53	452								485	1270	1341	10249	90,51	0,023	0,216	6
		502							538	1270	1341	10250	91,27		0,214	
			526						565	1270	1341	10251	91,60		0,213	
				576					617	1270	1341	10233	92,02		0,212	
					601				643	1270	1341	10235	92,28		0,212	
						699			748	1270	1341	10224	93,02		0,210	
							823		876	1280	1336	10166	93,65		0,209	
								884	937	1280	1330	10119	93,92		0,209	
54	426								443	1110	1230	9923	90,09	0,027	0,250	6
		474							491	1150	1230	9904	90,71		0,248	
			497						515	1200	1230	9906	91,08		0,247	
				544					563	1210	1230	9891	91,55		0,245	
					567				587	1210	1230	9894	91,84		0,244	
						661			684	1210	1230	9886	92,67		0,242	
							778		803	1210	1230	9869	93,35		0,240	
								837	863	1210	1230	9857	93,56		0,239	

* by field weakening at constant power

When required max speed at constant power by field weakening is higher than speed indicated in column “max. rpm”, please contact SICMEMOTORI

Main features

		NP560KRS6	NP560KRS8
Field power	W	4600	
Inertia	Kgm ²	121	123
Max mechanical speed	rpm	1600	
Weight IC06	kg	5430	5510
Weight IC17-IC37	kg	5690	5210
Weight IC86W	kg	6490	6010
DE bearing	roller	NU236-C3	
NDE bearing	ball	6236-C3	

Blowers data (3x400 V – 50 Hz)

		IC06	IC17-37	IC86W
Blower ac motor	type	160M4A	--	160M4A
Power	kW	11	--	11
Current	A	21,5	--	21,5
Poles	N°.	4	--	4
Dissipated losses	kW	--	--	56
Water flow rate	m ³ /h	--	--	13
Water flanges	DIN2566	--	--	DN65
Air flow rate	m ³ /sec	--	4,17	--
Static pressure	Pa	--	1300	--

Motor type NP560KRM

IC06-17-37-86W

Wind. N°.	Base speed (rpm)								P (kW)	Max rpm*	I (A)	T (Nm)	η (%)	R _{arm} (Ohm)	L _{arm} (mH)	Select. code				
	400	440	460	500	520	600	700	750												
44	698								822	1300	2205	11243	93,15	0,008	0,085	8				
		772							907	1300	2205	11234	93,53				0,085			
			809						950	1300	2205	11223	93,65					0,084		
				883					1036	1300	2205	11216	93,94						0,084	
					919				1079	1300	2205	11218	94,12							0,084
						1067			1248	1300	2200	11177	94,54							
45	654								770	1270	2078	11234	92,60	0,010	0,096	8				
		724							851	1280	2078	11234	93,11				0,096			
			759						889	1290	2072	11199	93,29					0,096		
				828					966	1290	2062	11137	93,68						0,096	
					863				1003	1300	2056	11098	93,77							0,096
						1003			1151	1310	2035	10971	94,27							
						1177		1327	1330	2003	10776	94,63	0,097							
46	617								727	1270	1966	11244	92,45	0,011	0,108	8				
		683							805	1270	1966	11246	92,99				0,107			
			717						843	1270	1966	11238	93,17					0,107		
				783					919	1270	1966	11227	93,48						0,106	
					815				957	1270	1966	11222	93,61							0,106
						947			1105	1280	1956	11148	94,13							
						1112		1277	1290	1929	10981	94,58	0,107							
48	555								649	1230	1760	11161	92,17	0,013	0,134	8				
		615							718	1230	1760	11155	92,69				0,133			
			645						752	1230	1760	11145	92,85					0,132		
				704					820	1230	1760	11142	93,25						0,131	
					733				854	1230	1760	11133	93,37							0,130
						851			992	1230	1760	11129	93,98							
						1000		1163	1230	1760	11110	94,41	0,130							
							1074	1249	1230	1760	11107	94,62	0,130							
50	484								585	1230	1601	11541	91,39	0,017	0,169	6				
		537							649	1230	1601	11549	92,11				0,167			
			563						679	1230	1601	11535	92,28					0,166		
				616					742	1230	1601	11526	92,72						0,165	
					641				774	1230	1601	11529	92,97							0,166
						746			896	1240	1595	11474	93,58							
						877		1041	1250	1579	11342	94,15	0,166							
							943	1114	1260	1574	11295	94,37	0,166							
51	454								551	1210	1511	11600	91,23	0,018	0,191	6				
		503							611	1210	1511	11596	91,87				0,189			
			527						640	1210	1511	11594	92,14					0,188		
				577					700	1210	1511	11589	92,63						0,186	
					601				729	1210	1511	11588	92,85							0,185
						700			847	1210	1511	11569	93,45							
						822		994	1210	1511	11553	94,04	0,184							
							883	1068	1210	1511	11552	94,32	0,184							
52	424								510	1060	1410	11492	90,41	0,022	0,219	6				
		470							565	1100	1410	11481	91,08				0,217			
			493						593	1150	1410	11476	91,37					0,215		
				540					646	1200	1405	11427	91,92						0,215	
					563				673	1200	1405	11425	92,16							0,215
						656			778	1220	1394	11335	93,03							
						772		907	1230	1383	11232	93,71	0,215							
							830	971	1240	1378	11179	93,95	0,215							

* by field weakening at constant power

Motor type NP560KRM

IC06-17-37-86W

Wind. N°.	Base speed (rpm)								P (kW)	Max rpm*	I (A)	T (Nm)	η (%)	R _{arm} (Ohm)	L _{arm} (mH)	Select. code
	400	440	460	500	520	600	700	750								
53	400								484	1060	1341	11573	90,32	0,024	0,244	6
		444							537	1100	1341	11572	91,09		0,242	
			466						563	1150	1341	11549	91,25		0,241	
				510					616	1190	1341	11550	91,86		0,240	
					531				642	1190	1341	11551	92,13		0,239	
						619			747	1190	1341	11536	92,89		0,237	
							728		875	1190	1336	11468	93,54		0,236	
								783	936	1200	1330	11415	93,81		0,236	
54	377								441	960	1230	11181	89,66	0,028	0,283	6
		418							490	1000	1230	11184	90,52		0,280	
			439						514	1050	1230	11185	90,89		0,279	
				481					562	1100	1230	11167	91,38		0,277	
					502				586	1130	1230	11168	91,68		0,276	
						584			683	1130	1230	11157	92,53		0,273	
							688		802	1130	1230	11136	93,23		0,271	
								741	863	1130	1230	11134	93,56		0,270	

* by field weakening at constant power

When required max speed at constant power by field weakening is higher than speed indicated in column "max. rpm", please contact SICMEMOTORI

Main features

		NP560KRM6	NP560KRM8
Field power	W	4800	
Inertia	Kgm ²	129	131
Max mechanical speed	rpm	1600	
Weight IC06	kg	5700	5780
Weight IC17-IC37	kg	5400	5480
Weight IC86W	kg	6200	6280
DE bearing	roller	NU236-C3	
NDE bearing	ball	6236-C3	

Blowers data (3x400 V – 50 Hz)

		IC06	IC17-37	IC86W
Blower ac motor	type	160M4A	--	160M4A
Power	KW	11	--	11
Current	A	21,5	--	21,5
Poles	N°.	4	--	4
Dissipated losses	kW	--	--	56
Water flow rate	m ³ /h	--	--	13
Water flanges	DIN2566	--	--	DN65
Air flow rate	m ³ /sec	--	4,17	--
Static pressure	Pa	--	1300	--

Motor type NP560KR

IC06-17-37-86W

Wind. N°.	Base speed (rpm)								P (kW)	Max rpm*	I (A)	T (Nm)	η (%)	R _{arm} (Ohm)	L _{arm} (mH)	Select. code
	400	440	460	500	520	600	700	750								
44	617								820	1210	2205	12688	93,03	0,009	0,096	8
		683							906	1210	2205	12674	93,42		0,096	
			716						949	1210	2205	12662	93,54		0,095	
				782					1036	1210	2205	12665	93,94		0,095	
					814				1078	1210	2205	12654	94,03		0,095	
						945			1247	1210	2200	12606	94,46		0,095	
45	580								769	1200	2078	12677	92,47	0,010	0,109	8
		641							848	1200	2072	12641	93,00		0,109	
			672						888	1200	2072	12634	93,18		0,108	
				734					965	1200	2062	12563	93,57		0,108	
					764				1002	1210	2056	12520	93,68		0,108	
						888			1153	1220	2041	12408	94,20		0,108	
46							1043		1335	1230	2014	12230	94,66	0,011	0,122	8
	547								726	1180	1966	12690	92,32		0,121	
		605							803	1180	1966	12689	92,87		0,121	
			634						842	1180	1966	12680	93,05		0,121	
				692					918	1180	1966	12666	93,37		0,120	
					721				957	1180	1966	12674	93,61		0,120	
48						839			1105	1190	1956	12586	94,13	0,014	0,120	8
							984		1277	1210	1929	12394	94,58		0,121	
	491								648	1150	1760	12597	92,02		0,152	
		544							717	1150	1760	12588	92,55		0,151	
			570						750	1150	1760	12576	92,72		0,150	
				622					819	1150	1760	12571	93,13		0,149	
50					650				853	1150	1760	12561	93,26	0,018	0,149	6
						754			991	1150	1760	12554	93,88		0,148	
							885		1163	1150	1760	12542	94,41		0,147	
							951		1248	1150	1760	12526	94,54		0,147	
	428								584	1060	1601	13031	91,23		0,191	
		475							647	1100	1601	13016	91,81		0,190	
51			498						678	1150	1601	13020	92,14	0,019	0,189	6
				545					741	1150	1601	13008	92,58		0,188	
					567				772	1150	1601	12994	92,72		0,188	
						660			895	1150	1595	12944	93,47		0,187	
							777		1040	1160	1579	12793	94,06		0,187	
								835	1113	1170	1574	12739	94,28		0,187	
52	401								550	1100	1511	13099	91,05	0,023	0,216	6
		445							610	1100	1511	13091	91,71		0,215	
			467						639	1100	1511	13087	91,99		0,214	
				511					699	1130	1511	13081	92,49		0,213	
					532				727	1130	1511	13059	92,58		0,212	
						619			846	1130	1511	13052	93,33		0,210	
52						728			993	1130	1511	13033	93,93	0,023	0,208	6
							783		1067	1130	1511	13032	94,22		0,208	
	375								509	960	1410	12979	90,23		0,248	
		416							562	1000	1405	12911	90,91		0,247	
			436						589	1050	1405	12906	91,22		0,246	
				478					642	1100	1399	12853	91,82		0,245	
52				498					670	1130	1399	12852	92,07	0,023	0,244	6
					581				776	1140	1394	12773	92,78		0,243	
						683			906	1150	1383	12671	93,60		0,243	
							735		970	1150	1378	12610	93,85		0,243	

* by field weakening at constant power

Motor type NP560KR

IC06-17-37-86W

Wind. N°.	Base speed (rpm)								P (kW)	Max rpm*	I (A)	T (Nm)	η (%)	R _{arm} (Ohm)	L _{arm} (mH)	Select. code
	400	440	460	500	520	600	700	750								
53	353								482	950	1341	13043	89,92	0,025	0,277	6
		392							535	970	1341	13042	90,73		0,274	
			412						562	1000	1341	13040	91,08		0,273	
				450					615	1100	1341	13039	91,70		0,271	
					470				640	1100	1341	13018	91,82		0,270	
						548			745	1100	1341	13000	92,62		0,268	
							645		873	1100	1336	12939	93,42		0,266	
								694	935	1120	1330	12877	93,71		0,266	
54	333								440	860	1230	12633	89,44	0,030	0,320	6
		370							488	900	1230	12606	90,13		0,317	
			388						512	950	1230	12607	90,52		0,316	
				425					560	1040	1230	12586	91,03		0,314	
					444				584	1040	1230	12587	91,35		0,313	
						517			681	1040	1230	12574	92,24		0,309	
							610		801	1040	1230	12567	93,10		0,306	
								655	861	1040	1230	12548	93,33		0,305	

* by field weakening at constant power

When required max speed at constant power by field weakening is higher than speed indicated in column “max. rpm”, please contact SICMEMOTORI

Main features

		NP560KR6	NP560KR8
Field power	W	5000	
Inertia	Kgm ²	138	140
Max mechanical speed	rpm	1600	
Weight IC06	kg	5990	6070
Weight IC17-IC37	kg	5690	5770
Weight IC86W	kg	6490	6570
DE bearing	roller	NU236-C3	
NDE bearing	ball	6236-C3	

Blowers data (3x400 V – 50 Hz)

		IC06	IC17-37	IC86W
Blower ac motor	type	160M4A	--	160M4A
Power	kW	11	--	11
Current	A	21.5	--	21.5
Poles	N°.	4	--	4
Dissipated losses	kW	--	--	93
Water flow rate	m ³ /h	--	--	16
Water flanges	DIN2566	--	--	DN65
Air flow rate	m ³ /sec	--	4,17	--
Static pressure	Pa	--	1300	--

Motor type NP560KS

IC06-17-37-86W

Wind. N°.	Base speed (rpm)								P (kW)	Max rpm*	I (A)	T (Nm)	η (%)	R _{arm} (Ohm)	L _{arm} (mH)	Select. code				
	400	440	460	500	520	600	700	750												
44	548								818	1120	2205	14280	92,79	0,009	0,109	8				
		606							905	1120	2205	14281	93,31				0,108			
			635						948	1120	2205	14265	93,44					0,107		
				693					1034	1120	2205	14253	93,75						0,107	
					722				1077	1120	2205	14255	93,93							0,107
						838			1246	1130	2200	14198	94,38							
45	514								767	1100	2078	14287	92,35	0,011	0,123	8				
		568							847	1110	2072	14245	92,89				0,122			
			595						885	1120	2067	14200	93,09					0,122		
				650					964	1120	2062	14154	93,47						0,122	
					678				1001	1120	2056	14103	93,58							0,122
						787			1152	1130	2041	13975	94,11							
						925		1338	1140	2019	13817	94,64	0,123							
46	484								725	1100	1966	14304	92,18	0,012	0,138	8				
		536							801	1100	1966	14281	92,62				0,137			
			562						841	1100	1966	14288	92,93					0,136		
				614					917	1100	1966	14270	93,26						0,135	
					640				955	1100	1966	14262	93,41							0,135
						744			1103	1110	1956	14178	94,04							
						874		1279	1120	1935	13994	94,48	0,136							
48	435								646	1070	1760	14178	91,72	0,014	0,171	8				
		482							714	1070	1760	14168	92,28				0,170			
			505						749	1070	1760	14174	92,59					0,170		
				552					818	1070	1760	14165	93,01						0,169	
					576				852	1070	1760	14153	93,14							0,168
						669			990	1070	1760	14142	93,78							
						785		1162	1070	1760	14126	94,32	0,166							
							845	1248	1070	1760	14119	94,54	0,165							
50	379								582	960	1601	14669	90,89	0,019	0,216	6				
		420							644	1000	1601	14652	91,51				0,214			
			441						676	1050	1601	14655	91,85					0,212		
				483					739	1070	1601	14641	92,32						0,212	
					503				771	1060	1601	14645	92,59							0,211
						585			890	1070	1590	14532	93,33							
						688		1039	1080	1579	14411	93,96	0,211							
							741	1112	1080	1574	14350	94,19	0,211							
51	355								548	950	1511	14746	90,70	0,020	0,244	6				
		394							607	980	1511	14736	91,39				0,242			
			414						637	1030	1511	14732	91,69					0,241		
				452					696	1050	1511	14724	92,21						0,240	
					471				726	1050	1511	14720	92,44							0,239
						549			844	1050	1511	14690	93,10							
						646		992	1050	1511	14683	93,83	0,235							
							694	1066	1050	1511	14679	94,13	0,234							
52	331								505	890	1405	14547	89,81	0,024	0,282	6				
		368							560	920	1405	14534	90,57				0,279			
			386						585	960	1399	14472	90,91					0,279		
				423					640	1050	1399	14467	91,52						0,277	
					441				668	1050	1399	14465	91,78							0,276
						515			775	1060	1394	14395	92,65							
						606		904	1070	1383	14260	93,38	0,274							
							651	969	1070	1378	14207	93,74	0,274							
53	313								481	850	1341	14717	89,72	0,026	0,313	6				
		347							533	880	1341	14681	90,37				0,310			
			364						560	920	1341	14680	90,74					0,309		
				399					613	1000	1341	14678	91,38						0,306	
					417				639	1030	1341	14677	91,67							0,305
						485			744	1030	1341	14653	92,49							
						572		869	1040	1330	14523	93,34	0,301							
							615	934	1040	1330	14508	93,60	0,300							

Motor type NP560KS

IC06-17-37-86W

Wind. N°.	Base speed (rpm)								P (kW)	Max rpm*	I (A)	T (Nm)	η (%)	R _{arm} (Ohm)	L _{arm} (mH)	Select. code	
	400	440	460	500	520	600	700	750									
54	294								438	780	1230	14227	89,01	0,031	0,362	6	
		327							485	810	1230	14194	89,73				0,359
			343						510	850	1230	14196	90,14				0,357
				376					559	900	1230	14197	90,86				0,354
					392				582	970	1230	14172	91,01				0,353
						458			678	970	1230	14155	91,95				0,349
							540		799	970	1230	14145	92,86				0,345
								581	855	970	1224	14068	93,16				0,345

* by field weakening at constant power

When required max speed at constant power by field weakening is higher than speed indicated in column "max. rpm", please contact SICMEMOTORI

Main features

		NP560KS6	NP560KS8
Field power	W	5300	
Inertia	Kgm ²	148	150
Max mechanical speed	rpm	1600	
Weight IC06	kg	6350	6430
Weight IC17-IC37	kg	6050	6130
Weight IC86W	kg	6850	6930
DE bearing	roller	NU236-C3	
NDE bearing	ball	6236-C3	

Blowers data (3x400 V – 50 Hz)

		IC06	IC17-37	IC86W
Blower ac motor	type	160M4A	--	160M4A
Power	kW	11	--	11
Current	A	21,5	--	21,5
Poles	N°.	4	--	4
Dissipated losses	kW	--	--	93
Water flow rate	m ³ /h	--	--	16
Water flanges	DIN2566	--	--	DN65
Air flow rate	m ³ /sec	--	4,17	--
Static pressure	Pa	--	1300	--

Motor type NP560KSM

IC06-17-37-86W

Wind. N°.	Base speed (rpm)								P (kW)	Max rpm*	I (A)	T (Nm)	η (%)	R _{arm} (Ohm)	L _{arm} (mH)	Select. code
	400	440	460	500	520	600	700	750								
44	491								817	1050	2205	15894	92,67	0,010	0,121	8
		544							903	1050	2205	15875	93,09		0,120	
			570						947	1050	2205	15875	93,33		0,120	
				622					1032	1050	2205	15858	93,65		0,119	
					649				1076	1050	2205	15859	93,84		0,119	
						752			1244	1040	2200	15794	94,30		0,119	
45	460								764	1040	2072	15857	92,20	0,012	0,137	8
		510							843	1040	2067	15791	92,66		0,137	
			535						883	1040	2067	15783	92,87		0,136	
				583					961	1050	2062	15732	93,26		0,136	
					609				1000	1050	2056	15691	93,48		0,136	
						708			1151	1060	2041	15546	94,03		0,136	
46							831		1337	1070	2019	15366	94,56	0,013	0,137	8
	434								723	1030	1966	15900	91,91		0,153	
		482							800	1030	1966	15894	92,50		0,152	
			505						838	1030	1966	15882	92,70		0,152	
				551					916	1030	1966	15880	93,15		0,151	
					575				954	1030	1966	15870	93,30		0,151	
48						668			1101	1040	1956	15757	93,86	0,015	0,151	8
							784		1279	1050	1935	15578	94,48		0,151	
	390								644	1000	1760	15786	91,57		0,191	
		432							713	1000	1760	15772	92,14		0,190	
			453						747	1000	1760	15755	92,33		0,189	
				495					816	1000	1760	15745	92,77		0,188	
50									851	1000	1760	15750	93,03	0,019	0,187	6
						601			989	1000	1760	15735	93,67		0,186	
							706		1161	1000	1760	15713	94,23		0,185	
								758	1247	1000	1760	15704	94,46		0,184	
	340								580	910	1601	16310	90,56		0,241	
		377							643	950	1601	16317	91,36		0,239	
51			395						674	1000	1601	16293	91,56	0,021	0,238	6
				433					735	1000	1595	16226	92,09		0,237	
					451				766	1000	1595	16232	92,38		0,237	
						525			888	1000	1590	16152	93,11		0,235	
							618		1038	1000	1579	16033	93,86		0,235	
								665	1111	1000	1574	15963	94,10		0,235	
52	318								546	850	1511	16396	90,35	0,026	0,273	6
		353							605	880	1511	16382	91,07		0,270	
			371						635	920	1511	16377	91,38		0,269	
				405					694	980	1511	16368	91,93		0,268	
					422				724	980	1511	16364	92,17		0,267	
						492			843	980	1511	16350	92,98		0,264	
52						580			990	980	1511	16320	93,63	0,026	0,262	6
							623		1064	980	1511	16316	93,94		0,261	
	297								501	800	1320	14779	89,58		0,315	
		330							525	830	1320	14768	90,39		0,312	
			347						550	870	1320	14737	90,58		0,311	
				380					600	950	1315	14678	91,25		0,310	
52					396				626	990	1315	14678	91,55	0,026	0,309	6
						461			727	990	1310	14613	92,49		0,307	
							544		852	990	1305	14534	93,27		0,305	
								585	912	990	1300	14461	93,54		0,305	

* by field weakening at constant power

Motor type NP560KSM

IC06-17-37-86W

Wind. N°.	Base speed (rpm)								P (kW)	Max rpm*	I (A)	T (Nm)	η (%)	R _{arm} (Ohm)	L _{arm} (mH)	Select. code
	400	440	460	500	520	600	700	750								
53	280								452	750	1265	14989	89,33	0,028	0,349	6
		311							501	780	1265	14952	90,01		0,346	
			326						526	820	1265	14950	90,39		0,344	
				357					576	880	1265	14947	91,07		0,342	
					373				601	920	1265	14946	91,37		0,341	
						435			697	960	1260	14852	92,20		0,338	
							514		818	970	1255	14786	93,11		0,336	
								552	876	970	1250	14716	93,44		0,336	
54	263								411	720	1160	14493	88,58	0,033	0,405	6
		292							456	750	1160	14459	89,34		0,401	
			308						479	790	1160	14459	89,77		0,399	
				337					525	830	1160	14459	90,52		0,396	
					351				547	870	1160	14433	90,68		0,394	
						411			639	900	1160	14437	91,81		0,389	
							484		749	900	1155	14342	92,64		0,387	
								521	806	900	1155	14341	93,04		0,385	

* by field weakening at constant power

When required max speed at constant power by field weakening is higher than speed indicated in column “max. rpm”, please contact SICMEMOTORI

Main features

		NP560KSM6	NP560KSM8
Field power	W	5600	
Inertia	Kgm ²	158	160
Max mechanical speed	rpm	1500	
Weight IC06	kg	6700	6780
Weight IC17-IC37	kg	6400	6480
Weight IC86W	kg	7230	7310
DE bearing	roller	NU238-C3	
NDE bearing	ball	6238-C3	

Blowers data (3x400 V – 50 Hz)

		IC06	IC17-37	IC86W
Blower ac motor	type	160M4A	--	160M4A
Power	kW	11	--	11
Current	A	21.5	--	21.5
Poles	N°.	4	--	4
Dissipated losses	kW	--	--	93
Water flow rate	m ³ /h	--	--	16
Water flanges	DIN2566	--	--	DN65
Air flow rate	m ³ /sec	--	4,17	--
Static pressure	Pa	--	1300	--

Motor type NP560KM

IC06-17-37-86W

Wind. N°.	Base speed (rpm)								P (kW)	Max rpm*	I (A)	T (Nm)	η (%)	R _{arm} (Ohm)	L _{arm} (mH)	Select. code
	400	440	460	500	520	600	700	750								
44	437								747	970	2205	17821	92,43	0,010	0,136	8
		483							825	970	2205	17797	92,88		0,135	
			507						865	970	2205	17796	93,12		0,135	
				553					944	970	2205	17777	93,46		0,134	
					577				983	970	2205	17778	93,66		0,134	
						671			1136	930	2194	17670	94,20		0,134	
45	410								698	970	2072	17779	91,94	0,012	0,154	8
		453							770	970	2067	17702	92,42		0,154	
			476						805	970	2062	17647	92,66		0,154	
				519					877	970	2056	17592	93,09		0,153	
					542				912	980	2051	17547	93,32		0,153	
						630			1053	980	2041	17438	93,94		0,153	
46							741		1226	980	2025	17276	94,47	0,013	0,173	8
	386								660	950	1966	17828	91,64		0,171	
		428							731	950	1966	17820	92,26		0,171	
			449						766	950	1966	17806	92,46		0,170	
				490					837	950	1966	17802	92,94		0,170	
					512				870	960	1961	17747	93,14		0,169	
48									1005	960	1950	17624	93,75	0,016	0,215	8
							699		1170	970	1935	17457	94,32		0,213	
	347								588	920	1760	17702	91,27		0,212	
		384							651	920	1760	17684	91,87		0,211	
			403						683	920	1760	17664	92,06		0,211	
				441					746	920	1760	17651	92,53		0,209	
50									904	920	1760	17637	93,47	0,021	0,271	6
							628		1061	920	1760	17611	94,06		0,270	
	302								529	800	1601	18296	90,23		0,269	
		335							584	820	1595	18205	90,91		0,267	
			351						614	860	1595	18210	91,29		0,265	
				384					671	900	1595	18195	91,83		0,264	
51									697	930	1590	18121	92,05	0,023	0,307	6
									810	930	1585	18062	92,98		0,304	
								550	949	930	1579	17971	93,67		0,303	
									992	930	1574	17891	93,92		0,301	
									1016	930	1574	17891	93,92		0,300	
									592	930	1574	17891	93,92		0,297	
52	283								498	760	1511	18392	90,00	0,027	0,348	6
		314							552	790	1511	18375	90,75		0,345	
			329						580	830	1511	18367	91,08		0,343	
				360					634	860	1511	18354	91,65		0,342	
					376				661	900	1511	18349	91,90		0,355	
						438			770	910	1511	18330	92,75		0,353	
52									906	910	1511	18314	93,53	0,027	0,351	6
									970	910	1505	18231	93,80		0,349	
	263								498	700	1399	18064	89,02		0,348	
		293							551	730	1394	17976	89,87		0,345	
			308						579	770	1394	17974	90,26		0,343	
				337					634	830	1394	17972	90,95		0,342	
52									661	860	1394	17970	91,25	0,027	0,342	6
									767	920	1389	17863	92,11		0,343	
									901	920	1383	17788	93,05		0,343	
									901	920	1383	17788	93,05		0,343	
									901	920	1383	17788	93,05		0,343	
									965	920	1378	17697	93,33		0,342	

* by field weakening at constant power

Motor type NP560KM

IC06-17-37-86W

Wind. N°.	Base speed (rpm)								P (kW)	Max rpm*	I (A)	T (Nm)	η (%)	R _{arm} (Ohm)	L _{arm} (mH)	Select. Code
	400	440	460	500	520	600	700	750								
53	249								476	650	1341	18321	88,74	0,029	0,394	6
		276							529	680	1341	18314	89,65		0,390	
			290						555	720	1341	18309	90,05		0,388	
				317					606	780	1336	18233	90,79		0,386	
					332				632	820	1336	18204	90,96		0,385	
						387			737	890	1336	18182	91,93		0,380	
							456		865	890	1330	18098	92,89		0,377	
								491	926	900	1325	18010	93,23		0,377	
54	233								432	630	1230	17719	87,93	0,035	0,457	6
		259							481	650	1230	17716	88,95		0,452	
			273						506	680	1230	17713	89,39		0,449	
				299					553	720	1230	17677	90,00		0,445	
					313				578	780	1230	17677	90,35		0,444	
						365			674	830	1230	17651	91,38		0,438	
							431		792	830	1224	17557	92,39		0,435	
								464	848	840	1219	17463	92,75		0,434	

* by field weakening at constant power

When required max speed at constant power by field weakening is higher than speed indicated in column “max. rpm”, please contact SICMEMOTORI

Main features

		NP560KM6	NP560KM8
Field power	W	6000	
Inertia	Kgm ²	170	172
Max mechanical speed	rpm	1500	
Weight IC06	kg	7120	7200
Weight IC17-IC37	kg	6820	6900
Weight IC86W	kg	7650	7730
DE bearing	roller	NU238-C3	
NDE bearing	ball	6238-C3	

Blowers data (3x400 V – 50 Hz)

		IC06	IC17-37	IC86W
Blower ac motor	type	160M4A	--	160M4A
Power	kW	11	--	11
Current	A	21.5	--	21.5
Poles	N°.	4	--	4
Dissipated losses	kW	--	--	93
Water flow rate	m ³ /h	--	--	16
Water flanges	DIN2566	--	--	DN65
Air flow rate	m ³ /sec	--	4,17	--
Static pressure	Pa	--	1300	--

Motor type NP560KML

IC06-17-37-86W

Wind. N°.	Base speed (rpm)								P (kW)	Max rpm*	I (A)	T (Nm)	η (%)	R _{arm} (Ohm)	L _{arm} (mH)	Select. code
	400	440	460	500	520	600	700	750								
44	386								812	900	2205	20057	92,07	0,011	0,154	8
		428							899	900	2205	20053	92,66		0,153	
			450						942	900	2205	20051	92,91		0,152	
				490					1028	900	2205	20027	93,27		0,151	
					512				1072	900	2205	20026	93,47		0,151	
						594			1238	830	2194	19899	94,04		0,151	
45	362								757	880	2067	19948	91,54	0,013	0,175	8
		402							836	890	2062	19893	92,19		0,174	
			421						875	900	2056	19830	92,45		0,174	
				460					953	900	2051	19769	92,92		0,173	
					481				993	900	2051	19766	93,12		0,173	
						558			1148	900	2041	19638	93,77		0,172	
46							656		1337	910	2025	19452	94,32	0,014	0,173	8
	342								719	880	1966	20093	91,37		0,195	
		379							795	880	1966	20055	91,89		0,194	
			397						834	880	1966	20064	92,23		0,193	
				434					908	880	1961	19982	92,65		0,192	
					452				948	880	1961	19993	92,93		0,192	
48						527			1095	890	1950	19850	93,57	0,017	0,191	8
							619		1275	890	1935	19657	94,17		0,191	
	307								639	850	1760	19922	90,81		0,243	
		340							708	850	1760	19900	91,46		0,241	
			356						743	850	1760	19906	91,80		0,240	
				390					812	850	1760	19888	92,29		0,239	
50					407				847	850	1760	19894	92,56	0,022	0,238	6
						474			985	850	1760	19866	93,27		0,236	
							557		1156	850	1760	19834	93,89		0,234	
								599	1242	850	1760	19821	94,14		0,233	
	267								573	710	1595	20550	89,87		0,308	
		296							634	740	1590	20449	90,61		0,306	
51			311						665	780	1590	20425	90,87	0,024	0,305	6
				341					727	820	1590	20413	91,47		0,303	
					355				757	850	1585	20360	91,84		0,303	
						415			878	860	1579	20247	92,62		0,300	
							488		1029	860	1574	20156	93,41		0,299	
								525	1103	860	1569	20089	93,78		0,298	
52	250								541	660	1511	20703	89,47	0,029	0,348	6
		277							600	690	1511	20682	90,27		0,344	
			291						630	730	1511	20673	90,62		0,343	
				318					689	780	1511	20658	91,23		0,340	
					332				719	820	1511	20651	91,50		0,339	
						388			837	830	1511	20628	92,40		0,336	
52						457			983	840	1505	20538	93,26	0,029	0,333	6
							492		1053	840	1500	20449	93,57		0,333	
	233								494	630	1394	20281	88,59		0,404	
		259							547	650	1389	20185	89,52		0,401	
			272						575	680	1389	20185	89,94		0,399	
				298					629	720	1389	20151	90,53		0,396	
52				311					656	760	1389	20152	90,87	0,029	0,394	6
					363				762	830	1383	20040	91,83		0,391	
						429			895	850	1378	19940	92,75		0,388	
							461		962	850	1378	19935	93,13		0,387	

* by field weakening at constant power

Motor type NP560KML

IC06-17-37-86W

Wind. N°.	Base speed (rpm)								P (kW)	Max rpm*	I (A)	T (Nm)	η (%)	R _{arm} (Ohm)	L _{arm} (mH)	Select. code
	400	440	460	500	520	600	700	750								
53	219								472	590	1336	20570	88,29	0,031	0,448	6
		244							524	610	1336	20524	89,11		0,443	
			256						550	640	1336	20523	89,54		0,441	
				281					603	680	1336	20523	90,32		0,437	
					293				626	720	1330	20411	90,56		0,437	
						343			731	800	1330	20397	91,63		0,431	
							405		859	830	1325	20285	92,57		0,428	
								435	924	830	1325	20290	93,01		0,426	
54	206								429	550	1230	19953	87,28	0,037	0,518	6
		229							478	570	1230	19947	88,36		0,512	
			241						500	600	1224	19850	88,84		0,511	
				264					548	650	1224	19816	89,52		0,506	
					276				572	690	1224	19819	89,91		0,504	
						322			669	760	1224	19800	91,05		0,497	
							382		785	770	1219	19675	92,05		0,493	
								411	846	770	1219	19679	92,52		0,491	

* by field weakening at constant power

When required max speed at constant power by field weakening is higher than speed indicated in column “max. rpm”, please contact SICMEMOTORI

Main features

		NP560KML6	NP560KML8
Field power	W	6400	
Inertia	Kgm ²	184	186
Max mechanical speed	rpm	1500	
Weight IC06	kg	7600	7680
Weight IC17-IC37	kg	7300	7380
Weight IC86W	kg	8150	8230
DE bearing	roller	NU238-C3	
NDE bearing	ball	6238-C3	

Blowers data (3x400 V – 50 Hz)

		IC06	IC17-37	IC86W
Blower ac motor	type	160M4A	--	160M4A
Power	kW	11	--	11
Current	A	21.5	--	21.5
Poles	N°.	4	--	4
Dissipated losses	kW	--	--	93
Water flow rate	m ³ /h	--	--	16
Water flanges	DIN2566	--	--	DN65
Air flow rate	m ³ /sec	--	4,17	--
Static pressure	Pa	--	1300	--

Motor type NP560KL

IC06-17-37-86W

Wind. N°.	Base speed (rpm)								P (kW)	Max rpm*	I (A)	T (Nm)	η (%)	R _{arm} (Ohm)	L _{arm} (mH)	Select. code
	400	440	460	500	520	600	700	750								
44	345								809	820	2205	22428	91,71	0,012	0,172	8
		382							896	820	2205	22419	92,33		0,171	
			400						939	820	2205	22416	92,60		0,171	
				438					1023	820	2200	22338	93,01		0,170	
					456				1066	820	2200	22338	93,23		0,170	
						530			1233	730	2189	22201	93,87		0,169	
45	323								753	810	2062	22267	91,26	0,014	0,197	8
		358							831	820	2056	22177	91,85		0,196	
			376						869	830	2051	22109	92,12		0,196	
				411					950	830	2051	22097	92,61		0,194	
					428				988	830	2046	22041	92,87		0,194	
						498			1143	830	2035	21904	93,58		0,194	
46							586		1335	840	2025	21752	94,17	0,193		
	304								714	810	1966	22434	90,84	0,015	0,219	8
		338							790	810	1961	22358	91,52		0,218	
			354						829	810	1961	22370	91,89		0,217	
				387					903	810	1956	22281	92,36		0,216	
					404				941	810	1956	22271	92,56		0,216	
					470			1090	820	1945	22140	93,37	0,215			
48							553		1273	820	1935	21986	94,01	0,214		
	273								636	730	1760	22276	90,36	0,018	0,273	8
		303							705	750	1760	22250	91,05		0,271	
			317						740	780	1760	22254	91,41		0,270	
				348					809	780	1760	22233	91,93		0,268	
					362				844	780	1760	22238	92,22		0,267	
					422			982	780	1760	22206	92,97	0,264			
50							497		1154	780	1760	22186	93,72	0,262		
							535		1240	780	1760	22169	93,98	0,261		
	237								568	640	1590	22894	89,33	0,024	0,348	6
		263							629	660	1585	22786	90,15		0,345	
			277						659	690	1585	22762	90,45		0,344	
				303					722	740	1585	22752	91,10		0,341	
				317				750	780	1579	22662	91,38	0,341			
					369			875	780	1579	22634	92,28	0,337			
51							435		1023	790	1569	22454	93,15	0,336		
							468		1100	790	1569	22453	93,51	0,334		
	221								537	590	1511	23159	88,95	0,026	0,391	6
		247							597	610	1511	23132	89,79		0,387	
			259						626	640	1511	23121	90,16		0,385	
				283					686	700	1511	23101	90,81		0,382	
				296				716	730	1511	23093	91,09	0,381			
					346			832	770	1505	22999	92,14	0,378			
52							408		976	770	1500	22879	92,98	0,375		
							439		1049	770	1500	22857	93,29	0,373		
	207								489	550	1389	22581	87,98	0,031	0,456	6
		230							544	570	1389	22577	89,00		0,451	
			242						569	600	1383	22482	89,46		0,450	
				265					623	640	1383	22450	90,11		0,446	
				277				651	680	1383	22454	90,48	0,445			
					323			757	750	1378	22335	91,54	0,441			
52							383		891	780	1378	22288	92,42	0,435		
							412		956	780	1373	22203	92,87	0,435		

* by field weakening at constant power

Motor type NP560KL

IC06-17-37-86W

Wind. N°.	Base speed (rpm)								P (kW)	Max rpm*	I (A)	T (Nm)	η (%)	R _{arm} (Ohm)	L _{arm} (mH)	Select. code
	400	440	460	500	520	600	700	750								
53	194								466	520	1330	22899	87,65	0,034	0,506	6
		217							518	540	1330	22854	88,55		0,500	
			228						545	570	1330	22857	89,04		0,497	
				250					598	600	1330	22862	89,88		0,493	
					261				623	640	1330	22826	90,10		0,491	
						305			725	740	1325	22699	91,20		0,486	
							360		852	760	1320	22586	92,25		0,482	
								388	917	760	1320	22570	92,64		0,480	
54	183								424	500	1224	22209	86,58	0,040	0,587	6
		203							473	520	1224	22212	87,76		0,579	
			214						495	550	1219	22106	88,28		0,578	
				235					543	600	1219	22073	89,04		0,572	
					246				567	640	1219	22079	89,46		0,569	
						287			663	700	1219	22030	90,58		0,561	
							340		779	700	1214	21904	91,70		0,556	
								366	838	700	1214	21885	92,11		0,553	

* by field weakening at constant power

When required max speed at constant power by field weakening is higher than speed indicated in column “max. rpm”, please contact SICMEMOTORI

Main features

		NP560KL6	NP560KL8
Field power	W	6900	
Inertia	Kgm ²	200	202
Max mechanical speed	rpm	1500	
Weight IC06	kg	8150	8230
Weight IC17-IC37	kg	7850	7930
Weight IC86W	kg	8700	8780
DE bearing	roller	NU238-C3	
NDE bearing	ball	6238-C3	

Blowers data (3x400 V – 50 Hz)

		IC06	IC17-37	IC86W
Blower ac motor	type	160M4A	--	160M4A
Power	kW	11	--	11
Current	A	21.5	--	21.5
Poles	N°.	4	--	4
Dissipated losses	kW	--	--	93
Water flow rate	m ³ /h	--	--	16
Water flanges	DIN2566	--	--	DN65
Air flow rate	m ³ /sec	--	4,17	--
Static pressure	Pa	--	1300	--

Motor type NP560KX

IC06-17-37-86W

Wind N°.	Base speed (rpm)								P (kW)	Max rpm*	I (A)	T (Nm)	η (%)	R _{arm} (Ohm)	L _{arm} (mH)	Select. Code	
	400	440	460	500	520	600	700	750									
44	308								805	740	2205	24939	91,23	0,013	0,193	8	
		342							889	750	2200	24866	91,89				0,192
			358						931	760	2194	24805	92,21				
				392					1017	750	2194	24782	92,66				
					409				1058	730	2189	24731	92,94				
						476			1223	650	2178	24570	93,59				
45	289								745	740	2051	24640	90,83	0,015	0,221	8	
		320							826	750	2051	24619	91,50				0,219
			336						864	760	2046	24545	91,80				
				368					944	760	2046	24534	92,33				
					383				982	760	2041	24445	92,51				
						447			1138	760	2035	24348	93,23				
						525		1331	770	2025	24199	93,94	0,215				
46	272								708	740	1956	24859	90,51	0,016	0,246	8	
		302							784	740	1956	24819	91,16				0,244
			317						823	740	1956	24802	91,43				
				347					898	750	1950	24738	92,07				
					362				936	750	1950	24727	92,29				
						421			1083	750	1940	24560	93,08				
						496		1267	750	1929	24395	93,80	0,240				
48	244								632	680	1760	24767	89,76	0,020	0,306	8	
		271							702	690	1760	24775	90,64				0,303
			284						736	710	1760	24742	90,89				
				311					806	710	1760	24751	91,57				
					324				840	710	1760	24724	91,75				
						379			978	710	1760	24714	92,67				
						446		1150	710	1760	24665	93,37	0,293				
							480	1237	710	1760	24667	93,73	0,291				
50	212								561	590	1579	25296	88,76	0,025	0,392	6	
		236							622	610	1579	25242	89,54				0,387
			248						654	640	1579	25260	90,02				
				271					716	680	1579	25216	90,60				
					283				745	710	1574	25154	91,04				
						330			868	720	1574	25097	91,92				
						390		1020	720	1569	24989	92,86	0,375				
							419	1093	720	1564	24883	93,20	0,374				
51	198								533	550	1511	25756	88,25	0,028	0,439	6	
		220							590	570	1505	25622	89,15				0,435
			231						620	600	1505	25614	89,56				
				253					679	640	1505	25599	90,28				
					265				709	670	1505	25593	90,60				
						310			825	700	1500	25467	91,64				
						365		969	700	1495	25347	92,60	0,420				
							393	1043	700	1495	25355	93,05	0,418				
52	184								483	520	1383	25042	87,36	0,033	0,514	6	
		206							537	540	1383	24993	88,30				0,507
			216						565	570	1383	24997	88,79				
				237					617	600	1378	24865	89,54				
					248				644	640	1378	24873	89,94				
						289			753	700	1378	24831	91,03				
						343		885	710	1373	24712	92,11	0,488				
							369	953	710	1373	24709	92,56	0,486				

* by field weakening at constant power

Motor type NP560KX

IC06-17-37-86W

Wind N°.	Base speed (rpm)								P (kW)	Max rpm*	I (A)	T (Nm)	η (%)	R _{arm} (Ohm)	L _{arm} (mH)	Select. Code	
	400	440	460	500	520	600	700	750									
53	174								461	470	1325	25393	87,00	0,036	0,570	6	
		193							513	500	1325	25348	88,00				0,563
			203						540	540	1325	25355	88,52				0,559
				223					591	570	1325	25320	89,28				0,554
					233				617	610	1325	25284	89,54				0,551
						273			719	690	1320	25154	90,76				0,546
							322		849	690	1320	25141	91,91				0,539
								348	911	690	1314	25026	92,37				0,538
54	162								419	450	1219	24630	85,87	0,043	0,662	6	
		182							465	470	1214	24511	87,14				0,655
			191						489	500	1214	24467	87,53				0,651
				210					536	540	1214	24440	88,38				0,644
					219				561	580	1214	24452	88,85				0,641
						257			656	640	1214	24409	90,10				0,631
							304		773	650	1208	24281	91,35				0,624
								328	832	650	1208	24264	91,81				0,621

* by field weakening at constant power

When required max speed at constant power by field weakening is higher than speed indicated in column “max. rpm”, please contact SICMEMOTORI

Main features

		NP560KX6	NP560KX8
Field power	W	7400	
Inertia	Kgm ²	218	220
Max mechanical speed	rpm	1500	
Weight IC06	kg	8780	8860
Weight IC17-IC37	kg	8480	8560
Weight IC86W	kg	9330	9410
DE bearing	roller	NU238-C3	
NDE bearing	ball	6238-C3	

Blowers data (3x400 V – 50 Hz)

		IC06	IC17-37	IC86W
Blower ac motor	type	160M4A	--	160M4A
Power	kW	11	--	11
Current	A	21.5	--	21.5
Poles	N°.	4	--	4
Dissipated losses	kW	--	--	93
Water flow rate	m ³ /h	--	--	16
Water flanges	DIN2566	--	--	DN65
Air flow rate	m ³ /sec	--	4,17	--
Static pressure	Pa	--	1300	--

Motor type NP630KRS

IC06-17-37-86W

Wind. N°.	Base speed (rpm)								P (kW)	Max rpm*	I (A)	T (Nm)	η (%)	R _{arm} (Ohm)	L _{arm} (mH)	Select. code
	400	440	460	500	520	600	700	750								
43	656								936	1200	2512	13620	93,14	0,008	0,079	8
		726							1034	1200	2512	13606	93,50		0,079	
			760						1082	1200	2512	13599	93,65		0,079	
				830					1176	1200	2502	13538	93,98		0,079	
					864				1219	1200	2491	13474	94,11		0,079	
						1004			1370	1200	2417	13037	94,44		0,081	
44	617								880	1200	2369	13632	92,84	0,009	0,090	8
		682							972	1200	2369	13621	93,25		0,089	
			715						1018	1200	2369	13608	93,38		0,089	
				780					1102	1200	2353	13506	93,69		0,089	
					813				1144	1200	2343	13447	93,89		0,089	
						944			1299	1200	2295	13146	94,30		0,091	
45							1109		1408	1200	2125	12127	94,62	0,097	8	
	583								813	1200	2194	13340	92,63	0,103		
		644							899	1200	2194	13335	93,11	0,102		
			675						941	1200	2194	13325	93,26	0,102		
				737					1027	1200	2194	13323	93,62	0,101		
					768				1070	1200	2194	13316	93,74	0,101		
47						891			1239	1200	2194	13289	94,12	0,101	8	
							1047		1385	1200	2094	12649	94,54	0,105		
	522								727	1200	1972	13311	92,20	0,127		
		578							803	1200	1972	13290	92,62	0,127		
			606						843	1200	1972	13298	92,92	0,126		
				661					919	1200	1972	13282	93,23	0,126		
49						689			957	1200	1972	13274	93,36	0,125	8	
							800		1111	1200	1972	13262	93,91	0,125		
								940	1285	1200	1945	13059	94,36	0,125		
								1011	1348	1200	1903	12751	94,48	0,128		
	456								656	1200	1791	13747	91,57	0,160		
		505							726	1200	1791	13734	92,12	0,159		
50			530						761	1200	1791	13728	92,36	0,159	8	
				579					831	1200	1791	13718	92,78	0,158		
					603				866	1200	1791	13714	92,97	0,158		
						702			1006	1200	1791	13701	93,59	0,156		
							825		1163	1200	1765	13471	94,12	0,158		
								886	1237	1200	1749	13334	94,30	0,158		
51	428								617	1190	1685	13782	91,51	0,182	8	
		474							683	1190	1685	13765	92,05	0,181		
			497						716	1190	1685	13759	92,29	0,180		
				543					781	1190	1685	13747	92,70	0,179		
					566				814	1190	1685	13741	92,89	0,179		
						658			946	1190	1685	13724	93,50	0,177		
51							774		1110	1190	1685	13708	94,07	0,176	8	
								831	1191	1190	1685	13694	94,26	0,175		
	400								575	1050	1585	13736	90,64	0,207		
		443							637	1080	1585	13737	91,37	0,205		
			465						668	1150	1585	13726	91,61	0,205		
				509					730	1190	1585	13727	92,17	0,203		
51				530					761	1190	1585	13718	92,36	0,203	8	
					617				884	1190	1585	13689	92,98	0,201		
						726			1025	1200	1564	13486	93,66	0,202		
							781		1094	1200	1553	13387	93,92	0,203		

* by field weakening at constant power

Motor type NP630KRS

IC06-17-37-86W

Wind. N°.	Base speed (rpm)								P (kW)	Max rpm*	I (A)	T (Nm)	η (%)	R _{arm} (Ohm)	L _{arm} (mH)	Select. code
	400	440	460	500	520	600	700	750								
52	378								546	980	1505	13820	90,67	0,022	6	0,231
		418							604	1000	1505	13793	91,23			0,229
			439						634	1070	1505	13793	91,55			0,228
				481					693	1150	1505	13792	92,11			0,227
					501				722	1170	1505	13772	92,23			0,226
						583			840	1170	1505	13757	92,96			0,224
							686		987	1170	1505	13747	93,66			0,222
								738	1060	1170	1505	13736	93,90			0,221
53	356								510	950	1415	13691	90,07	0,025	6	0,260
		395							565	980	1415	13672	90,74			0,258
			415						594	1020	1415	13688	91,19			0,257
				453					649	1090	1415	13670	91,69			0,255
					473				676	1140	1415	13664	91,90			0,255
						551			787	1160	1415	13640	92,63			0,252
							649		924	1160	1415	13618	93,31			0,250
								697	993	1160	1415	13609	93,58			0,249

* by field weakening at constant power

When required max speed at constant power by field weakening is higher than speed indicated in column “max. rpm”, please contact SICMEMOTORI

Main features

		NP630KRS6	NP630KRS8
Field power	W	4800	
Inertia	Kgm ²	168	176
Max mechanical speed	rpm	1500	
Weight IC06	kg	6980	7280
Weight IC17-IC37	kg	6600	6900
Weight IC86W	kg	7500	7800
DE bearing	roller	NU238-C3	
NDE bearing	ball	6238-C3	

Blowers data (3x400 V – 50 Hz)

		IC06	IC17-37	IC86W
Blower ac motor	type	160L4A	--	160M4A
Power	kW	15	--	11
Current	A	28,5	--	21,5
Poles	N°.	4	--	4
Dissipated losses	kW	--	--	93
Water flow rate	m ³ /h	--	--	16
Water flanges	DIN2566	--	--	DN65
Air flow rate	m ³ /sec	--	4,64	--
Static pressure	Pa	--	1300	--

Motor type NP630KRM

IC06-17-37-86W

Wind. N°.	Base speed (rpm)								P (kW)	Max rpm*	I (A)	T (Nm)	η (%)	R _{arm} (Ohm)	L _{arm} (mH)	Select. code
	400	440	460	500	520	600	700	750								
43	582								935	1160	2512	15367	93,04	0,008	0,090	8
		643							1034	1160	2512	15365	93,50		0,089	
			674						1082	1160	2512	15356	93,65		0,089	
				735					1180	1160	2512	15341	93,92		0,089	
					766				1223	1170	2502	15267	94,04		0,089	
						889			1391	1160	2454	14948	94,46		0,090	
44	546								879	1160	2369	15380	92,73	0,009	0,101	8
		604							971	1160	2369	15365	93,15		0,101	
			633						1018	1160	2369	15367	93,38		0,101	
				690					1107	1160	2364	15309	93,63		0,100	
					719				1148	1170	2353	15239	93,82		0,101	
						836			1307	1190	2311	14937	94,27		0,102	
45							983		1458	1200	2200	14179	94,66	0,106	8	
	516								813	1170	2194	15069	92,63	0,116		
		570							898	1170	2194	15043	93,00	0,115		
			598						941	1170	2194	15048	93,26	0,115		
				652					1026	1170	2194	15028	93,53	0,114		
					680				1070	1170	2194	15033	93,74	0,114		
47						789			1239	1170	2194	15000	94,12	0,114	8	
							927		1425	1200	2152	14689	94,58	0,115		
	462								726	1150	1972	15022	92,07	0,144		
		512							802	1150	1972	14996	92,50	0,143		
			536						842	1150	1972	15005	92,80	0,143		
				585					918	1150	1972	14984	93,12	0,142		
49					610				956	1150	1972	14974	93,26	0,142	8	
						709			1110	1150	1972	14959	93,82	0,141		
							833		1291	1160	1956	14816	94,31	0,141		
								895	1375	1170	1940	14683	94,50	0,142		
	404								655	1030	1791	15517	91,42	0,181		
		447							725	1060	1791	15499	91,98	0,180		
50			469						760	1100	1791	15493	92,23	0,179	8	
				513					830	1130	1791	15480	92,66	0,178		
					534				865	1130	1791	15474	92,85	0,178		
						621			1005	1130	1791	15456	93,49	0,177		
							730		1166	1140	1770	15251	94,10	0,177		
								785	1241	1150	1754	15104	94,34	0,178		
51	379								615	960	1685	15529	91,20	0,206	8	
		419							682	1000	1685	15535	91,91	0,204		
			440						714	1050	1685	15526	92,15	0,203		
				481					780	1110	1685	15511	92,58	0,202		
					501				813	1110	1685	15504	92,77	0,202		
						583			944	1110	1685	15482	93,40	0,200		
51						685			1109	1110	1685	15461	93,98	0,199	8	
							736		1191	1110	1685	15460	94,26	0,198		
	353								573	930	1585	15508	90,47	0,234		
		392							636	970	1585	15506	91,21	0,232		
			412						667	1020	1585	15493	91,46	0,231		
				450					728	1070	1585	15470	91,91	0,230		
					469				760	1110	1585	15481	92,23	0,229		
						547			883	1110	1585	15445	92,87	0,227		
51						643			1028	1130	1569	15279	93,63	0,227	8	
							691		1097	1140	1558	15160	93,88	0,228		

* by field weakening at constant power

Motor type NP630KRM

IC06-17-37-86W

Wind. N°.	Base speed (rpm)								P (kW)	Max rpm*	I (A)	T (Nm)	η (%)	R _{arm} (Ohm)	L _{arm} (mH)	Select. Code
	400	440	460	500	520	600	700	750								
52	334								544	860	1505	15571	90,32	0,023	0,261	6
		370							603	900	1505	15568	91,07		0,259	
			388						633	950	1505	15567	91,40		0,258	
				425					692	1050	1505	15565	91,97		0,256	
					443				721	1090	1505	15541	92,09		0,255	
						517			838	1090	1505	15521	92,84		0,253	
							608		986	1090	1505	15507	93,56		0,251	
								653	1059	1090	1505	15494	93,80		0,250	
53	315								509	820	1415	15460	89,89	0,026	0,294	6
		350							564	860	1415	15435	90,57		0,292	
			366						591	920	1415	15425	90,86		0,291	
				401					648	990	1415	15432	91,54		0,289	
					418				675	1050	1415	15422	91,76		0,288	
						487			785	1080	1415	15392	92,51		0,285	
							574		924	1080	1415	15381	93,31		0,282	
								617	993	1080	1415	15369	93,58		0,281	

* by field weakening at constant power

When required max speed at constant power by field weakening is higher than speed indicated in column “max. rpm”, please contact SICMEMOTORI

Main features

		NP630KRM6	NP630KRM8
Field power	W	5100	
Inertia	Kgm ²	192	200
Max mechanical speed	rpm	1500	
Weight IC06	kg	7380	7680
Weight IC17-IC37	kg	7000	7300
Weight IC86W	kg	7900	8200
DE bearing	roller	NU238-C3	
NDE bearing	ball	6238-C3	

Blowers data (3x400 V – 50 Hz)

		IC06	IC17-37	IC86W
Blower ac motor	type	160L4A	--	160M4A
Power	kW	15	--	11
Current	A	28,5	--	21,5
Poles	N°.	4	--	4
Dissipated losses	kW	--	--	93
Water flow rate	m ³ /h	--	--	16
Water flanges	DIN2566	--	--	DN65
Air flow rate	m ³ /sec	--	4,64	--
Static pressure	Pa	--	1300	--

Motor type NP630KR

IC06-17-37-86W

Wind. N°.	Base speed (rpm)								P (kW)	Max rpm*	I (A)	T (Nm)	η (%)	R _{arm} (Ohm)	L _{arm} (mH)	Select. code			
	400	440	460	500	520	600	700	750											
43	524								934	1080	2512	17017	92,93	0,009	0,099	8			
		580							1032	1080	2512	17012	93,40				0,099		
			608						1081	1080	2512	17003	93,56				0,099		
				663					1179	1080	2512	16984	93,84				0,098		
					691				1225	1090	2507	16946	94,00				0,098		
						803			1397	1030	2465	16636	94,48				0,099		
44	492								878	1080	2369	17032	92,62	0,010	0,112	8			
		545							970	1080	2369	17014	93,04				0,112		
			571						1017	1080	2369	17015	93,28				0,111		
				623					1109	1080	2369	16999	93,60				0,111		
					650				1150	1090	2359	16920	93,78				0,111		
						754			1315	1100	2327	16658	94,23				0,112		
45							886		1500	1140	2263	16173	94,68	0,114	0,128	8			
	465								812	1090	2194	16687	92,51	0,128					
		515							897	1090	2194	16657	92,89	0,128					
			539						940	1090	2194	16662	93,15	0,127					
				588					1026	1090	2194	16654	93,53	0,127					
					614				1068	1090	2194	16642	93,65	0,127					
47						713			1239	1090	2194	16618	94,12	0,126	0,014	0,160	8		
							837		1438	1100	2173	16430	94,56	0,126					
	417								725	1070	1972	16640	91,94	0,159					
		461							801	1070	1972	16610	92,38	0,158					
			483						841	1070	1972	16617	92,68	0,157					
				528					917	1070	1972	16592	93,01	0,157					
49						550			955	1070	1972	16581	93,16	0,156	0,017	0,201	8		
							640		1110	1070	1972	16577	93,82	0,196					
								751		1297	1080	1966	16497	94,26				0,196	
									1382	1080	1950	16354	94,49	0,197					
		363							653	940	1791	17165	91,12	0,200					
			403						723	970	1791	17146	91,72	0,199					
50			422						759	1010	1791	17161	92,10	0,198	0,019	0,228	8		
				462					829	1050	1791	17145	92,54	0,226					
					482				864	1050	1791	17138	92,74	0,226					
						560			1004	1050	1791	17114	93,39	0,224					
							659		1168	1060	1776	16932	93,99	0,224					
								709	1243	1070	1760	16765	94,22	0,222					
51		341							614	880	1685	17207	91,04	0,220	0,022	0,260	8		
			378						679	920	1685	17184	91,62	0,258					
				396					712	970	1685	17173	91,88	0,257					
					433				779	1000	1685	17179	92,45	0,255					
						451			812	1030	1685	17171	92,65	0,254					
							526		943	1040	1685	17142	93,29	0,252					
51							618		1108	1040	1685	17116	93,89	0,251	0,022	0,252	8		
								665	1190	1040	1685	17114	94,17	0,252					
		318							571	830	1585	17157	90,13	0,252					
			353						634	870	1585	17153	90,91	0,252					
				371					665	930	1585	17138	91,17	0,252					
					406				727	990	1585	17137	91,77	0,252					
51					423				758	1030	1585	17125	91,97	0,252	0,022	0,251	8		
						492			882	1040	1585	17104	92,75	0,251					
							580		1030	1050	1574	16971	93,51	0,252					
								624	1100	1050	1564	16851	93,83	0,252					

* by field weakening at constant power

Motor type NP630KR

IC06-17-37-86W

Wind. N°.	Base speed (rpm)								P (kW)	Max rpm*	I (A)	T (Nm)	η (%)	R _{arm} (Ohm)	L _{arm} (mH)	Select. code
	400	440	460	500	520	600	700	750								
52	300								543	800	1505	17258	90,14	0,024	0,290	6
		333							602	830	1505	17252	90,91		0,287	
			350						631	870	1505	17219	91,09		0,286	
				383					690	920	1505	17216	91,69		0,284	
					399				720	960	1505	17214	91,96		0,283	
						465			837	1020	1505	17188	92,72		0,281	
							548		985	1020	1505	17170	93,46		0,278	
								589	1058	1020	1505	17153	93,71		0,277	
53	283								507	750	1415	17105	89,51	0,027	0,327	6
		315							562	780	1415	17077	90,23		0,324	
			330						590	820	1415	17095	90,70		0,323	
				361					646	890	1415	17071	91,24		0,320	
					377				673	940	1415	17060	91,47		0,319	
						440			784	1010	1415	17050	92,38		0,316	
							517		922	1020	1415	17015	93,10		0,313	
								557	992	1020	1415	17019	93,48		0,312	

* by field weakening at constant power

When required max speed at constant power by field weakening is higher than speed indicated in column “max. rpm”, please contact SICMEMOTORI

Main features

		NP630KR6	NP630KR8
Field power	W	5400	
Inertia	Kgm ²	216	224
Max mechanical speed	rpm	1500	
Weight IC06	kg	7830	8130
Weight IC17-IC37	kg	7450	7750
Weight IC86W	kg	8350	8650
DE bearing	roller	NU238-C3	
NDE bearing	ball	6238-C3	

Blowers data (3x400 V – 50 Hz)

		IC06	IC17-37	IC86W
Blower ac motor	type	160L4A	--	160M4A
Power	kW	15	--	11
Current	A	28,5	--	21,5
Poles	N°.	4	--	4
Dissipated losses	kW	--	--	93
Water flow rate	m ³ /h	--	--	16
Water flanges	DIN2566	--	--	DN65
Air flow rate	m ³ /sec	--	4,64	--
Static pressure	Pa	--	1300	--

Motor type NP630KS

IC06-17-37-86W

Wind. N°.	Base speed (rpm)								P (kW)	Max rpm*	I (A)	T (Nm)	η (%)	R _{arm} (Ohm)	L _{arm} (mH)	Select. code
	400	440	460	500	520	600	700	750								
43	474								933	1020	2512	18814	92,83	0,009	0,110	8
		524							1030	1020	2512	18787	93,21		0,110	
			550						1080	1020	2512	18793	93,47		0,109	
				599					1178	1020	2512	18771	93,76		0,109	
					624				1226	1020	2512	18761	93,88		0,109	
						725			1402	910	2475	18468	94,43		0,109	
44	445								877	1010	2369	18831	92,51	0,010	0,124	8
		492							969	1010	2369	18807	92,94		0,124	
			516						1015	1010	2369	18807	93,18		0,123	
				563					1108	1010	2369	18788	93,51		0,123	
					587				1151	1020	2364	18734	93,65		0,123	
						683			1319	1030	2332	18467	94,24		0,124	
45	420								810	1030	2194	18425	92,27	0,011	0,142	8
		465							896	1030	2194	18412	92,78		0,141	
			487						939	1030	2194	18418	93,05		0,141	
				532					1024	1030	2194	18387	93,33		0,140	
					554				1067	1030	2194	18392	93,55		0,140	
						645			1238	1020	2194	18363	94,04		0,139	
47	376								723	980	1972	18378	91,67	0,014	0,177	8
		417							800	990	1972	18367	92,25		0,176	
			437						838	1010	1972	18351	92,45		0,175	
				477					916	1010	1972	18343	92,90		0,174	
					497				954	1010	1972	18330	93,05		0,174	
						579			1108	1010	1972	18304	93,64		0,172	
49	328								651	860	1791	18960	90,83	0,018	0,223	8
		364							722	900	1791	18966	91,58		0,221	
			382						757	950	1791	18954	91,84		0,220	
				417					827	980	1791	18935	92,31		0,219	
					435				862	980	1791	18926	92,51		0,219	
						507			1002	980	1791	18899	93,20		0,217	
50	308								612	820	1685	19004	90,72	0,020	0,253	8
		341							678	860	1685	19007	91,48		0,251	
			358						711	910	1685	18994	91,74		0,250	
				391					777	960	1685	18971	92,20		0,248	
					408				810	970	1685	18961	92,40		0,248	
						475			942	970	1685	18950	93,19		0,245	
51	287								570	780	1585	18987	89,97	0,023	0,288	8
		318							632	810	1585	18947	90,61		0,286	
			334						664	850	1585	18960	91,03		0,284	
				366					725	900	1585	18927	91,51		0,282	
					382				757	940	1585	18941	91,84		0,282	
						445			881	970	1585	18912	92,64		0,279	
51						524			1029	980	1574	18759	93,41	0,278	8	
							564		1102	980	1569	18681	93,69	0,278		

* by field weakening at constant power

Motor type NP630KS

IC06-17-37-86W

Wind. N°.	Base speed (rpm)								P (kW)	Max rpm*	I (A)	T (Nm)	η (%)	R _{arm} (Ohm)	L _{arm} (mH)	Select. Code
	400	440	460	500	520	600	700	750								
52	271								541	730	1505	19064	89,79	0,025	0,321	6
		301							600	770	1505	19054	90,59		0,318	
			316						630	810	1505	19050	90,94		0,317	
				346					688	880	1505	19014	91,41		0,315	
					360				718	920	1505	19012	91,68		0,314	
						420			836	960	1505	19005	92,61		0,311	
							495		984	960	1505	18979	93,36		0,308	
								533	1057	960	1505	18959	93,62		0,306	
53	255								505	690	1415	18898	89,14	0,029	0,363	6
		283							561	720	1415	18900	90,06		0,359	
			298						588	760	1415	18885	90,38		0,358	
				326					643	810	1415	18856	90,94		0,355	
					340				671	860	1415	18844	91,18		0,354	
						397			782	950	1415	18830	92,13		0,350	
							468		921	950	1415	18812	92,99		0,346	
								503	990	950	1415	18794	93,28		0,345	

* by field weakening at constant power

When required max speed at constant power by field weakening is higher than speed indicated in column “max. rpm”, please contact SICMEMOTORI

Main features

		NP630KS6	NP630KS8
Field power	W	5700	
Inertia	Kgm ²	240	248
Max mechanical speed	rpm	1500	
Weight IC06	kg	8330	8630
Weight IC17-IC37	kg	7950	8250
Weight IC86W	kg	8850	9150
DE bearing	roller	NU238-C3	
NDE bearing	ball	6238-C3	

Blowers data (3x400 V – 50 Hz)

		IC06	IC17-37	IC86W
Blower ac motor	type	160L4A	--	160M4A
Power	kW	15	--	11
Current	A	28,5	--	21,5
Poles	N°.	4	--	4
Dissipated losses	kW	--	--	93
Water flow rate	m ³ /h	--	--	16
Water flanges	DIN2566	--	--	DN65
Air flow rate	m ³ /sec	--	4,64	--
Static pressure	Pa	--	1300	--

Motor type NP630KSM

IC06-17-37-86W

Wind. N°.	Base speed (rpm)								P (kW)	Max rpm*	I (A)	T (Nm)	η (%)	R _{arm} (Ohm)	L _{arm} (mH)	Select. code
	400	440	460	500	520	600	700	750								
43	425								931	960	2512	20916	92,62	0,009	0,123	8
		471							1029	960	2512	20906	93,11		0,122	
			493						1078	960	2512	20891	93,29		0,122	
				538					1176	940	2512	20865	93,59		0,121	
					561				1222	920	2507	20816	93,76		0,121	
						651			1400	820	2475	20526	94,29		0,122	
44	399								875	960	2369	20933	92,28	0,011	0,139	8
		442							967	960	2369	20906	92,74		0,138	
			463						1013	950	2369	20905	92,99		0,137	
				506					1106	960	2369	20883	93,33		0,137	
					527				1150	960	2364	20842	93,57		0,137	
						613			1320	970	2337	20574	94,10		0,137	
45							720		1520	990	2295	20171	94,62	0,139	8	
	377								808	970	2194	20480	92,03	0,158		
		417							894	970	2194	20465	92,56	0,157		
			438						937	970	2194	20470	92,84	0,157		
				478					1023	970	2194	20458	93,24	0,156		
					498				1065	970	2194	20442	93,37	0,156		
47						579			1237	970	2194	20425	93,96	0,155	8	
							680		1447	970	2189	20341	94,43	0,154		
	337								721	950	1972	20432	91,40	0,197		
		374							798	950	1972	20419	92,01	0,196		
			391						836	950	1972	20400	92,22	0,195		
				428					914	950	1972	20390	92,69	0,194		
49					447				952	950	1972	20375	92,85	0,194	8	
						519			1107	950	1972	20364	93,55	0,192		
							611		1299	950	1972	20329	94,09	0,191		
								656	1383	920	1956	20147	94,31	0,192		
		294							649	800	1791	21082	90,53	0,249		
			326						720	820	1791	21086	91,31	0,247		
50			342						755	850	1791	21073	91,59	0,246	8	
				375					825	880	1791	21051	92,07	0,244		
					390				860	900	1791	21041	92,28	0,244		
						454			1001	920	1791	21030	93,10	0,241		
							535		1165	930	1776	20800	93,73	0,241		
								576	1244	930	1765	20662	94,01	0,242		
51	276								610	760	1685	21130	90,41	0,282	8	
		306							676	780	1685	21131	91,20	0,280		
			321						709	810	1685	21115	91,47	0,279		
				351					775	860	1685	21089	91,95	0,277		
					366				808	900	1685	21078	92,16	0,276		
						426			940	920	1685	21064	92,98	0,273		
51						502			1105	920	1685	21026	93,62	0,271	8	
							540		1187	920	1685	21020	93,92	0,270		
	257								568	290	1585	21115	89,63	0,322		
		285							630	720	1585	21068	90,30	0,319		
			300						661	760	1585	21083	90,74	0,317		
				328					723	800	1585	21044	91,24	0,315		
51				343					755	850	1585	21058	91,59	0,314	8	
					399				879	910	1585	21025	92,42	0,311		
						471			1027	920	1574	20852	93,22	0,310		
							507		1097	930	1564	20701	93,56	0,310		

* by field weakening at constant power

Motor type NP630KSM

IC06-17-37-86W

Wind. N°.	Base speed (rpm)								P (kW)	Max rpm*	I (A)	T (Nm)	η (%)	R _{arm} (Ohm)	L _{arm} (mH)	Select. code
	400	440	460	500	520	600	700	750								
52	243								538	650	1505	21197	89,44	0,026	0,359	6
		270							598	680	1505	21185	90,27		0,355	
			283						628	720	1505	21180	90,63		0,354	
				310					686	760	1505	21138	91,13		0,351	
					323				716	810	1505	21135	91,41		0,350	
						378			834	890	1505	21126	92,37		0,346	
							445		982	900	1505	21096	93,16		0,343	
								479	1055	900	1505	21074	93,43		0,341	
53	228								502	620	1415	21018	88,76	0,030	0,405	6
		254							558	650	1415	20979	89,55		0,401	
			267						586	690	1415	21000	90,05		0,399	
				292					641	740	1415	20968	90,64		0,396	
					305				669	780	1415	20954	90,90		0,395	
						356			780	860	1415	20935	91,89		0,390	
							420		919	880	1415	20912	92,78		0,386	
								451	988	880	1415	20893	93,08		0,384	

* by field weakening at constant power

When required max speed at constant power by field weakening is higher than speed indicated in column “max. rpm”, please contact SICMEMOTORI

Main features

		NP630KSM6	NP630KSM8
Field power	W	6000	
Inertia	Kgm ²	264	272
Max mechanical speed	rpm	1400	
Weight IC06	kg	8830	9130
Weight IC17-IC37	kg	8450	8750
Weight IC86W	kg	9350	9650
DE bearing	roller	NU244-C3	
NDE bearing	ball	6244-C3	

Blowers data (3x400 V – 50 Hz)

		IC06	IC17-37	IC86W
Blower ac motor	type	160L4A	--	160M4A
Power	kW	15	--	11
Current	A	28,5	--	21,5
Poles	N°.	4	--	4
Dissipated losses	kW	--	--	93
Water flow rate	m ³ /h	--	--	16
Water flanges	DIN2566	--	--	DN65
Air flow rate	m ³ /sec	--	4,64	--
Static pressure	Pa	--	1300	--

Motor type NP630KM

IC06-17-37-86W

Wind. N°.	Base speed (rpm)								P (kW)	Max rpm*	I (A)	T (Nm)	η (%)	R _{arm} (Ohm)	L _{arm} (mH)	Select. code
	400	440	460	500	520	600	700	750								
43	387								929	880	2512	22909	92,41	0,010	0,135	8
		429							1026	880	2512	22872	92,83		0,134	
			450						1076	880	2512	22879	93,10		0,134	
				490					1173	840	2512	22849	93,42		0,133	
					512				1220	820	2507	22795	93,59		0,133	
						594			1398	730	2475	22473	94,15		0,134	
44	363								872	880	2369	22928	92,06	0,011	0,152	8
		403							965	880	2369	22895	92,54		0,151	
			422						1011	880	2369	22894	92,79		0,151	
				461					1103	880	2369	22868	93,15		0,150	
					481				1148	900	2364	22823	93,39		0,150	
						559			1318	900	2337	22525	93,95		0,150	
						656		1521	920	2300	22129	94,47	0,152			
45	343								806	890	2194	22430	91,79	0,013	0,174	8
		380							891	890	2194	22411	92,34		0,173	
			398						935	890	2194	22416	92,63		0,172	
				435					1021	890	2194	22400	93,04		0,171	
					453				1063	900	2194	22383	93,18		0,171	
						527			1235	900	2194	22362	93,80		0,170	
						619		1449	900	2194	22335	94,34	0,169			
47	307								719	850	1972	22384	91,13	0,016	0,217	8
		340							796	860	1972	22367	91,76		0,215	
			356						834	880	1972	22345	91,98		0,214	
				390					912	880	1972	22334	92,47		0,213	
					407				950	880	1972	22315	92,64		0,212	
						473			1105	880	1972	22300	93,37		0,211	
						556		1296	870	1972	22259	93,93	0,209			
							598	1385	820	1961	22128	94,20	0,209			
49	267								647	720	1791	23102	90,24	0,020	0,274	8
		297							717	750	1791	23070	90,91		0,271	
			312						752	790	1791	23056	91,20		0,270	
				341					823	830	1791	23061	91,83		0,268	
					355				858	850	1791	23049	92,06		0,268	
						415			997	850	1791	23009	92,80		0,265	
						487		1163	860	1776	22776	93,56	0,265			
							524	1242	860	1765	22624	93,85	0,265			
50	250								607	670	1685	23153	90,09	0,022	0,310	8
		279							673	700	1685	23114	90,77		0,307	
			292						706	740	1685	23098	91,06		0,306	
				319					773	770	1685	23101	91,70		0,304	
					333				806	800	1685	23088	91,92		0,303	
						388			938	840	1685	23069	92,77		0,300	
						457		1102	840	1685	23024	93,44	0,297			
							492	1185	840	1685	23016	93,75	0,296			
51	234								565	640	1585	23100	89,13	0,026	0,354	8
		259							628	660	1585	23088	90,00		0,350	
			273						658	690	1585	23065	90,30		0,349	
				299					721	730	1585	23058	90,97		0,346	
					312				752	780	1585	23038	91,20		0,345	
						364			876	840	1585	23002	92,08		0,341	
						429		1021	850	1569	22738	92,95	0,341			
							461	1094	850	1564	22646	93,29	0,340			

* by field weakening at constant power

Motor type NP630KM

IC06-17-37-86W

Wind. N°.	Base speed (rpm)								P (kW)	Max rpm*	I (A)	T (Nm)	η (%)	R _{arm} (Ohm)	L _{arm} (mH)	Select. code
	400	440	460	500	520	600	700	750								
52	220								536	610	1505	23232	89,08	0,028	0,395	6
		246							595	630	1505	23173	89,79		0,391	
			257						624	660	1505	23168	90,17		0,389	
				283					684	700	1505	23158	90,85		0,386	
					294				713	750	1505	23155	91,14		0,384	
						344			831	830	1505	23111	92,02		0,380	
							405		979	830	1505	23104	92,96		0,376	
								436	1053	830	1505	23077	93,24		0,375	
53	208								499	570	1415	22994	88,20	0,032	0,446	6
		231							555	590	1415	22995	89,21		0,441	
			243						583	620	1415	22975	89,56		0,439	
				266					639	660	1415	22978	90,34		0,436	
					278				667	700	1415	22961	90,61		0,434	
						324			778	780	1415	22935	91,64		0,429	
							383		917	810	1415	22906	92,56		0,424	
								412	986	820	1415	22882	92,88		0,422	

* by field weakening at constant power

When required max speed at constant power by field weakening is higher than speed indicated in column “max. rpm”, please contact SICMEMOTORI

Main features

		NP630KM6	NP630KM8
Field power	W	6400	
Inertia	Kgm ²	296	312
Max mechanical speed	rpm	1400	
Weight IC06	kg	9730	10230
Weight IC17-IC37	kg	9350	9850
Weight IC86W	kg	10250	10750
DE bearing	roller	NU244-C3	
NDE bearing	ball	6244-C3	

Blowers data (3x400 V – 50 Hz)

		IC06	IC17-37	IC86W
Blower ac motor	type	160L4A	--	160M4A
Power	kW	15	--	11
Current	A	28,5	--	21,5
Poles	N°.	4	--	4
Dissipated losses	kW	--	--	93
Water flow rate	m ³ /h	--	--	16
Water flanges	DIN2566	--	--	DN65
Air flow rate	m ³ /sec	--	4,64	--
Static pressure	Pa	--	1300	--

Motor type NP630KML

IC06-17-37-86W

Wind. N°.	Base speed (rpm)								P (kW)	Max rpm*	I (A)	T (Nm)	η (%)	R _{arm} (Ohm)	L _{arm} (mH)	Select. code
	400	440	460	500	520	600	700	750								
43	349								925	780	2512	25380	92,09	0,011	0,150	8
		385							1024	790	2512	25364	92,64		0,149	
			405						1073	780	2512	25344	92,83		0,148	
				442					1169	750	2507	25285	93,28		0,148	
					460				1215	730	2502	25202	93,38		0,148	
						536			1396	650	2475	24908	94,00		0,148	
44	327								869	820	2369	25399	91,72	0,012	0,169	8
		362							961	820	2369	25361	92,23		0,168	
			380						1008	820	2369	25358	92,50		0,167	
				416					1101	820	2369	25354	92,98		0,167	
					433				1145	820	2364	25278	93,14		0,167	
						504			1315	830	2337	24967	93,80		0,167	
45	309								803	830	2194	24876	91,55	0,013	0,194	8
		342							889	830	2194	24852	92,12		0,192	
			358						932	830	2194	24826	92,31		0,192	
				392					1018	830	2194	24809	92,75		0,190	
					409				1061	830	2194	24813	93,00		0,190	
						475			1233	830	2194	24787	93,64		0,189	
47	276								716	750	1972	24799	90,73	0,017	0,241	8
		306							793	780	1972	24778	91,40		0,239	
			320						831	820	1972	24753	91,63		0,238	
				350					908	820	1972	24739	92,15		0,237	
					366				947	820	1972	24719	92,33		0,236	
						426			1101	820	1972	24701	93,10		0,234	
49	240								643	670	1791	25599	89,79	0,021	0,305	8
		267							713	690	1791	25561	90,51		0,302	
			280						749	720	1791	25581	90,94		0,301	
				307					819	790	1791	25548	91,48		0,298	
					319				854	790	1791	25535	91,72		0,297	
						373			992	790	1786	25430	92,58		0,295	
50	225								604	630	1685	25651	89,62	0,023	0,345	8
		250							670	650	1685	25607	90,34		0,342	
			262						704	680	1685	25627	90,78		0,341	
				287					770	740	1685	25591	91,32		0,338	
					300				802	780	1685	25575	91,56		0,337	
						350			935	780	1685	25552	92,45		0,334	
51	210								562	590	1585	25599	88,63	0,027	0,394	8
		233							624	610	1585	25584	89,54		0,390	
			245						655	640	1585	25557	89,86		0,388	
				268					718	700	1585	25547	90,57		0,385	
					281				748	740	1585	25525	90,82		0,384	
						327			870	780	1579	25415	91,83		0,380	
						386			1019	790	1569	25212	92,76		0,379	
							416		1092	790	1564	25108	93,11		0,378	

* by field weakening at constant power

Motor type NP630KML

IC06-17-37-86W

Wind. N°.	Base speed (rpm)								P (kW)	Max rpm*	I (A)	T (Nm)	η (%)	R _{arm} (Ohm)	L _{arm} (mH)	Select. code
	400	440	460	500	520	600	700	750								
52	198								533	560	1505	25741	88,56	0,029	0,440	6
		220							591	580	1505	25675	89,31		0,435	
			231						621	610	1505	25668	89,71		0,433	
				253					681	650	1505	25656	90,42		0,429	
					264				710	680	1505	25651	90,74		0,428	
						309			829	740	1505	25634	91,78		0,423	
							364		976	760	1505	25591	92,66		0,418	
								392	1049	770	1505	25561	92,96		0,416	
53	186								496	520	1415	25486	87,64	0,034	0,498	6
		207							552	540	1415	25485	88,70		0,492	
			217						580	570	1415	25461	89,07		0,489	
				239					636	610	1415	25462	89,89		0,485	
					250				664	640	1415	25442	90,18		0,483	
						291			775	700	1415	25412	91,26		0,477	
							344		914	740	1415	25377	92,24		0,471	
								370	983	770	1415	25349	92,58		0,469	

* by field weakening at constant power

When required max speed at constant power by field weakening is higher than speed indicated in column “max. rpm”, please contact SICMEMOTORI

Main features

		NP630KML6	NP630KML8
Field power	W	6900	
Inertia	Kgm ²	312	320
Max mechanical speed	rpm	1400	
Weight IC06	kg	10230	10530
Weight IC17-IC37	kg	9850	10150
Weight IC86W	kg	10750	11050
DE bearing	roller	NU244-C3	
NDE bearing	ball	6244-C3	

Blowers data (3x400 V – 50 Hz)

		IC06	IC17-37	IC86W
Blower ac motor	type	160L4A	--	160M4A
Power	kW	15	--	11
Current	A	28,5	--	21,5
Poles	N°.	4	--	4
Dissipated losses	kW	--	--	93
Water flow rate	m ³ /h	--	--	16
Water flanges	DIN2566	--	--	DN65
Air flow rate	m ³ /sec	--	4,64	--
Static pressure	Pa	--	1300	--

Motor type NP630KL

IC06-17-37-86W

Wind. N°.	Base speed (rpm)								P (kW)	Max rpm*	I (A)	T (Nm)	η (%)	R _{arm} (Ohm)	L _{arm} (mH)	Select. code
	400	440	460	500	520	600	700	750								
43	308								922	690	2512	28634	91,77	0,011	0,170	8
		341							1021	700	2512	28613	92,35		0,168	
			357						1070	690	2512	28589	92,55		0,168	
				390					1166	660	2507	28519	93,02		0,167	
					407				1213	650	2502	28449	93,22		0,167	
						474			1396	580	2480	28155	93,80		0,167	
44	288								866	760	2369	28652	91,39	0,013	0,192	8
		320							959	760	2369	28639	92,03		0,190	
			336						1005	760	2369	28603	92,21		0,189	
				367					1096	760	2364	28536	92,74		0,189	
					383				1142	760	2364	28509	92,88		0,188	
						446			1315	770	2343	28224	93,59		0,188	
45	273								800	730	2194	28059	91,18	0,014	0,219	8
		302							886	740	2194	28029	91,79		0,217	
			317						930	750	2194	28032	92,10		0,217	
				347					1015	770	2194	28008	92,56		0,215	
					361				1058	770	2194	27983	92,72		0,215	
						420			1230	770	2194	27950	93,40		0,213	
47	244								712	660	1972	27983	90,32	0,018	0,273	8
		270							790	690	1972	27957	91,03		0,271	
			283						828	730	1972	27927	91,28		0,270	
				310					905	750	1972	27909	91,83		0,268	
					323				944	760	1972	27916	92,12		0,267	
						377			1098	740	1972	27859	92,83		0,265	
49	212								640	570	1791	28894	89,35	0,023	0,346	8
		235							710	590	1791	28846	90,10		0,342	
			247						745	620	1791	28826	90,43		0,341	
				271					816	670	1791	28827	91,12		0,338	
					283				851	710	1791	28810	91,37		0,337	
						329			989	730	1786	28686	92,28		0,334	
50	198								601	550	1685	28948	89,15	0,024	0,392	8
		220							667	570	1685	28894	89,91		0,388	
			231						701	600	1685	28915	90,37		0,386	
				253					766	640	1685	28872	90,94		0,383	
					265				799	680	1685	28853	91,20		0,382	
						309			932	720	1685	28822	92,14		0,378	
51	184								559	530	1585	28901	88,13	0,029	0,448	8
		206							621	540	1585	28878	89,08		0,443	
			216						652	560	1585	28845	89,43		0,440	
				237					714	600	1585	28830	90,17		0,437	
					248				745	640	1585	28804	90,43		0,435	
						289			867	700	1579	28673	91,50		0,431	
51						341			1015	730	1569	28438	92,47	0,428	8	
							367		1089	730	1564	28318	92,84	0,428		

* by field weakening at constant power

Motor type NP630KL

IC06-17-37-86W

Wind. N°.	Base speed (rpm)								P (kW)	Max rpm*	I (A)	T (Nm)	η (%)	R _{arm} (Ohm)	L _{arm} (mH)	Select. code
	400	440	460	500	520	600	700	750								
52	175								529	500	1505	28999	87,85	0,031	0,500	6
		194							588	510	1505	28976	88,83		0,494	
			204						618	530	1505	28967	89,25		0,491	
				223					677	580	1505	28950	90,00		0,487	
					233				707	610	1505	28943	90,33		0,485	
						273			826	690	1505	28919	91,43		0,479	
							322		973	710	1505	28865	92,35		0,473	
								347	1047	710	1505	28858	92,77		0,471	
53	164								493	470	1415	28781	87,08	0,036	0,566	6
		183							549	480	1415	28773	88,19		0,559	
			191						577	500	1415	28744	88,58		0,556	
				211					632	550	1415	28693	89,29		0,550	
					219				660	590	1415	28715	89,74		0,548	
						257			772	640	1415	28675	90,89		0,540	
							304		911	690	1415	28629	91,92		0,533	
								327	979	710	1415	28596	92,28		0,531	

* by field weakening at constant power

When required max speed at constant power by field weakening is higher than speed indicated in column “max. rpm”, please contact SICMEMOTORI

Main features

		NP630KL6	NP630KL8
Field power	W	7500	
Inertia	Kgm ²	336	344
Max mechanical speed	rpm	1400	
Weight IC06	kg	11030	11330
Weight IC17-IC37	kg	10650	10950
Weight IC86W	kg	11550	11850
DE bearing	roller	NU244-C3	
NDE bearing	ball	6244-C3	

Blowers data (3x400 V – 50 Hz)

		IC06	IC17-37	IC86W
Blower ac motor	type	160L4A	--	160M4A
Power	kW	15	--	11
Current	A	28,5	--	21,5
Poles	N°.	4	--	4
Dissipated losses	kW	--	--	93
Water flow rate	m ³ /h	--	--	16
Water flanges	DIN2566	--	--	DN65
Air flow rate	m ³ /sec	--	4,64	--
Static pressure	Pa	--	1300	--

Motor type NP630KX

IC06-17-37-86W

Wind. N°.	Base speed (rpm)								P (kW)	Max rpm*	I (A)	T (Nm)	η (%)	R _{arm} (Ohm)	L _{arm} (mH)	Select. code
	400	440	460	500	520	600	700	750								
43	272								918	610	2512	32279	91,35	0,012	0,192	8
		301							1017	620	2512	32254	91,96		0,191	
			316						1066	610	2512	32258	92,28		0,190	
				346					1160	590	2502	32084	92,71		0,190	
					360				1206	570	2496	32006	92,93		0,190	
						419			1394	510	2480	31780	93,66		0,189	
44	255								863	700	2369	32335	91,05	0,014	0,217	8
		283							955	700	2369	32279	91,62		0,215	
			296						1002	700	2369	32273	91,92		0,214	
				324					1093	700	2364	32193	92,47		0,214	
					338				1136	700	2359	32097	92,65		0,214	
						394			1312	710	2343	31833	93,36		0,213	
45							463		1529	660	2321	31515	94,06	0,213	8	
	241								797	670	2194	31663	90,82	0,248		
		267							883	680	2194	31624	91,46	0,246		
			280						925	700	2194	31589	91,68	0,245		
				306					1012	710	2194	31595	92,27	0,244		
					319				1055	710	2194	31565	92,44	0,243		
47									1227	710	2194	31550	93,24	0,241	8	
							437		1442	710	2194	31495	93,86	0,239		
	215								708	590	1972	31545	89,78	0,310		
		238							785	610	1972	31514	90,54	0,307		
			250						825	640	1972	31520	90,93	0,306		
				274					902	690	1972	31494	91,51	0,304		
49									940	700	1972	31466	91,71	0,303	8	
							333		1095	660	1972	31431	92,56	0,300		
								392	1288	600	1972	31387	93,32	0,297		
								421	1378	570	1961	31217	93,69	0,297		
									636	500	1791	32579	88,76	0,392		
		186							706	530	1791	32523	89,56	0,388		
50		208							742	570	1791	32545	90,04	0,386	8	
			217						812	610	1791	32499	90,65	0,383		
				239					847	640	1791	32479	90,92	0,382		
					250				983	670	1781	32259	91,96	0,379		
						291			1151	680	1770	32033	92,90	0,377		
							344		1234	680	1765	31903	93,21	0,377		
51									597	490	1685	32634	88,52	0,445	8	
		175							664	510	1685	32623	89,48	0,440		
			194						696	540	1685	32595	89,83	0,438		
				204					762	580	1685	32543	90,44	0,434		
					223				796	610	1685	32565	90,83	0,433		
						234			929	670	1685	32523	91,82	0,428		
55									1094	670	1685	32478	92,72	0,423	8	
									1177	670	1685	32459	93,08	0,421		
									554	450	1585	32590	87,46	0,509		
		162							617	470	1585	32562	88,48	0,502		
			181						648	500	1585	32524	88,85	0,500		
				190					708	540	1579	32397	89,66	0,497		
60									739	570	1579	32370	89,96	0,495	8	
									861	630	1574	32233	91,13	0,489		
						255			1012	660	1569	32087	92,18	0,485		
							301		1085	670	1564	31948	92,57	0,484		

* by field weakening at constant power

Motor type NP630KX

IC06-17-37-86W

Wind. N°.	Base speed (rpm)								P (kW)	Max rpm*	I (A)	T (Nm)	η (%)	R _{arm} (Ohm)	L _{arm} (mH)	Select. code
	400	440	460	500	520	600	700	750								
52	153								526	430	1505	32761	87,32	0,033	0,568	6
		171							585	450	1505	32726	88,35		0,561	
			180						614	480	1505	32655	88,64		0,558	
				197					673	510	1505	32634	89,44		0,552	
					206				703	540	1505	32625	89,79		0,550	
						241			822	600	1505	32596	90,96		0,542	
							284		970	630	1505	32569	92,05		0,535	
								307	1043	650	1505	32526	92,39		0,533	
53	144								489	390	1415	32460	86,33	0,038	0,644	6
		160							545	410	1415	32448	87,50		0,635	
			169						572	440	1415	32413	87,93		0,631	
				185					629	470	1415	32407	88,84		0,625	
					193				656	500	1415	32378	89,17		0,622	
						227			767	560	1415	32329	90,39		0,612	
							268		906	590	1415	32275	91,49		0,604	
								289	972	630	1410	32122	91,93		0,603	

* by field weakening at constant power

When required max speed at constant power by field weakening is higher than speed indicated in column “max. rpm”, please contact SICMEMOTORI

Main features

		NP630KX6	NP630KX8
Field power	W	8000	
Inertia	Kgm ²	360	368
Max mechanical speed	rpm	1400	
Weight IC06	kg	11930	12230
Weight IC17-IC37	kg	11550	11850
Weight IC86W	kg	12450	12750
DE bearing	roller	NU244-C3	
NDE bearing	ball	6244-C3	

Blowers data (3x400 V – 50 Hz)

		IC06	IC17-37	IC86W
Blower ac motor	type	160L4A	--	160M4A
Power	kW	15	--	11
Current	A	28,5	--	21,5
Poles	N°.	4	--	4
Dissipated losses	kW	--	--	93
Water flow rate	m ³ /h	--	--	16
Water flanges	DIN2566	--	--	DN65
Air flow rate	m ³ /sec	--	4,64	--
Static pressure	Pa	--	1300	--

Motor type NP710KRS

IC06-17-37-86W

Wind. N°.	Base speed (rpm)								P (kW)	Max rpm*	I (A)	T (Nm)	η (%)	R _{arm} (Ohm)	L _{arm} (mH)	Select. code
	400	440	460	500	520	600	700	750								
04	533								934	970	2523	16731	92,54	0,0078	0,097	8
		589							1031	970	2523	16709	92,91		0,097	
			618						1080	970	2523	16699	93,08		0,097	
				675					1178	970	2523	16683	93,36		0,096	
					703				1226	970	2523	16675	93,49		0,096	
						817			1386	990	2459	16226	93,97		0,098	
							960		1462	1000	2215	14543	94,26		0,108	
06	479								816	970	2215	16285	92,11	0,0098	0,124	8
		530							902	970	2215	16267	92,54		0,123	
			555						946	970	2215	16268	92,78		0,122	
				606					1031	970	2215	16254	93,11		0,122	
					632				1074	970	2215	16239	93,21		0,122	
						734			1246	970	2215	16220	93,70		0,121	
							862		1410	1010	2141	15626	94,06		0,124	
08							927		1442	1060	2041	14858	94,20	0,130	8	
	435								735	890	1998	16139	91,91	0,151		
		482							813	890	1998	16139	92,48	0,150		
			505						851	890	1998	16118	92,61	0,149		
				551					929	890	1998	16102	92,94	0,149		
					574				968	890	1998	16104	93,14	0,148		
						667			1123	890	1998	16079	93,63	0,147		
11							783		1315	890	1998	16049	94,05	0,147	8	
								841	1412	890	1998	16037	94,22	0,146		
	367								651	940	1791	16949	90,83	0,199		
		407							721	940	1791	16934	91,45	0,198		
			426						756	940	1791	16927	91,72	0,197		
				466					825	940	1791	16895	92,07	0,196		
					486				860	940	1791	16890	92,28	0,196		
13							566		1000	940	1791	16877	93,00	0,194	8	
							666		1166	950	1781	16738	93,54	0,193		
								716	1241	960	1765	16574	93,77	0,195		
	326								578	930	1601	16898	90,23	0,251		
		362							639	930	1601	16853	90,76	0,249		
			381						671	930	1601	16861	91,13	0,248		
				416					734	930	1601	16850	91,66	0,246		
17									764	930	1601	16833	91,82	0,245	6	
					434				764	930	1601	16833	91,82	0,245		
						505			889	930	1601	16818	92,60	0,243		
							594		1044	930	1601	16780	93,19	0,241		
								639	1123	930	1601	16780	93,51	0,240		
	267								472	810	1336	16888	88,29	0,368		
		297							525	830	1336	16896	89,29	0,364		
17			312						550	860	1336	16866	89,54	0,362	6	
				342					603	900	1336	16875	90,32	0,359		
					356				629	930	1336	16851	90,51	0,358		
						417			732	960	1336	16818	91,40	0,354		
							490		863	960	1336	16800	92,29	0,350		
								528	928	960	1336	16782	92,59	0,348		

* by field weakening at constant power

When required max speed at constant power by field weakening is higher than speed indicated in column "max. rpm", please contact SICMEMOTORI

Motor type NP710KRS

IC06-17-37-86W

Main features

		NP710KRS6	NP710KRS8
Field power	W	4900	
Inertia	Kgm ²	305	315
Max mechanical speed	rpm	1350	
Weight IC06	kg	9150	9450
Weight IC17-IC37	kg	8700	9000
Weight IC86W	kg	9750	10050
DE bearing	roller+ball	NU244-C3 + 6044-C3	
NDE bearing	roller	NU244-C3	

Blowers data (3x400 V – 50 Hz)

		IC06	IC17-37	IC86W
Blower ac motor	type	2 x 132L4	--	180M4A
Power	kW	2 x 9,2	--	18,5
Current	A	2 x 20	--	35
Poles	N°.	4	--	4
Dissipated losses	kW	--	--	140
Water flow rate	m ³ /h	--	--	25
Water flanges	DIN2566	--	--	DN65
Air flow rate	m ³ /sec	--	5,4	--
Static pressure	Pa	--	1250	--

Motor type NP710KRM

IC06-17-37-86W

Wind. N°.	Base speed (rpm)								P (kW)	Max rpm*	I (A)	T (Nm)	η (%)	R _{arm} (Ohm)	L _{arm} (mH)	Select. code
	400	440	460	500	520	600	700	750								
04	472								933	910	2523	18878	92,44	0,0082	0,110	8
		522							1031	910	2523	18871	92,91		0,109	
			548						1080	910	2523	18859	93,08		0,109	
				597					1178	910	2523	18836	93,36		0,109	
					622				1226	910	2523	18826	93,49		0,108	
						723			1401	930	2486	18518	93,96		0,109	
							850		1523	1000	2306	17118	94,38		0,117	
06	424								815	920	2215	18378	91,99	0,0102	0,140	8
		469							901	920	2215	18355	92,43		0,139	
			491						944	920	2215	18356	92,68		0,138	
				537					1030	920	2215	18338	93,01		0,138	
					559				1074	920	2215	18339	93,21		0,137	
						650			1246	920	2215	18312	93,70		0,137	
							763		1449	930	2200	18142	94,11		0,137	
08							820		1496	960	2115	17414	94,30	0,142	8	
	384								734	840	1998	18211	91,78	0,170		
		426							812	840	1998	18209	92,36	0,169		
			447						850	840	1998	18185	92,49	0,169		
				488					929	840	1998	18186	92,94	0,168		
					509				967	840	1998	18166	93,04	0,168		
						591			1123	840	1998	18152	93,63	0,166		
11							694		1315	840	1998	18114	94,05	0,165	8	
								746	1412	840	1998	18099	94,22	0,165		
	324								645	890	1791	19011	90,03	0,225		
		360							719	890	1791	19088	91,18	0,224		
			378						754	890	1791	19080	91,46	0,223		
				413					824	890	1791	19067	91,95	0,222		
					430				859	890	1791	19062	92,17	0,221		
13								501	999	890	1791	19042	92,90	0,219	8	
								589	1169	890	1786	18954	93,51	0,218		
								634	1249	900	1776	18828	93,77	0,218		
	288								576	870	1601	19050	89,90	0,284		
		320							638	870	1601	19031	90,61	0,281		
			336						670	870	1601	19038	90,99	0,280		
				368					731	870	1601	18994	91,39	0,278		
17									763	870	1601	19002	91,70	0,277	8	
						448			888	870	1601	18981	92,49	0,275		
							526		1044	870	1601	18951	93,19	0,272		
								566	1121	870	1601	18932	93,42	0,271		
	236								471	710	1336	19086	88,10	0,416		
		262							523	730	1336	19050	88,93	0,412		
			276						549	760	1336	19053	89,37	0,410		
17				302					601	800	1336	19026	90,00	0,406	6	
					316				628	840	1336	19029	90,35	0,405		
						368			731	900	1336	18987	91,27	0,400		
							434		862	900	1336	18960	92,18	0,395		
								467	926	910	1336	18939	92,49	0,394		

* by field weakening at constant power

When required max speed at constant power by field weakening is higher than speed indicated in column "max. rpm", please contact SICMEMOTORI

Motor type NP710KRM

IC06-17-37-86W

Main features

		NP710KRM6	NP710KRM8
Field power	W	5300	
Inertia	Kgm ²	330	340
Max mechanical speed	rpm	1350	
Weight IC06	kg	9600	9900
Weight IC17-IC37	kg	9150	9450
Weight IC86W	kg	10200	10500
DE bearing	roller+ball	NU244-C3 + 6044-C3	
NDE bearing	roller	NU244-C3	

Blowers data (3x400 V – 50 Hz)

		IC06	IC17-37	IC86W
Blower ac motor	type	2 x 132L4	--	180M4A
Power	kW	2 x 9,2	--	18,5
Current	A	2 x 20	--	35
Poles	N°.	4	--	4
Dissipated losses	kW	--	--	140
Water flow rate	m ³ /h	--	--	25
Water flanges	DIN2566	--	--	DN65
Air flow rate	m ³ /sec	--	5,4	--
Static pressure	Pa	--	1250	--

Motor type NP710KR

IC06-17-37-86W

Wind. N°.	Base speed (rpm)								P (kW)	Max rpm*	I (A)	T (Nm)	η (%)	R _{arm} (Ohm)	L _{arm} (mH)	Select. code
	400	440	460	500	520	600	700	750								
04	417								932	860	2523	21304	92,33	0,0086	0,124	8
		462							1030	860	2523	21292	92,82		0,124	
			484						1079	860	2523	21277	92,99		0,123	
				529					1177	860	2523	21250	93,28		0,123	
					551				1226	860	2523	21256	93,49		0,122	
						641			1410	860	2502	21032	93,93		0,123	
							752		1576	910	2385	20007	94,41		0,128	
06	375								814	850	2215	20744	91,87	0,0107	0,158	8
		416							900	860	2215	20715	92,32		0,157	
			435						943	870	2215	20714	92,57		0,156	
				476					1029	870	2215	20691	92,92		0,156	
					495				1073	870	2215	20691	93,12		0,155	
						576			1244	870	2215	20656	93,62		0,154	
							676		1460	870	2215	20632	94,12		0,153	
08							726		1537	880	2173	20211	94,31	0,156		
	341								732	790	1998	20553	91,64	0,0125	0,193	8
		377							811	790	1998	20548	92,24		0,191	
			395						849	790	1998	20519	92,38		0,191	
				432					928	790	1998	20517	92,84		0,190	
					450				966	790	1998	20494	92,94		0,189	
						523			1121	790	1998	20475	93,55		0,188	
						615		1315	790	1998	20445	94,05	0,187			
11							660		1412	790	1998	20425	94,22	0,186		
	286								648	830	1791	21576	90,38	0,0174	0,255	8
		318							718	830	1791	21551	91,04		0,253	
			334						753	830	1791	21541	91,33		0,252	
				365					823	830	1791	21523	91,83		0,250	
					381				858	830	1791	21515	92,06		0,250	
						444			997	830	1791	21488	92,80		0,247	
						522		1171	830	1791	21444	93,41	0,245			
13							561		1251	840	1781	21296	93,65	0,246		
	255								573	770	1601	21483	89,57	0,0215	0,321	8
		283							636	780	1601	21459	90,31		0,318	
			297						668	800	1601	21467	90,70		0,317	
				325					730	820	1601	21447	91,26		0,315	
					340				761	820	1601	21424	91,44		0,314	
						396			886	820	1601	21398	92,27		0,310	
						466		1042	820	1601	21364	93,00	0,307			
17							501		1120	820	1601	21361	93,33	0,306		
	208								469	600	1336	21529	87,70	0,0323	0,472	6
		231							520	620	1336	21487	88,56		0,466	
			243						547	650	1336	21490	89,03		0,464	
				267					599	680	1336	21456	89,68		0,460	
					279				625	710	1336	21460	90,05		0,458	
						325			729	800	1336	21409	91,01		0,452	
						384		860	830	1336	21377	91,95	0,447			
							414		925	850	1336	21376	92,38	0,445		

* by field weakening at constant power

When required max speed at constant power by field weakening is higher than speed indicated in column "max. rpm", please contact SICMEMOTORI

Motor type NP710KR

IC06-17-37-86W

Main features

		NP710KR6	NP710KR8
Field power	W	5700	
Inertia	Kgm ²	355	365
Max mechanical speed	rpm	1350	
Weight IC06	kg	10100	10400
Weight IC17-IC37	kg	9650	9950
Weight IC86W	kg	10700	11000
DE bearing	roller+ball	NU244-C3 + 6044-C3	
NDE bearing	roller	NU244-C3	

Blowers data (3x400 V – 50 Hz)

		IC06	IC17-37	IC86W
Blower ac motor	type	2 x 132L4	--	180M4A
Power	kW	2 x 9,2	--	18,5
Current	A	2 x 20	--	35
Poles	N°.	4	--	4
Dissipated losses	kW	--	--	140
Water flow rate	m ³ /h	--	--	25
Water flanges	DIN2566	--	--	DN65
Air flow rate	m ³ /sec	--	5,4	--
Static pressure	Pa	--	1250	--



Motor type NP710KS

IC06-17-37-86W

Wind. N°.	Base speed (rpm)								P (kW)	Max rpm*	I (A)	T (Nm)	η (%)	R _{arm} (Ohm)	L _{arm} (mH)	Select. code
	400	440	460	500	520	600	700	750								
04	377								930	800	2523	23579	92,12	0,0090	0,138	8
		417							1028	800	2523	23563	92,63		0,137	
			437						1077	800	2523	23546	92,80		0,137	
				478					1176	800	2523	23535	93,19		0,136	
					497				1224	800	2523	23521	93,33		0,136	
						578			1412	810	2507	23343	93,87		0,136	
							680		1603	840	2427	22547	94,32		0,139	
06	338								812	810	2215	22959	91,63	0,0113	0,175	8
		374							898	810	2215	22926	92,11		0,174	
			392						941	810	2215	22923	92,37		0,173	
				428					1028	810	2215	22920	92,82		0,173	
					447				1071	810	2215	22896	92,93		0,172	
						519			1243	810	2215	22875	93,54		0,171	
							610		1458	810	2215	22827	93,99		0,170	
08								655	1558	820	2205	22712	94,23	0,170		
	307								730	720	1998	22742	91,38	0,0131	0,214	8
		340							809	730	1998	22735	91,99		0,212	
			356						848	740	1998	22731	92,26		0,212	
				389					925	740	1998	22700	92,63		0,210	
					406				965	740	1998	22699	92,84		0,210	
						472			1120	740	1998	22672	93,46		0,208	
						554		1314	740	1998	22635	93,98	0,207			
11								596	1411	740	1998	22612	94,15	0,206		
	258								646	780	1791	23887	90,09	0,0183	0,283	8
		286							716	780	1791	23858	90,77		0,281	
			301						750	780	1791	23845	91,07		0,280	
				329					820	780	1791	23823	91,60		0,278	
					344				855	780	1791	23813	91,83		0,277	
						400			995	780	1791	23780	92,60		0,274	
						471		1169	780	1791	23730	93,24	0,272			
13								507	1250	780	1781	23583	93,57	0,272		
	229								571	690	1601	23793	89,24	0,0227	0,357	8
		255							634	710	1601	23762	90,01		0,353	
			268						666	740	1601	23768	90,41		0,352	
				293					728	770	1601	23744	90,99		0,349	
					306				759	770	1601	23717	91,19		0,348	
						356			884	770	1601	23686	92,05		0,344	
						420		1040	770	1601	23645	92,81	0,341			
17								452	1118	770	1601	23640	93,16	0,340		
	186								465	560	1336	23799	87,10	0,0339	0,525	6
		208							518	580	1336	23801	88,20		0,519	
			218						544	610	1336	23756	88,51		0,516	
				240					597	650	1336	23762	89,37		0,511	
					250				623	690	1336	23765	89,74		0,509	
						293			727	780	1336	23704	90,74		0,502	
						347		858	800	1336	23665	91,72	0,496			
							373	923	800	1336	23663	92,17	0,493			

* by field weakening at constant power

When required max speed at constant power by field weakening is higher than speed indicated in column "max. rpm", please contact SICMEMOTORI

Motor type NP710KS

IC06-17-37-86W

Main features

		NP710KS6	NP710KS8
Field power	W	6100	
Inertia	Kgm ²	385	395
Max mechanical speed	rpm	1250	
Weight IC06	kg	10750	11050
Weight IC17-IC37	kg	10300	10600
Weight IC86W	kg	11350	11650
DE bearing	roller+ball	NU248-C3 + 6048-C3	
NDE bearing	roller	NU248-C3	

Blowers data (3x400 V – 50 Hz)

		IC06	IC17-37	IC86W
Blower ac motor	type	2 x 132L4	--	180M4A
Power	kW	2 x 9,2	--	18,5
Current	A	2 x 20	--	35
Poles	N°.	4	--	4
Dissipated losses	kW	--	--	140
Water flow rate	m ³ /h	--	--	25
Water flanges	DIN2566	--	--	DN65
Air flow rate	m ³ /sec	--	5,4	--
Static pressure	Pa	--	1250	--



Motor type NP710KSM

IC06-17-37-86W

Wind. N°.	Base speed (rpm)								P (kW)	Max rpm*	I (A)	T (Nm)	η (%)	R _{arm} (Ohm)	L _{arm} (mH)	Select. code
	400	440	460	500	520	600	700	750								
04	338								929	760	2523	26247	92,02	0,0094	0,154	8
		374							1026	760	2523	26198	92,44		0,153	
			392						1076	760	2523	26203	92,71		0,152	
				428					1174	760	2523	26188	93,11		0,152	
					447				1223	760	2523	26170	93,25		0,151	
						519			1414	760	2512	26029	93,81		0,151	
							610		1626	770	2465	25471	94,26		0,153	
06	303								810	760	2215	25531	91,39	0,0118	0,195	8
		336							897	760	2215	25521	92,00		0,194	
			352						940	760	2215	25516	92,26		0,193	
				384					1026	760	2215	25483	92,63		0,192	
					401				1070	760	2215	25480	92,84		0,192	
						466			1242	760	2215	25451	93,46		0,190	
							548		1458	760	2215	25411	93,99		0,189	
08							589	1565	760	2215	25387	94,16	0,188			
	275							729	690	1998	25319	91,25	0,0137	0,238	8	
		305						807	690	1998	25273	91,75		0,237		
			319					846	690	1998	25269	92,03		0,236		
				350				924	690	1998	25261	92,52		0,234		
					364			964	690	1998	25259	92,74		0,234		
						424		1119	690	1998	25224	93,37		0,232		
						498	1313	690	1998	25178	93,90	0,230				
11							536	1410	690	1998	25150	94,08	0,230			
	231							642	690	1791	26527	89,65	0,0192	0,316	8	
		257						713	700	1791	26535	90,51		0,313		
			270					748	720	1791	26519	90,82		0,312		
				295				818	730	1791	26493	91,36		0,310		
					308			853	730	1791	26481	91,60		0,309		
						359		993	730	1791	26441	92,41		0,306		
						422	1168	730	1791	26406	93,15	0,303				
13							454	1252	730	1786	26310	93,45	0,303			
	206							569	610	1601	26472	88,91	0,0238	0,398	8	
		228						632	630	1601	26436	89,71		0,394		
			240					664	660	1601	26441	90,12		0,393		
				263				726	690	1601	26412	90,73		0,390		
					274			757	710	1601	26380	90,93		0,388		
						320		882	720	1601	26341	91,83		0,384		
						377	1039	720	1601	26318	92,72	0,380				
17							406	1116	720	1601	26285	92,98	0,378			
	167							463	500	1336	26491	86,71	0,0356	0,587	6	
		186						515	510	1336	26435	87,66		0,580		
			196					542	530	1336	26437	88,16		0,576		
				215				595	580	1336	26440	89,05		0,571		
					224			620	620	1336	26395	89,29		0,568		
						263		725	700	1336	26368	90,48		0,560		
						311	855	730	1336	26319	91,50	0,553				
						335	921	730	1336	26315	91,96	0,550				

* by field weakening at constant power

When required max speed at constant power by field weakening is higher than speed indicated in column "max. rpm", please contact SICMEMOTORI

Motor type NP710KSM

IC06-17-37-86W

Main features

		NP710KSM6	NP710KSM8
Field power	W	6600	
Inertia	Kgm ²	420	430
Max mechanical speed	rpm	1250	
Weight IC06	kg	11350	11650
Weight IC17-IC37	kg	10900	11200
Weight IC86W	kg	11950	12250
DE bearing	roller+ball	NU248-C3 + 6048-C3	
NDE bearing	roller	NU248-C3	

Blowers data (3x400 V – 50 Hz)

		IC06	IC17-37	IC86W
Blower ac motor	type	2 x 132L4	--	180M4A
Power	kW	2 x 9,2	--	18,5
Current	A	2 x 20	--	35
Poles	N°.	4	--	4
Dissipated losses	kW	--	--	140
Water flow rate	m ³ /h	--	--	25
Water flanges	DIN2566	--	--	DN65
Air flow rate	m ³ /sec	--	5,4	--
Static pressure	Pa	--	1250	--



Motor type NP710KM

IC06-17-37-86W

Wind. N°.	Base speed (rpm)								P (kW)	Max rpm*	I (A)	T (Nm)	η (%)	R _{arm} (Ohm)	L _{arm} (mH)	Select. code
	400	440	460	500	520	600	700	750								
04	306								925	710	2523	28894	91,70	0,0100	0,170	8
		339							1024	710	2523	28870	92,25		0,169	
			355						1073	710	2523	28845	92,44		0,168	
				388					1171	710	2523	28829	92,86		0,167	
					405				1221	710	2523	28834	93,08		0,167	
						471			1414	710	2518	28719	93,61		0,166	
							553		1631	720	2475	28186	94,16		0,168	
06	274								808	710	2215	28143	91,15	0,0125	0,216	8
		304							894	710	2215	28094	91,67		0,214	
			318						937	710	2215	28090	91,95		0,213	
				349					1024	710	2215	28081	92,44		0,212	
					363				1067	710	2215	28077	92,66		0,212	
						422			1239	710	2215	28017	93,22		0,210	
							497		1455	710	2215	27992	93,85		0,208	
08							534	1562	710	2215	27963	94,04	0,208	0,0145	0,263	8
	249							726	640	1998	27862	90,85	0,261			
		276							805	640	1998	27847	91,51		0,260	
			289						844	640	1998	27842	91,80		0,259	
				317					922	640	1998	27831	92,31		0,258	
					330				960	640	1998	27796	92,43		0,256	
						384			1117	640	1998	27786	93,19		0,254	
11							451	1311	640	1998	27732	93,75	0,253	0,0202	0,350	8
							485	1409	640	1998	27721	94,01	0,346			
	209							640	610	1791	29256	89,35	0,345			
		232						710	630	1791	29215	90,10	0,342			
			244					745	660	1791	29197	90,43	0,341			
				267				815	680	1791	29166	91,01	0,338			
					279			850	680	1791	29153	91,26	0,334			
13						325		991	680	1791	29141	92,21	0,334	0,0251	0,441	8
							383	1166	680	1791	29096	92,98	0,437			
	185						412	1250	680	1786	28988	93,29	0,434			
		207						566	550	1601	29154	88,41	0,431			
			217					629	570	1601	29112	89,25	0,429			
				238				660	600	1601	29117	89,69	0,420			
					248			723	650	1601	29083	90,33	0,418			
17						289		754	670	1601	29048	90,55	0,651	0,0375	0,642	6
							342	880	670	1601	29038	91,61	0,639			
							368	1036	670	1601	28976	92,43	0,632			
	150							1114	670	1601	28967	92,80	0,629			
		168						460	430	1336	29183	86,11	0,620			
			177					513	450	1336	29177	87,30	0,611			
				194				538	480	1336	29118	87,65	0,610			
17					203			591	520	1336	29120	88,57	0,610	0,0375	0,651	6
						238		617	550	1336	29071	88,83	0,642			
							281	722	630	1336	29038	90,08	0,639			
							303	853	670	1336	29017	91,27	0,632			
								915	700	1330	28867	91,69	0,620		0,611	

* by field weakening at constant power

When required max speed at constant power by field weakening is higher than speed indicated in column "max. rpm", please contact SICMEMOTORI

Motor type NP710KM

IC06-17-37-86W

Main features

		NP710KM6	NP710KM8
Field power	W	7000	
Inertia	Kgm ²	455	465
Max mechanical speed	rpm	1250	
Weight IC06	kg	12000	12300
Weight IC17-IC37	kg	11550	11850
Weight IC86W	kg	12650	12950
DE bearing	roller+ball	NU248-C3 + 6048-C3	
NDE bearing	roller	NU248-C3	

Blowers data (3x400 V – 50 Hz)

		IC06	IC17-37	IC86W
Blower ac motor	type	2 x 132L4	--	180M4A
Power	kW	2 x 9,2	--	18,5
Current	A	2 x 20	--	35
Poles	N°.	4	--	4
Dissipated losses	kW	--	--	140
Water flow rate	m ³ /h	--	--	25
Water flanges	DIN2566	--	--	DN65
Air flow rate	m ³ /sec	--	5,4	--
Static pressure	Pa	--	1250	--

Motor type NP710KML

IC06-17-37-86W

Wind. N°.	Base speed (rpm)								P (kW)	Max rpm*	I (A)	T (Nm)	η (%)	R _{arm} (Ohm)	L _{arm} (mH)	Select. code
	400	440	460	500	520	600	700	750								
04	271								922	660	2523	32531	91,39	0,0106	0,192	8
		300							1021	660	2523	32502	91,96		0,190	
			315						1071	660	2523	32505	92,25		0,190	
				344					1169	660	2523	32481	92,69		0,189	
					358				1218	660	2523	32457	92,84		0,188	
						417			1415	660	2523	32424	93,49		0,187	
							490		1637	670	2486	31890	94,06		0,188	
06	243								805	660	2215	31687	90,79	0,0133	0,244	8
		269							891	660	2215	31668	91,45		0,242	
			283						935	660	2215	31660	91,74		0,241	
				309					1021	660	2215	31612	92,15		0,240	
					321				1064	660	2215	31607	92,38		0,239	
						375			1237	660	2215	31563	93,06		0,237	
							441		1453	660	2215	31529	93,71		0,235	
08							474	1560	660	2215	31493	93,91	0,234	0,0153	0,298	8
	220							724	590	1998	31405	90,58	0,295			
		245							802	590	1998	31383	91,27		0,294	
			256						842	590	1998	31374	91,57		0,292	
				281					919	590	1998	31322	91,99		0,292	
					292				958	590	1998	31316	92,23		0,289	
						341			1114	590	1998	31268	92,93		0,287	
11							401	1309	590	1998	31231	93,60	0,286	0,0214	0,396	8
							430	1407	590	1998	31216	93,86	0,392			
	184							637	540	1791	32953	88,91	0,390			
		205							707	560	1791	32902	89,70		0,387	
			216						742	590	1791	32882	90,04		0,386	
				236					812	620	1791	32844	90,65		0,381	
					247				847	630	1791	32827	90,92		0,377	
13							287	988	630	1791	32809	91,91	0,377	0,0267	0,377	8
							339	1163	630	1791	32754	92,73	0,377			
							365	1247	630	1786	32631	93,06	0,500			
	164							563	480	1601	32851	87,91	0,494			
		183						625	500	1601	32798	88,80	0,492			
			191					657	530	1601	32801	89,26	0,487			
				210				720	560	1601	32759	89,93	0,486			
17					219			750	590	1601	32718	90,17	0,479	0,0398	0,479	6
						256		877	630	1601	32701	91,28	0,474			
							302	1032	630	1601	32626	92,15	0,472			
							325	1111	630	1601	32613	92,54	0,739			
	133							457	400	1336	32900	85,52	0,729			
		149						509	410	1336	32820	86,58	0,724			
			156					535	430	1336	32817	87,13	0,716			
17				171				587	470	1336	32755	87,94	0,712	0,0398	0,712	6
					179			614	490	1336	32756	88,37	0,701			
						210		719	570	1336	32711	89,68	0,693			
							249	847	610	1330	32548	90,95	0,689			
							268	912	650	1330	32507	91,37	0,689			

* by field weakening at constant power

When required max speed at constant power by field weakening is higher than speed indicated in column "max. rpm", please contact SICMEMOTORI

Motor type NP710KML

IC06-17-37-86W

Main features

		NP710KML6	NP710KML8
Field power	W	7500	
Inertia	Kgm ²	495	505
Max mechanical speed	rpm	1150	
Weight IC06	kg	12900	13200
Weight IC17-IC37	kg	12450	12750
Weight IC86W	kg	13550	13850
DE bearing	roller+ball	NU252-C3 + 6052-C3	
NDE bearing	roller	NU252-C3	

Blowers data (3x400 V – 50 Hz)

		IC06	IC17-37	IC86W
Blower ac motor	type	2 x 132L4	--	180M4A
Power	kW	2 x 9,2	--	18,5
Current	A	2 x 20	--	35
Poles	N°.	4	--	4
Dissipated losses	kW	--	--	140
Water flow rate	m ³ /h	--	--	25
Water flanges	DIN2566	--	--	DN65
Air flow rate	m ³ /sec	--	5,4	--
Static pressure	Pa	--	1250	--



Motor type NP710KL

IC06-17-37-86W

Wind. N°.	Base speed (rpm)								P (kW)	Max rpm*	I (A)	T (Nm)	η (%)	R _{arm} (Ohm)	L _{arm} (mH)	Select. code
	400	440	460	500	520	600	700	750								
04	244								919	610	2523	36070	91,07	0,0113	0,213	8
		270							1018	610	2523	36032	91,67		0,212	
			283						1067	610	2523	36034	91,98		0,211	
				310					1166	610	2523	36003	92,44		0,210	
					322				1215	610	2523	35975	92,60		0,209	
						376			1412	610	2523	35933	93,28		0,208	
							442		1633	620	2486	35334	93,88		0,209	
06	217								801	610	2215	35140	90,43	0,0142	0,271	8
		242							887	610	2215	35071	91,02		0,269	
			253						931	610	2215	35061	91,33		0,268	
				278					1018	610	2215	35044	91,87		0,266	
					289				1061	610	2215	35036	92,11		0,266	
						337			1234	610	2215	34981	92,82		0,263	
							396		1450	610	2215	34938	93,51		0,261	
08							426		1558	610	2215	34921	93,78	0,260		
	198								721	550	1998	34812	90,19	0,0163	0,331	8
		219							799	550	1998	34784	90,91		0,329	
			230						837	550	1998	34728	91,11		0,327	
				252					916	550	1998	34711	91,67		0,325	
					263				955	550	1998	34704	91,92		0,324	
						307			1111	550	1998	34646	92,66		0,321	
						360		1306	550	1998	34600	93,37	0,318			
11									1403	550	1998	34583	93,65	0,317		
	166								633	480	1791	36503	88,31	0,0228	0,442	8
		184							703	500	1791	36445	89,16		0,437	
			193						738	530	1791	36420	89,53		0,435	
				213					809	560	1791	36425	90,30		0,431	
					221				844	580	1791	36404	90,58		0,429	
						258			984	580	1791	36336	91,52		0,424	
						305		1160	580	1791	36308	92,48	0,419			
13							328		1243	580	1786	36167	92,82	0,419		
	147								559	420	1601	36401	87,25	0,0285	0,558	8
		163							621	440	1601	36338	88,20		0,551	
			172						653	470	1601	36342	88,68		0,548	
				188					716	500	1601	36293	89,40		0,543	
					197				747	530	1601	36297	89,79		0,541	
						230			872	580	1601	36224	90,84		0,534	
						272		1029	580	1601	36176	91,86	0,527			
17							293		1108	580	1601	36157	92,27	0,524		
	118								453	350	1336	36469	84,72	0,0424	0,827	6
		133							505	360	1336	36374	85,86		0,814	
			140						531	380	1336	36370	86,44		0,809	
				153					583	420	1336	36297	87,30		0,799	
					160				610	440	1336	36297	87,76		0,795	
						188			714	510	1336	36242	89,15		0,781	
						223		843	550	1330	36057	90,50	0,772			
							241	904	600	1325	35872	90,99	0,770			

* by field weakening at constant power

When required max speed at constant power by field weakening is higher than speed indicated in column "max. rpm", please contact SICMEMOTORI

Motor type NP710KL

IC06-17-37-86W

Main features

		NP710KL6	NP710KL8
Field power	W	8000	
Inertia	Kgm ²	545	555
Max mechanical speed	rpm	1150	
Weight IC06	kg	13950	14150
Weight IC17-IC37	kg	13400	13700
Weight IC86W	kg	14550	14850
DE bearing	roller+ball	NU252-C3 + 6052-C3	
NDE bearing	roller	NU252-C3	

Blowers data (3x400 V – 50 Hz)

		IC06	IC17-37	IC86W
Blower ac motor	type	2 x 132L4	--	180M4A
Power	kW	2 x 9,2	--	18,5
Current	A	2 x 20	--	35
Poles	N°.	4	--	4
Dissipated losses	kW	--	--	140
Water flow rate	m ³ /h	--	--	25
Water flanges	DIN2566	--	--	DN65
Air flow rate	m ³ /sec	--	5,4	--
Static pressure	Pa	--	1250	--



Motor type NP710KX

IC06-17-37-86W

Wind. N°.	Base speed (rpm)								P (kW)	Max rpm*	I (A)	T (Nm)	η (%)	R _{arm} (Ohm)	L _{arm} (mH)	Select. code
	400	440	460	500	520	600	700	750								
04	215								915	560	2523	40677	90,65	0,0120	0,242	8
		238							1013	560	2523	40630	91,29		0,240	
			250						1063	560	2523	40630	91,61		0,239	
				274					1162	560	2523	40594	92,10		0,237	
					285				1212	560	2523	40596	92,36		0,237	
						332			1409	560	2523	40541	93,07		0,235	
							391		1638	570	2496	40043	93,72		0,235	
06	192								797	570	2215	39631	89,95	0,0152	0,308	8
		214							884	570	2215	39596	90,69		0,305	
			224						928	570	2215	39581	91,01		0,304	
				245					1013	570	2215	39514	91,48		0,302	
					255				1057	570	2215	39505	91,74		0,301	
						298			1231	570	2215	39473	92,58		0,298	
							350		1447	570	2215	39415	93,30		0,295	
08								378	1555	570	2215	39392	93,59	0,294	8	
	175								717	500	1998	39239	89,66	0,376		
		194							795	500	1998	39207	90,43	0,372		
			203						834	500	1998	39192	90,76	0,371		
				222					913	500	1998	39168	91,35	0,368		
					232				952	500	1998	39157	91,61	0,367		
						271			1108	500	1998	39084	92,40	0,363		
11								319	1304	500	1998	39058	93,22	0,360	8	
								343	1401	500	1998	39032	93,51	0,358		
	146								629	470	1791	41186	87,72	0,502		
		162							699	480	1791	41115	88,62	0,496		
			171						734	510	1791	41084	89,01	0,493		
				187					805	540	1791	41086	89,82	0,489		
					195				840	540	1791	41060	90,12	0,487		
13								228	981	540	1791	41021	91,22	0,480	8	
								270	1155	540	1791	40939	92,14	0,475		
								290	1239	540	1786	40778	92,50	0,474		
	129								553	390	1601	41012	86,42	0,635		
		144							617	410	1601	41012	87,60	0,627		
			151						648	440	1601	40945	87,96	0,623		
				166					711	480	1601	40951	88,87	0,617		
17								174	742	510	1601	40896	89,15	0,614	8	
								203	868	530	1601	40862	90,40	0,605		
								240	1025	530	1601	40801	91,49	0,597		
								258	1103	530	1601	40777	91,92	0,594		
									447	330	1336	41098	83,73	0,943		
		104							500	350	1336	41076	85,14	0,927		
			117						527	380	1336	41067	85,75	0,921		
17			122						579	410	1336	40975	86,67	0,909	6	
				135					605	440	1336	40972	87,15	0,904		
					141				708	510	1330	40759	88,71	0,890		
						166			835	560	1325	40507	90,06	0,878		
							197		900	560	1325	40463	90,56	0,873		
								213								

* by field weakening at constant power

When required max speed at constant power by field weakening is higher than speed indicated in column "max. rpm", please contact SICMEMOTORI

Motor type NP710KX

IC06-17-37-86W

Main features

		NP710KX6	NP710KX8
Field power	W	8800	
Inertia	Kgm ²	600	610
Max mechanical speed	rpm	1150	
Weight IC06	kg	14850	15150
Weight IC17-IC37	kg	14400	14700
Weight IC86W	kg	15550	15850
DE bearing	roller+ball	NU252-C3 + 6052-C3	
NDE bearing	roller	NU252-C3	

Blowers data (3x400 V – 50 Hz)

		IC06	IC17-37	IC86W
Blower ac motor	type	2 x 132L4	--	180M4A
Power	kW	2 x 9,2	--	18,5
Current	A	2 x 20	--	35
Poles	N°.	4	--	4
Dissipated losses	kW	--	--	140
Water flow rate	m ³ /h	--	--	25
Water flanges	DIN2566	--	--	DN65
Air flow rate	m ³ /sec	--	5,4	--
Static pressure	Pa	--	1250	--

Motor type NP800KRS

IC06-17-37-86W

Wind. N°.	Base speed (rpm)							P (kW)	Max rpm*	I (A)	T (Nm)	η (%)	R _{arm} (Ohm)	L _{arm} (mH)	Select. code
	440	460	500	520	600	700	750								
537								1338	910	3281	23812	92,67	0,006	0,061	8
		562						1399	920	3275	23768	92,87		0,061	
			614					1514	930	3249	23556	93,18		0,062	
				640				1567	940	3228	23396	93,34		0,062	
					744			1750	970	3111	22495	93,75		0,064	
506								1262	920	3095	23832	92,70	0,007	0,069	8
		530						1323	920	3095	23833	92,91		0,069	
			579					1438	920	3085	23744	93,26		0,069	
				603				1498	920	3085	23732	93,38		0,069	
					700			1727	910	3069	23573	93,78		0,069	
478								1919	970	2910	22299	94,20	0,072	8	
		501						1170	930	2873	23387	92,59	0,079		
			547					1224	920	2867	23348	92,82	0,079		
				570				1332	920	2862	23282	93,11	0,079		
					661			1385	920	2857	23234	93,26	0,079		
						776		1601	930	2846	23123	93,73	0,078		
							834	1860	940	2825	22907	94,08	0,078		
430								1937	970	2740	22191	94,24	0,081	8	
		450						1049	830	2581	23320	92,40	0,097		
			492					1099	840	2581	23308	92,58	0,097		
				513				1198	840	2576	23263	93,00	0,097		
					595			1248	840	2576	23254	93,15	0,097		
						699		1441	850	2565	23120	93,60	0,097		
							750	1682	850	2555	23005	94,07	0,096		
391								1801	850	2549	22933	94,19	0,096	8	
		410						947	840	2332	23132	92,25	0,119		
			448					992	840	2332	23132	92,49	0,118		
				466				1080	850	2327	23063	92,85	0,118		
					542			1126	840	2327	23066	93,04	0,118		
						636		1300	860	2316	22923	93,52	0,118		
351								1517	860	2306	22794	93,99	0,117	8	
								683	1625	860	2300	22735	94,19		0,117
		369						893	870	2221	24249	91,34	0,138		
			403					934	870	2215	24192	91,64	0,138		
				420				1021	870	2215	24199	92,15	0,138		
					488			1061	880	2210	24127	92,33	0,138		
						575		1230	890	2205	24041	92,95	0,137		
						617	1441	890	2200	23968	93,56	0,136			
							1543	890	2194	23897	93,78	0,136			

* by field weakening at constant power

When required max speed at constant power by field weakening is higher than speed indicated in column "max. rpm", please contact SICMEMOTORI

Motor type NP800KRS

IC06-17-37-86W

Main features

		NP800KRS6	NP800KRS8
Field power	W	5800	
Inertia	Kgm ²	525	535
Max mechanical speed	rpm	1250	
Weight IC06	kg		
Weight IC17-IC37	kg	10300	10650
Weight IC86W	kg	11500	11850
DE bearing	roller+ball	NU248-C3 + 6048-C3	
NDE bearing	roller	NU248-C3	

Blowers data (3x400 V – 50 Hz)

		IC06	IC17-37	IC86W
Blower ac motor	type	--	--	180M4A
Power	kW	--	--	18,5
Current	A	--	--	35
Poles	N°.	--	--	4
Dissipated losses	kW	--	--	160
Water flow rate	m ³ /h	--	--	35
Water flanges	DIN2566	--	--	DN65
Air flow rate	m ³ /sec	--	6	--
Static pressure	Pa	--	1200	--

Motor type NP800KRM

IC06-17-37-86W

Wind. N°.	Base speed (rpm)							P (kW)	Max rpm*	I (A)	T (Nm)	η (%)	R _{arm} (Ohm)	L _{arm} (mH)	Select. code
	440	460	500	520	600	700	750								
	477							1341	850	3291	26862	92,59	0,007	0,069	8
		500						1402	870	3286	26807	92,78		0,069	
			546					1520	870	3265	26615	93,12		0,069	
				569				1573	880	3244	26428	93,26		0,069	
					661			1774	890	3154	25659	93,78		0,071	
	450							1266	850	3106	26887	92,62	0,007	0,077	8
		472						1324	850	3101	26838	92,83		0,077	
			515					1442	850	3095	26773	93,15		0,077	
				536				1502	860	3095	26774	93,32		0,077	
					622			1733	870	3079	26609	93,80		0,077	
					731		1958	900	2968	25596	94,23	0,079			
	425							1171	870	2878	26345	92,50	0,008	0,088	8
		446						1225	870	2873	26297	92,73		0,088	
			486					1335	870	2867	26236	93,09		0,088	
				507				1390	870	2867	26220	93,20		0,088	
					588			1606	870	2857	26095	93,69		0,088	
						690		1875	880	2846	25966	94,12		0,088	
						742	1979	890	2798	25508	94,29	0,089			
	382							1050	790	2586	26275	92,31	0,009	0,109	8
		400						1100	790	2586	26257	92,48		0,109	
			437					1199	790	2581	26200	92,90		0,109	
				455				1249	790	2581	26187	93,03		0,109	
					529			1444	790	2571	26063	93,61		0,108	
						621		1685	790	2560	25919	94,06		0,108	
						667	1805	790	2555	25846	94,22	0,108			
	348							948	800	2337	26070	92,15	0,011	0,133	8
		364						993	800	2337	26066	92,38		0,133	
			398					1081	800	2332	25980	92,73		0,132	
				415				1127	800	2332	25980	92,92		0,132	
					482			1303	800	2321	25851	93,53		0,132	
						565		1524	800	2316	25762	94,02		0,131	
						608	1632	810	2311	25684	94,19	0,131			
	313							891	820	2221	27274	91,23	0,013	0,156	8
		327						935	820	2221	27273	91,52		0,155	
			358					1021	820	2221	27244	91,93		0,155	
				373				1062	830	2215	27186	92,20		0,154	
					434			1232	830	2210	27100	92,89		0,154	
						511		1443	830	2205	27001	93,48		0,153	
						549	1547	830	2200	26934	93,75	0,153			

* by field weakening at constant power

When required max speed at constant power by field weakening is higher than speed indicated in column "max. rpm", please contact SICMEMOTORI

Motor type NP800KRM

IC06-17-37-86W

Main features

		NP800KRM6	NP800KRM8
Field power	W	6200	
Inertia	Kgm ²	570	580
Max mechanical speed	rpm	1250	
Weight IC06	kg		
Weight IC17-IC37	kg	11050	11400
Weight IC86W	kg	12250	12600
DE bearing	roller+ball	NU248-C3 + 6048-C3	
NDE bearing	roller	NU248-C3	

Blowers data (3x400 V – 50 Hz)

		IC06	IC17-37	IC86W
Blower ac motor	type	--	--	180M4A
Power	kW	--	--	18,5
Current	A	--	--	35
Poles	N°.	--	--	4
Dissipated losses	kW	--	--	160
Water flow rate	m ³ /h	--	--	35
Water flanges	DIN2566	--	--	DN65
Air flow rate	m ³ /sec	--	6	--
Static pressure	Pa	--	1200	--



Motor type NP800KR

IC06-17-37-86W

Wind. N°.	Base speed (rpm)							P (kW)	Max rpm*	I (A)	T (Nm)	η (%)	R _{arm} (Ohm)	L _{arm} (mH)	Select. code	
	440	460	500	520	600	700	750									
	424							1341	800	3297	30230	92,44	0,007	0,077	8	
		445						1406	800	3297	30235	92,69				0,077
			485					1521	800	3270	29962	93,03				
				506				1577	820	3254	29812	93,21				
					587			1788	840	3180	29086	93,72				
	400							1267	800	3111	30282	92,54	0,007	0,087	8	
		418						1327	800	3111	30273	92,73				0,087
			457					1446	800	3106	30210	93,11				
				477				1503	810	3101	30139	93,23				
					553			1738	810	3090	30018	93,77				
					650		1989	830	3016	29241	94,20	0,088				
	378							1171	800	2883	29652	92,33	0,008	0,099	8	
		395						1227	800	2883	29648	92,55				0,099
			432					1338	800	2878	29592	92,97				
				450				1391	820	2873	29521	93,10				
					522			1611	820	2867	29448	93,65				
						614		1878	820	2851	29246	94,11				
						659	2012	820	2846	29166	94,25	0,098				
	340							1050	730	2592	29577	92,12	0,010	0,123	8	
		355						1101	730	2592	29581	92,38				0,123
			388					1200	740	2586	29508	92,79				
				405				1250	740	2586	29490	92,92				
					471			1448	740	2581	29405	93,50				
						552		1692	740	2571	29257	94,02				
						593	1813	740	2565	29182	94,21	0,121				
	309							948	740	2343	29351	91,94	0,011	0,150	8	
		323						991	740	2337	29277	92,18				0,150
			353					1082	740	2337	29268	92,61				
				368				1128	740	2337	29265	92,80				
					428			1304	750	2327	29104	93,39				
						503		1526	750	2321	29011	93,93				
						540	1636	750	2316	28936	94,16	0,147				
	278							891	770	2226	30722	91,02	0,014	0,175	8	
		291						935	770	2226	30717	91,30				0,175
			318					1020	770	2221	30638	91,84				
				332				1063	770	2221	30637	92,07				
					385			1233	770	2215	30523	92,74				
						453		1445	770	2210	30420	93,39				
						487	1549	780	2205	30336	93,65	0,171				

* by field weakening at constant power

When required max speed at constant power by field weakening is higher than speed indicated in column "max. rpm", please contact SICMEMOTORI

Motor type NP800KR

IC06-17-37-86W

Main features

		NP800KR6	NP800KR8
Field power	W	6700	
Inertia	Kgm ²	625	635
Max mechanical speed	rpm	1250	
Weight IC06	kg		
Weight IC17-IC37	kg	11500	11850
Weight IC86W	kg	12700	13050
DE bearing	roller+ball	NU248-C3 + 6048-C3	
NDE bearing	roller	NU248-C3	

Blowers data (3x400 V – 50 Hz)

		IC06	IC17-37	IC86W
Blower ac motor	type	--	--	180M4A
Power	kW	--	--	18,5
Current	A	--	--	35
Poles	N°.	--	--	4
Dissipated losses	kW	--	--	160
Water flow rate	m ³ /h	--	--	35
Water flanges	DIN2566	--	--	DN65
Air flow rate	m ³ /sec	--	6	--
Static pressure	Pa	--	1200	--



Motor type NP800KS

IC06-17-37-86W

Wind. N°.	Base speed (rpm)							P (kW)	Max rpm*	I (A)	T (Nm)	η (%)	R _{arm} (Ohm)	L _{arm} (mH)	Select. code
	440	460	500	520	600	700	750								
	377							1341	740	3302	33976	92,30	0,007	0,087	8
		395						1406	750	3302	33978	92,54		0,087	
			432					1522	760	3275	33686	92,95		0,087	
				450				1580	760	3265	33560	93,09		0,087	
					523			1799	780	3201	32862	93,65		0,088	
	355							1267	740	3116	34035	92,38	0,008	0,098	8
		373						1327	740	3116	34020	92,58		0,097	
			407					1446	740	3111	33942	92,95		0,097	
				424				1504	750	3106	33882	93,13		0,097	
					492			1743	760	3101	33796	93,68		0,097	
						579		2013	770	3053	33241	94,20	0,097		
	336							1171	760	2889	33332	92,16	0,009	0,111	8
		352						1229	760	2889	33351	92,46		0,111	
			384					1338	760	2883	33252	92,79		0,111	
				401				1394	760	2883	33247	92,97		0,111	
					465			1612	760	2873	33097	93,54		0,110	
						547		1885	770	2862	32951	94,07		0,110	
						587	2019	770	2857	32868	94,25	0,110			
	302							1050	680	2597	33253	91,93	0,010	0,138	8
		317						1101	680	2597	33253	92,19		0,138	
			346					1200	680	2592	33162	92,60		0,137	
				360				1251	680	2592	33166	92,81		0,137	
					418			1450	690	2586	33079	93,44		0,136	
						492		1694	690	2576	32895	93,94		0,136	
							528	1816	690	2571	32823	94,19	0,136		
	275							946	650	2343	32925	91,73	0,012	0,168	8
		287						991	650	2343	32916	91,97		0,168	
			315					1083	650	2343	32930	92,49		0,167	
				328				1126	690	2337	32824	92,62		0,167	
					381			1306	700	2332	32750	93,33		0,166	
						448		1529	700	2327	32627	93,85		0,165	
						481	1638	700	2321	32535	94,06	0,165			
	247							888	620	2226	34436	90,69	0,015	0,197	8
		258						933	620	2226	34469	91,10		0,196	
			283					1020	650	2226	34454	91,62		0,195	
				295				1063	700	2226	34447	91,85		0,195	
					344			1234	720	2221	34334	92,60		0,193	
						404		1447	720	2215	34225	93,30		0,192	
						434	1551	720	2210	34121	93,56	0,192			

* by field weakening at constant power

When required max speed at constant power by field weakening is higher than speed indicated in column "max. rpm", please contact SICMEMOTORI

Motor type NP800KS

IC06-17-37-86W

Main features

		NP800KS6	NP800KS8
Field power	W	7200	
Inertia	Kgm ²	680	690
Max mechanical speed	rpm	1150	
Weight IC06	kg		
Weight IC17-IC37	kg	12500	12850
Weight IC86W	kg	13800	14150
DE bearing	roller+ball	NU252-C3 + 6052-C3	
NDE bearing	roller	NU252-C3	

Blowers data (3x400 V – 50 Hz)

		IC06	IC17-37	IC86W
Blower ac motor	type	--	--	180M4A
Power	kW	--	--	18,5
Current	A	--	--	35
Poles	N°.	--	--	4
Dissipated losses	kW	--	--	160
Water flow rate	m ³ /h	--	--	35
Water flanges	DIN2566	--	--	DN65
Air flow rate	m ³ /sec	--	6	--
Static pressure	Pa	--	1200	--

Motor type NP800KSM

IC06-17-37-86W

Wind. N°.	Base speed (rpm)							P (kW)	Max rpm*	I (A)	T (Nm)	η (%)	R _{arm} (Ohm)	L _{arm} (mH)	Select. code
	440	460	500	520	600	700	750								
	340							1341	710	3307	37714	92,15	0,008	0,096	8
		356						1406	710	3307	37712	92,39		0,096	
			389					1522	700	3281	37380	92,79		0,096	
				406				1578	720	3265	37182	92,97		0,096	
					472			1804	710	3212	36559	93,62		0,097	
	320							1267	700	3122	37780	92,22	0,008	0,108	8
		336						1327	700	3122	37759	92,42		0,108	
			367					1447	710	3116	37691	92,86		0,107	
				383				1507	710	3116	37676	93,01		0,107	
					445			1744	710	3106	37508	93,57		0,107	
					521		2029	710	3079	37158	94,12	0,107			
	303							1171	710	2894	37004	91,99	0,009	0,124	8
		317						1227	710	2894	36990	92,21		0,123	
			347					1339	710	2889	36931	92,70		0,123	
				361				1392	710	2883	36834	92,83		0,123	
					419			1613	720	2878	36738	93,43		0,122	
						493		1887	720	2867	36582	94,01		0,122	
						529	2026	720	2867	36561	94,20	0,121			
	272						1050	630	2602	36924	91,74	0,011	0,153	8	
		285					1101	630	2602	36918	92,00		0,152		
			312				1200	630	2597	36808	92,41		0,152		
				324			1251	630	2597	36809	92,62		0,152		
					378		1451	630	2592	36726	93,32		0,151		
					444	1696	630	2581	36528	93,87	0,150				
						477	1821	630	2581	36507	94,07	0,150			
	248						943	620	2343	36479	91,53	0,012	0,187	8	
		259					989	630	2343	36467	91,78		0,186		
			283				1081	640	2343	36480	92,31		0,185		
				295			1127	650	2343	36468	92,50		0,185		
					344		1307	650	2337	36368	93,20		0,184		
						404	1531	650	2332	36239	93,77		0,183		
						434	1641	650	2327	36152	94,03	0,183			
	221						886	590	2226	38167	90,48	0,015	0,219	8	
		233					930	600	2226	38158	90,79		0,218		
			254				1017	620	2226	38142	91,33		0,217		
				266			1060	650	2226	38134	91,58		0,216		
					310		1234	670	2226	38111	92,38		0,214		
						364	1448	670	2221	38002	93,15		0,213		
						391	1553	680	2215	37905	93,46	0,212			

* by field weakening at constant power

When required max speed at constant power by field weakening is higher than speed indicated in column "max. rpm", please contact SICMEMOTORI

Motor type NP800KSM

IC06-17-37-86W

Main features

		NP800KSM6	NP800KSM8
Field power	W	7900	
Inertia	Kgm ²	740	750
Max mechanical speed	rpm	1150	
Weight IC06	kg		
Weight IC17-IC37	kg	13100	13450
Weight IC86W	kg	14400	14750
DE bearing	roller+ball	NU252-C3 + 6052-C3	
NDE bearing	roller	NU252-C3	

Blowers data (3x400 V – 50 Hz)

		IC06	IC17-37	IC86W
Blower ac motor	type	--	--	180M4A
Power	kW	--	--	18,5
Current	A	--	--	35
Poles	N°.	--	--	4
Dissipated losses	kW	--	--	160
Water flow rate	m ³ /h	--	--	35
Water flanges	DIN2566	--	--	DN65
Air flow rate	m ³ /sec	--	6	--
Static pressure	Pa	--	1200	--



Motor type NP800KM

IC06-17-37-86W

Wind. N°.	Base speed (rpm)							P (kW)	Max rpm*	I (A)	T (Nm)	η (%)	R _{arm} (Ohm)	L _{arm} (mH)	Select. code
	440	460	500	520	600	700	750								
	304							1340	650	3313	42188	91,93	0,008	0,108	8
		318						1400	650	3302	42046	92,19		0,108	
			348					1519	650	3281	41738	92,60		0,108	
				362				1578	650	3270	41603	92,82		0,108	
					421			1804	650	3217	40888	93,47		0,109	
	286							1266	660	3127	42259	91,99	0,009	0,121	8
		300						1326	660	3127	42231	92,19		0,120	
			328					1446	660	3122	42147	92,63		0,120	
				342				1507	660	3122	42155	92,86		0,120	
					397			1745	660	3111	41976	93,47		0,119	
					467		2034	660	3090	41657	94,05	0,119			
	270							1170	660	2899	41398	91,74	0,010	0,138	8
		283						1225	660	2894	41336	92,05		0,138	
			310					1338	660	2894	41302	92,45		0,137	
				322				1392	670	2889	41221	92,66		0,137	
					375			1614	670	2883	41124	93,32		0,136	
						441		1891	670	2878	41000	93,87		0,136	
	243							1047	590	2602	41222	91,46	0,011	0,171	8
		254						1098	590	2602	41215	91,74		0,171	
			279					1200	590	2602	41203	92,22		0,170	
				290				1249	590	2597	41125	92,46		0,170	
					338			1448	590	2592	40995	93,12		0,169	
						397		1697	600	2586	40877	93,74		0,168	
	220							940	580	2343	40720	91,22	0,013	0,209	8
		231						987	590	2343	40748	91,58		0,208	
			253					1078	600	2343	40718	92,04		0,207	
				264				1124	600	2343	40704	92,24		0,207	
					307			1307	600	2343	40694	92,99		0,205	
						361		1532	600	2337	40561	93,62		0,204	
	198							883	570	2226	42622	90,15	0,016	0,245	8
		208						926	580	2226	42610	90,48		0,244	
			227					1013	600	2226	42589	91,05		0,243	
				237				1057	610	2226	42579	91,30		0,242	
					277			1232	620	2226	42586	92,22		0,240	
						325		1446	630	2221	42455	93,01		0,238	
						350	1554	630	2221	42434	93,30	0,237			

* by field weakening at constant power

When required max speed at constant power by field weakening is higher than speed indicated in column "max. rpm", please contact SICMEMOTORI

Motor type NP800KM

IC06-17-37-86W

Main features

		NP800KM6	NP800KM8
Field power	W	8600	
Inertia	Kgm ²	810	820
Max mechanical speed	rpm	1150	
Weight IC06	kg		
Weight IC17-IC37	kg	13950	14300
Weight IC86W	kg	15250	15600
DE bearing	roller+ball	NU252-C3 + 6052-C3	
NDE bearing	roller	NU252-C3	

Blowers data (3x400 V – 50 Hz)

		IC06	IC17-37	IC86W
Blower ac motor	type	--	--	180M4A
Power	kW	--	--	18,5
Current	A	--	--	35
Poles	N°.	--	--	4
Dissipated losses	kW	--	--	160
Water flow rate	m ³ /h	--	--	35
Water flanges	DIN2566	--	--	DN65
Air flow rate	m ³ /sec	--	6	--
Static pressure	Pa	--	1200	--

Motor type NP800KML

IC06-17-37-86W

Wind. N°.	Base speed (rpm)							P (kW)	Max rpm*	I (A)	T (Nm)	η (%)	R _{arm} (Ohm)	L _{arm} (mH)	Select. code
	440	460	500	520	600	700	750								
	270							1333	610	3307	47233	91,64	0,009	0,121	8
		283						1394	610	3297	47074	91,92		0,121	
			310					1516	610	3281	46834	92,41		0,121	
				322				1575	610	3270	46680	92,63		0,121	
					375			1804	580	3222	45951	93,31		0,122	
	254							1261	610	3127	47381	91,68	0,009	0,136	8
		267						1323	610	3127	47386	91,97		0,136	
			291					1445	610	3127	47361	92,41		0,135	
				304				1506	610	3127	47367	92,63		0,134	
					353			1745	610	3116	47177	93,31		0,134	
					416		2042	610	3106	46974	93,91	0,133			
	240							1167	570	2899	46455	91,49	0,010	0,155	8
		251						1223	580	2899	46429	91,73		0,155	
			275					1337	590	2899	46419	92,21		0,154	
				286				1391	600	2894	46322	92,42		0,154	
					334			1614	620	2889	46226	93,15		0,153	
						392		1892	620	2883	46094	93,75		0,152	
						421	2029	620	2878	45991	94,00	0,152			
	216							1044	550	2602	46252	91,19	0,012	0,193	8
		226						1095	550	2602	46242	91,47		0,192	
			248					1197	550	2602	46226	91,98		0,191	
				258				1248	550	2602	46218	92,20		0,190	
					300			1448	550	2597	46088	92,93		0,189	
						353		1698	550	2592	45963	93,60		0,188	
						380	1824	540	2592	45942	93,85	0,187			
	196							937	520	2343	45683	90,91	0,014	0,235	8
		206						983	520	2343	45663	91,19		0,235	
			225					1075	530	2343	45675	91,76		0,233	
				235				1120	550	2343	45659	91,98		0,233	
					273			1304	560	2343	45642	92,76		0,231	
						321		1533	560	2343	45618	93,47		0,229	
						345	1643	560	2337	45487	93,73	0,228			
	176							879	490	2226	47785	89,72	0,017	0,276	8
		184						922	490	2226	47771	90,06		0,275	
			202					1010	500	2226	47796	90,76		0,273	
				211				1054	520	2226	47783	91,03		0,272	
					246			1227	560	2226	47740	91,90		0,270	
						289		1446	580	2226	47737	92,79		0,267	
						312	1554	580	2226	47703	93,08	0,266			

* by field weakening at constant power

When required max speed at constant power by field weakening is higher than speed indicated in column "max. rpm", please contact SICMEMOTORI

Motor type NP800KML

IC06-17-37-86W

Main features

		NP800KML6	NP800KML8
Field power	W	9500	
Inertia	Kgm ²	895	905
Max mechanical speed	rpm	1100	
Weight IC06	kg		
Weight IC17-IC37	kg	15000	15350
Weight IC86W	kg	16300	16650
DE bearing	roller+ball	NU256-C3 + 6056-C3	
NDE bearing	roller	NU256-C3	

Blowers data (3x400 V – 50 Hz)

		IC06	IC17-37	IC86W
Blower ac motor	type	--	--	180M4A
Power	kW	--	--	18,5
Current	A	--	--	35
Poles	N°.	--	--	4
Dissipated losses	kW	--	--	160
Water flow rate	m ³ /h	--	--	35
Water flanges	DIN2566	--	--	DN65
Air flow rate	m ³ /sec	--	6	--
Static pressure	Pa	--	1200	--

Motor type NP800KL

IC06-17-37-86W

Wind. N°.	Base speed (rpm)							P (kW)	Max rpm*	I (A)	T (Nm)	η (%)	R _{arm} (Ohm)	L _{arm} (mH)	Select. code
	440	460	500	520	600	700	750								
	239							1325	570	3297	52910	91,35	0,009	0,137	8
		251						1388	570	3291	52822	91,65		0,137	
			275					1509	570	3275	52554	92,17		0,137	
				286				1568	560	3265	52344	92,35		0,137	
					333			1803	510	3228	51722	93,10		0,137	
	225							1257	560	3127	53246	91,37	0,010	0,153	8
		237						1319	560	3127	53250	91,67		0,153	
			258					1441	560	3127	53218	92,14		0,152	
				270				1502	560	3127	53222	92,37		0,152	
					314			1744	560	3122	53103	93,10		0,151	
					369		2042	560	3111	52881	93,75	0,150			
	213							1163	520	2899	52204	91,16	0,011	0,175	8
		223						1219	530	2899	52173	91,41		0,175	
			244					1332	550	2899	52157	91,92		0,174	
				254				1390	570	2899	52172	92,18		0,173	
					296			1613	570	2894	52040	92,92		0,172	
						349		1892	570	2889	51899	93,58		0,171	
						375	2029	570	2883	51773	93,82	0,171			
	191						1039	480	2602	51913	90,72	0,013	0,217	8	
		201					1091	490	2602	51953	91,12		0,217		
			219				1193	500	2602	51931	91,65		0,215		
				229			1243	500	2602	51922	91,88		0,215		
					266		1447	500	2602	51890	92,67		0,213		
					314	1698	500	2597	51760	93,41	0,211				
						337	1824	500	2597	51725	93,66	0,211			
	174						933	460	2343	51316	90,50	0,015	0,266	8	
		183					978	470	2343	51293	90,79		0,265		
			199				1071	480	2343	51304	91,40		0,263		
				208			1116	500	2343	51284	91,63		0,262		
					242		1300	500	2343	51262	92,46		0,260		
						285	1529	500	2343	51233	93,21		0,258		
						307	1643	500	2343	51222	93,51	0,257			
	155						875	430	2226	53706	89,29	0,018	0,312	8	
		163					918	430	2226	53687	89,65		0,311		
			179				1005	440	2226	53655	90,29		0,308		
				186			1048	460	2226	53641	90,57		0,307		
					217		1223	500	2226	53640	91,59		0,304		
						257	1442	520	2226	53630	92,52		0,301		
						277	1550	530	2226	53590	92,83	0,300			

* by field weakening at constant power

When required max speed at constant power by field weakening is higher than speed indicated in column "max. rpm", please contact SICMEMOTORI

Motor type NP800KL

IC06-17-37-86W

Main features

		NP800KL6	NP800KL8
Field power	W	10600	
Inertia	Kgm ²	990	1000
Max mechanical speed	rpm	1100	
Weight IC06	kg		
Weight IC17-IC37	kg	16200	16550
Weight IC86W	kg	17500	17850
DE bearing	roller+ball	NU256-C3 + 6056-C3	
NDE bearing	roller	NU256-C3	

Blowers data (3x400 V – 50 Hz)

		IC06	IC17-37	IC86W
Blower ac motor	type	--	--	180M4A
Power	kW	--	--	18,5
Current	A	--	--	35
Poles	N°.	--	--	4
Dissipated losses	kW	--	--	160
Water flow rate	m ³ /h	--	--	35
Water flanges	DIN2566	--	--	DN65
Air flow rate	m ³ /sec	--	6	--
Static pressure	Pa	--	1200	--

Motor type NP800KX

IC06-17-37-86W

Wind. N°.	Base speed (rpm)							P (kW)	Max rpm*	I (A)	T (Nm)	η (%)	R _{arm} (Ohm)	L _{arm} (mH)	Select. code
	440	460	500	520	600	700	750								
213								1318	520	3291	59339	90,98	0,010	0,155	8
		222						1378	520	3281	59145	91,31		0,155	
			244					1502	510	3270	58943	91,86		0,154	
				254				1560	500	3260	58709	92,06		0,154	
					296			1799	460	3228	58120	92,88		0,154	
200								1252	510	3127	59807	90,99	0,010	0,173	8
		210						1313	510	3127	59809	91,30		0,172	
			229					1435	510	3127	59769	91,80		0,171	
				239				1497	510	3127	59774	92,05		0,171	
					279			1742	510	3127	59750	92,82		0,169	
					327		2041	510	3116	59510	93,54	0,168			
188								1158	490	2899	58634	90,74	0,012	0,198	8
		198						1214	500	2899	58596	91,01		0,197	
			217					1327	510	2899	58576	91,55		0,196	
				226				1384	520	2899	58590	91,83		0,195	
					263			1611	520	2899	58560	92,63		0,193	
						310		1891	520	2894	58411	93,35		0,192	
						333	2029	530	2889	58290	93,65	0,192			
169								1035	450	2602	58349	90,35	0,014	0,245	8
		178						1085	450	2602	58334	90,68		0,244	
			194					1187	450	2602	58308	91,24		0,243	
				203				1238	450	2602	58297	91,49		0,242	
					237			1443	460	2602	58302	92,40		0,240	
						279		1697	460	2602	58262	93,16		0,237	
						299	1820	460	2597	58105	93,44	0,237			
153								929	410	2343	57667	90,09	0,016	0,300	8
		161						974	430	2343	57637	90,40		0,299	
			177					1066	450	2343	57645	91,04		0,297	
				184				1112	470	2343	57621	91,28		0,296	
					215			1295	470	2343	57588	92,16		0,293	
						253		1524	470	2343	57549	92,95		0,290	
						272	1640	470	2343	57571	93,33	0,289			
138								868	400	2226	60248	88,64	0,020	0,353	8
		145						913	410	2226	60298	89,13		0,351	
			158					1000	430	2226	60259	89,81		0,348	
				165				1043	450	2226	60241	90,11		0,347	
					193			1218	480	2226	60237	91,19		0,343	
						228		1436	480	2226	60222	92,18		0,339	
							246	1545	480	2226	60216	92,57		0,338	

* by field weakening at constant power

When required max speed at constant power by field weakening is higher than speed indicated in column "max. rpm", please contact SICMEMOTORI

Motor type NP800KX

IC06-17-37-86W

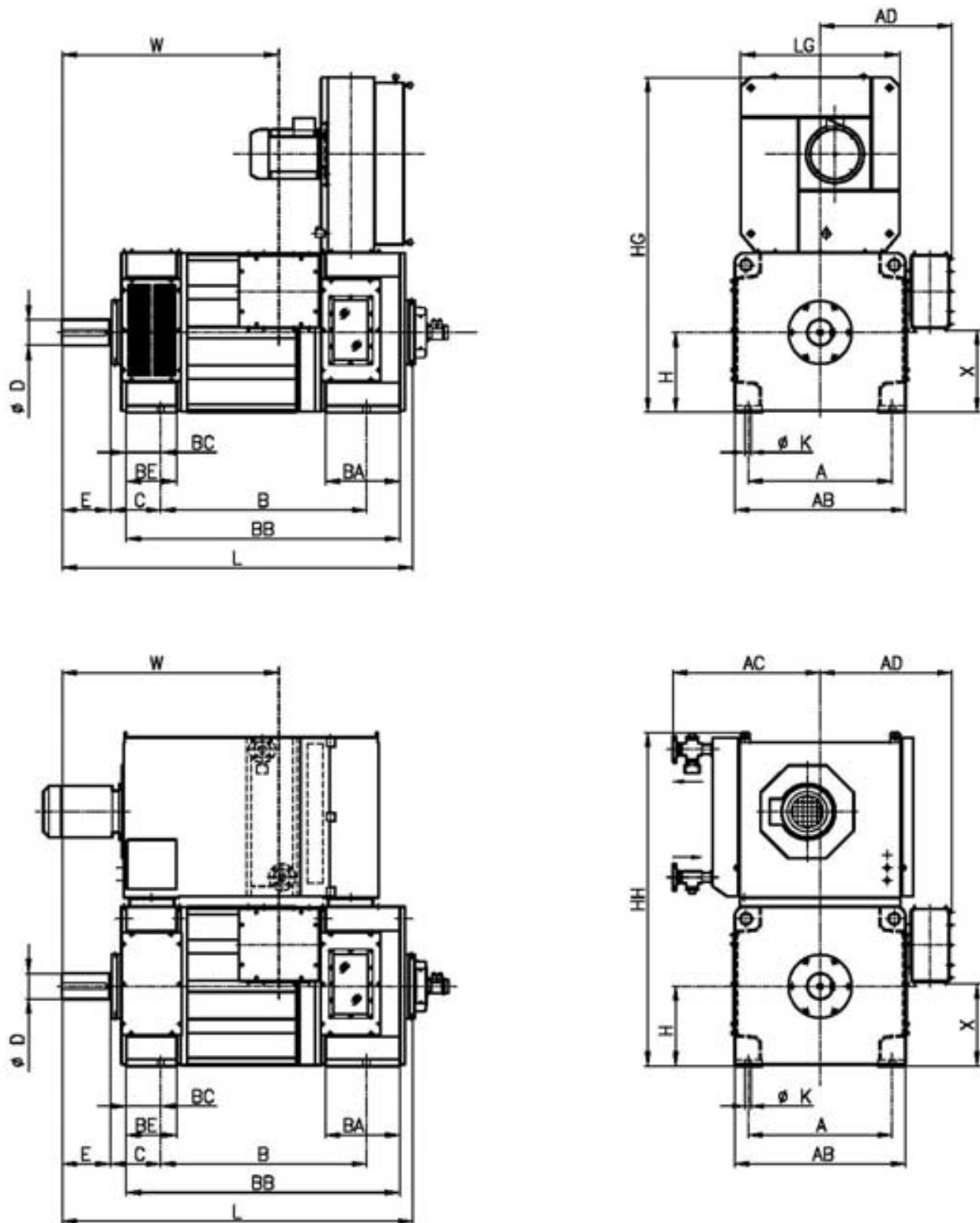
Main features

		NP800KX6	NP800KX8
Field power	W	11500	
Inertia	Kgm ²	1095	1105
Max mechanical speed	rpm	1100	
Weight IC06	kg		
Weight IC17-IC37	kg	17450	17800
Weight IC86W	kg	18750	19100
DE bearing	roller+ball	NU256-C3 + 6056-C3	
NDE bearing	roller	NU256-C3	

Blowers data (3x400 V – 50 Hz)

		IC06	IC17-37	IC86W
Blower ac motor	type	--	--	180M4A
Power	kW	--	--	18,5
Current	A	--	--	35
Poles	N°.	--	--	4
Dissipated losses	kW	--	--	160
Water flow rate	m ³ /h	--	--	35
Water flanges	DIN2566	--	--	DN65
Air flow rate	m ³ /sec	--	6	--
Static pressure	Pa	--	1200	--





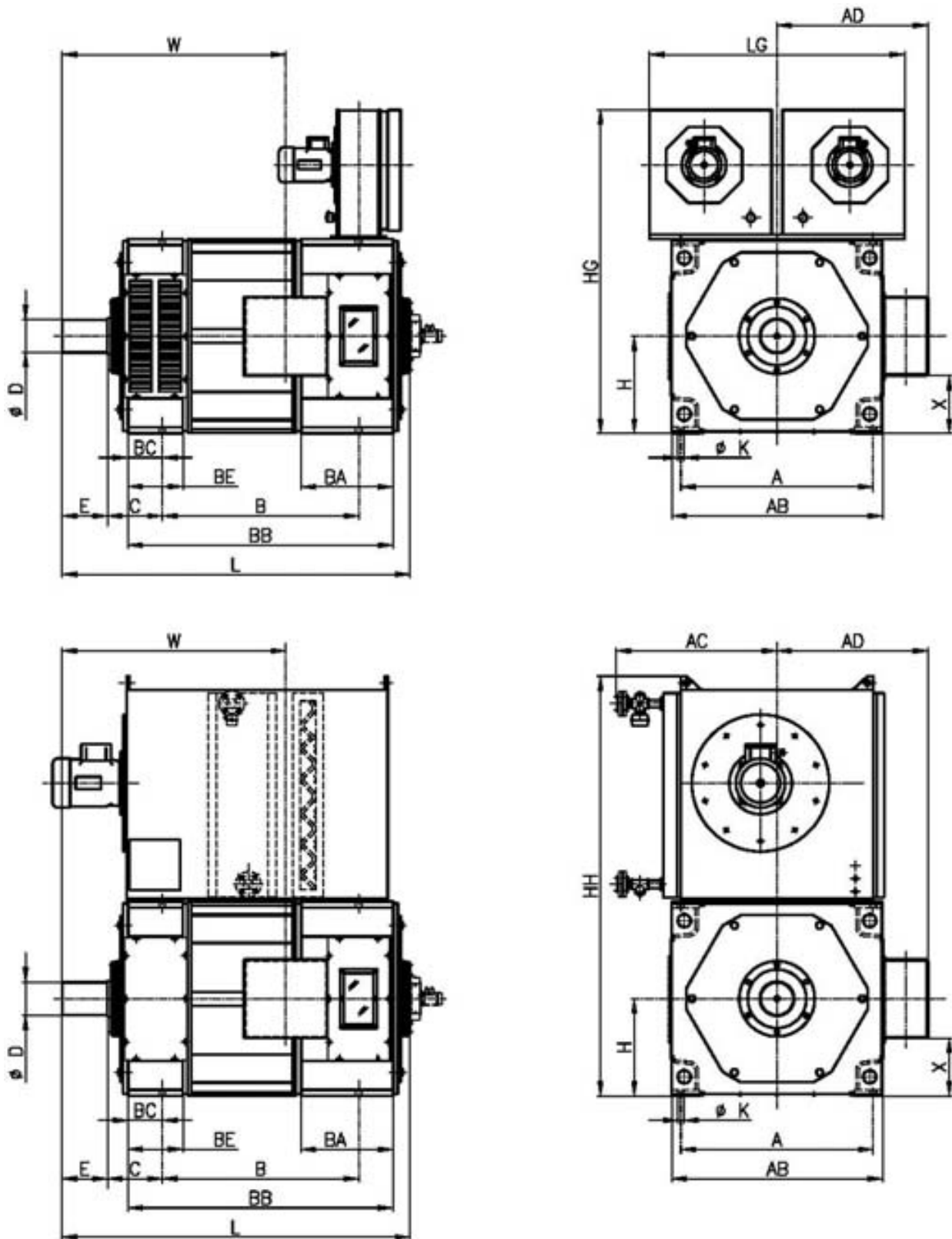
Note : detailed drawings are available on SICMEMOTORI web site www.sicmemotori.com

Dimensions NP500-630

IC06-86W

FRAME	D	E	C	B	BA	BB	BC	BE	L	W	AD	H	HG	HH	K	A	AB	X	LG	AC
NP 500 KRS6	160 m6 with key	300	315	970	465	1394	215	315	1875	1038	825	500 0 -1	2110	2084	42	900	1065	524	995	1020
NP 500 KRM6				1010		1434			1915	1078										
NP 500 KR6				1055		1479			1960	1123										
NP 500 KS6				1105		1529			2010	1173										
NP 500 KSM6	170 m6 with key	300	315	1155	465	1579	215	315	2060	1223	825	500 0 -1	2110	2084	42	900	1065	524	995	1020
NP 500 KM6				1215		1639			2120	1283										
NP 500 KML6				1285		1709			2190	1353										
NP 500 KL6				1365		1789			2270	1433										
NP 500 KX6				1455		1879			2360	1523										
NP 500 KRS7	160 m6 with key	300	315	970	510	1439	215	315	1920	1038	825	500 0 -1	2131	2084	42	900	1065	524	995	1020
NP 500 KRM7				1010		1479			1960	1078										
NP 500 KR7				1055		1524			2005	1123										
NP 500 KS7				1105		1574			2055	1173										
NP 500 KSM7	170 m6 with key	300	315	1155	510	1624	215	315	2105	1223	825	500 0 -1	2131	2084	42	900	1065	524	995	1020
NP 500 KM7				1215		1684			2165	1283										
NP 500 KML7				1285		1754			2235	1353										
NP 500 KL7				1365		1834			2315	1433										
NP 500 KX7				1455		1924			2405	1523										
NP 560 KRS6	170 m6 with key	300	315	1020	495	1444	210	315	1935	1063	875	560 0 -1	2350	2433	42	1000	1185	616	1100	1170
NP 560 KRM6				1060		1484			1975	1103										
NP 560 KR6				1105		1529			2020	1148										
NP 560 KS6				1155		1579			2070	1198										
NP 560 KSM6	180 m6 with key	300	315	1205	495	1629	210	315	2120	1248	875	560 0 -1	2350	2433	42	1000	1185	616	1100	1170
NP 560 KM6				1265		1689			2180	1308										
NP 560 KML6				1335		1759			2250	1378										
NP 560 KL6				1415		1839			2330	1458										
NP 560 K6				1505		1929			2420	1548										
NP 560 KRS8	170 m6 with key	300	315	1020	625	1574	210	315	2065	1063	875	560 0 -1	2371	2433	42	1000	1185	616	1100	1170
NP 560 KRM8				1060		1614			2105	1103										
NP 560 KR8				1105		1659			2150	1148										
NP 560 KS8				1155		1709			2200	1198										
NP 560 KSM8	180 m6 with key	300	315	1205	625	1759	210	315	2250	1248	875	560 0 -1	2371	2433	42	1000	1185	616	1100	1170
NP 560 KM8				1265		1819			2310	1308										
NP 560 KML8				1335		1889			2380	1378										
NP 560 KL8				1415		1969			2460	1458										
NP 560 KX8				1505		2059			2550	1548										
NP 630 KRS6	180	240	315	1070	505	1461	194	320	1915	1015	945	630 0 -1	2655	2571	42	1180	1340	720	1260	1170
NP 630 KRM6	+0.250			1110		1501			1955	1055										
NP 630 KR6	+0.225			1155		1546			2000	1100										
NP 630 KS6	keyless			1205		1596			2050	1150										
NP 630 KSM6	200	280	315	1255	505	1646	194	320	2140	1240	945	630 0 -1	2655	2571	42	1180	1340	720	1260	1170
NP 630 KM6	+0.305			1315		1706			2200	1300										
NP 630 KML6	+0.275			1385		1776			2270	1370										
NP 630 KL6	keyless			1465		1856			2350	1450										
NP 630 KX6				1555		1946			2440	1540										
NP 630 KRS8	180	240	215	1070	630	1586	194	320	2040	1015	945	630 0 -1	2655	2571	42	1180	1340	720	1260	1170
NP 630 KRM8	+0.250			1110		1626			2080	1055										
NP 630 KR8	+0.225			1155		1671			2125	1100										
NP 630 KS8	keyless			1205		1721			2175	1150										
NP 630 KSM8	200	280	315	1255	630	1771	194	320	2265	1240	945	630 0 -1	2655	2571	42	1180	1340	720	1260	1170
NP 630 KM8	0.305			1315		1831			2325	1300										
NP 630 KML8	0.275			1385		1901			2395	1370										
NP 630 KL8	keyless			1465		1981			2475	1450										
NP 630 KX8				1555		2071			2565	1540										

Note : detailed drawings are available on SICMEMOTORI web site www.sicmemotori.com



Note : detailed drawings are available on SICMEMOTORI web site www.sicmemotori.com

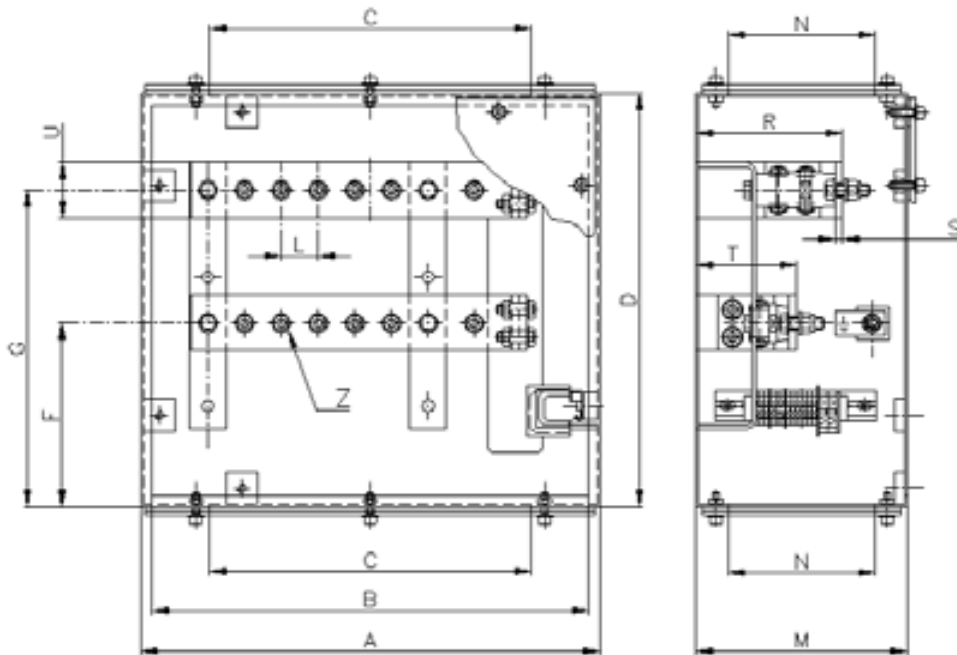
Dimensions NP710-800

IC06-86W

FRAME	D	E	C	B	BA	BB	BC	BE	L	W	AD	H	HG	HH	K	A	AB	X	LG	AC
NP 710 KRS6	200			1035		1535			2087	1183										
NP 710 KRM6	+0.305 +0.275	280	400	1075		1575			2127	1223										
NP 710 KR6	keyless			1120		1620			2172	1268										
NP 710 KS6	220			1170	670	1670	250	400	2222	1318	1100	710	2360	3065	42	1400	1530	422	1860	1125
NP 710 KSM6	+0.305 +0.275	280	400	1220		1720			2272	1368		0								
NP 710 KM6	keyless			1280		1780			2332	1428		-1.5								
NP 710 KML6	240			1350		1850			2452	1548										
NP 710 KL6	+0.305 +0.275	330	400	1430		1930			2532	1628										
NP 710 KX6	keyless			1520		2020			2622	1718										
NP 710 KRS8	200			1155		1655			2207	1183										
NP 710 RM8	+0.305 +0.275	280	400	1195		1695			2247	1223										
NP 710 KR8	keyless			1240		1740			2292	1268										
NP 710 KS8	220			1290	790	1790	250	400	2342	1318	1100	710	2360	3065	42	1400	1530	422	1860	1125
NP 710 KSM8	+0.305 +0.275	280	400	1340		1840			2392	1368		0								
NP 710 KM8	keyless			1400		1900			2452	1428		-1.5								
NP 710 KML8	240			1470		1970			2572	1548										
NP 710 KL8	+0.305 +0.275	330	400	1550		2050			2652	1628										
NP 710 KX8	keyless			1640		2140			2742	1718										
NP 800 KRS6	220			1035		1535			2087	1183										
NP 800 KRM6	+0.305 +0.275	280	400	1075		1575			2127	1223										
NP 800 KR6	keyless			1120		1620			2172	1268										
NP 800 KS6	240			1170	670	1670	250	400	2308	1393	1130	800	2900	3300	42	1400	1590	510	2250	1125
NP 800 KSM6	+0.305 +0.275	330	425	1220		1720			2358	1443		0								
NP 800 KM6	keyless			1280		1780			2418	1503		-1.5								
NP 800 KML6	260			1350		1850			2503	1573										
NP 800 KL6	+0.347 +0.315	330	425	1430		1930			2583	1653										
NP 800 KX6	keyless			1520		2020			2673	1743										
NP 800 KRS8	220			1155		1655			2207	1183										
NP 800 KRM8	+0.305 +0.275	280	400	1195		1695			2247	1223										
NP 800 KR8	keyless			1240		1740			2292	1268										
NP 800 KS8	240			1290	790	1790	250	400	2428	1393	1130	800	2900	3300	42	1400	1590	510	2250	1125
NP 800 KSM8	+0.305 +0.275	330	425	1340		1840			2478	1443		0								
NP 800 KM8	keyless			1400		1900			2538	1503		-1.5								
NP 800 KML8	260			1470		1970			2623	1573										
NP 800 KL8	+0.347 +0.315	330	425	1550		2050			2703	1653										
NP 800 KX8	keyless			1640		2140			2793	1743										

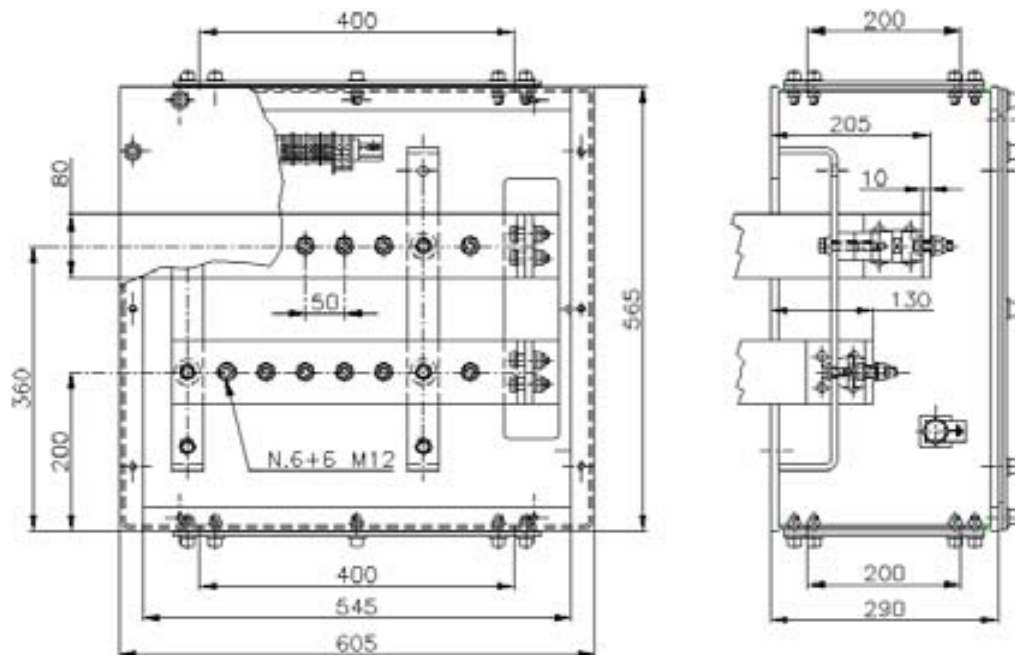
Note : detailed drawings are available on SICMEMOTORI web site www.sicmemotori.com

Main terminal box dimensions – Frames 500-560-630

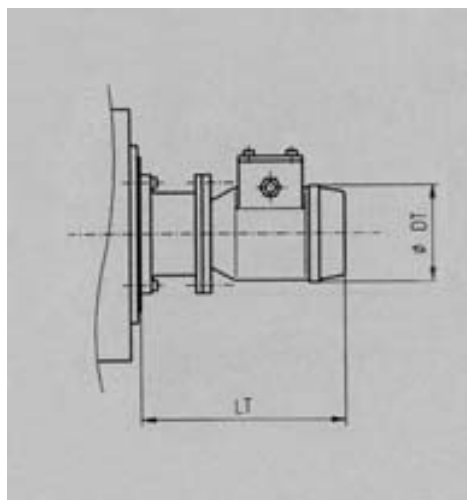


	A	B	C	D	F	G	L	M	N	R	S	T	U	Z
NP500-630	500	475	350	450	200	345	40	230	160	160	8	110	50	N.6+6 M12

Main terminal box dimensions – Frames 710-800



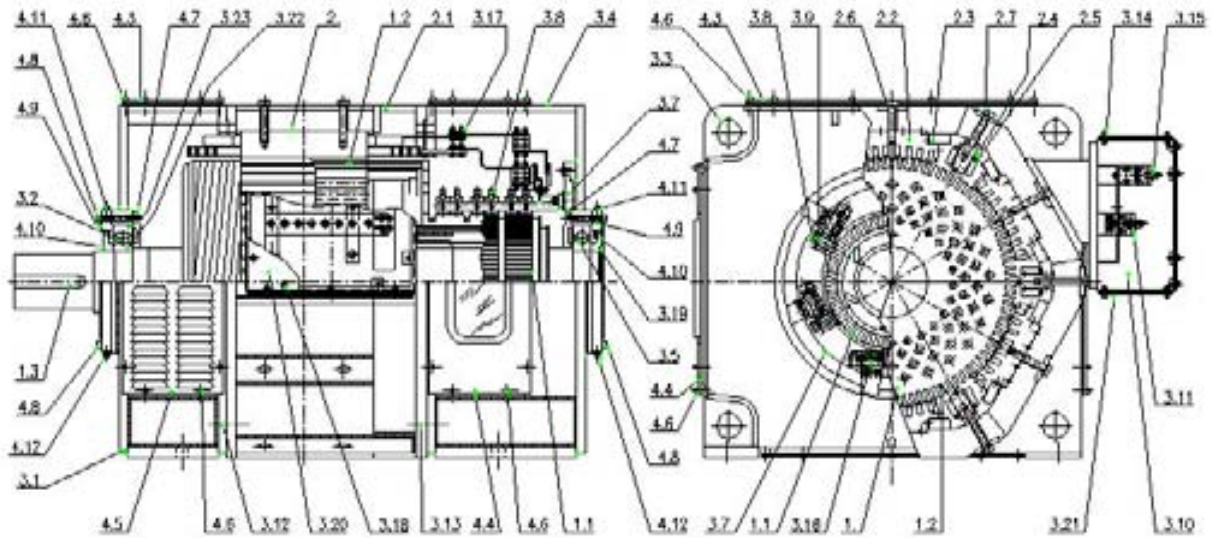
Main dimensions of tachogenerators, pulse generators and integrated units for speed control



To obtain the total motor length, including the unit for speed control, please add the dimension L in the drawing to the dimension LT shown in the following table.

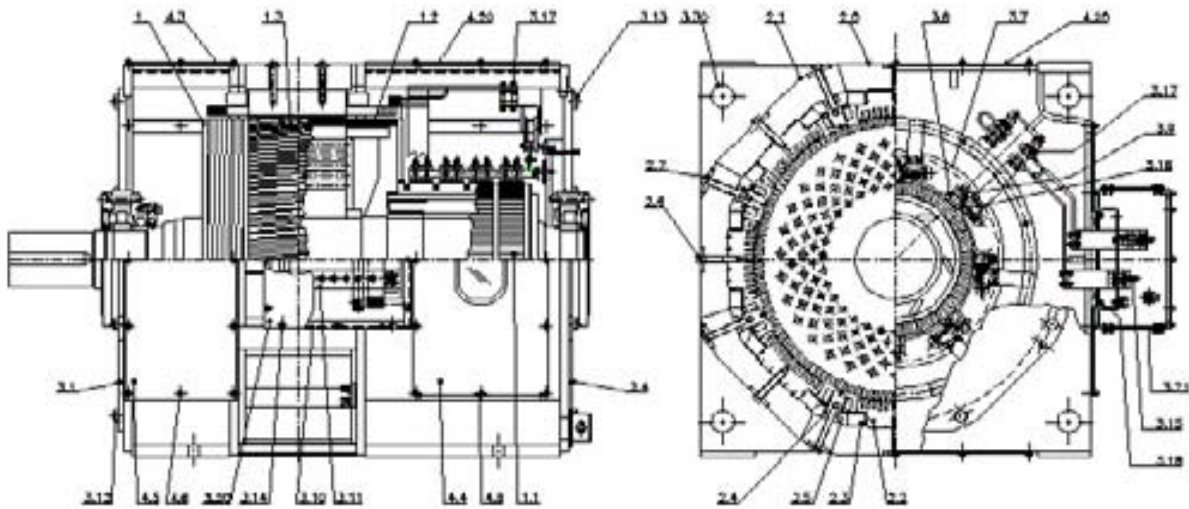
Type	LT (mm)			Ø DT (mm)	Weight (kg)
	Frames 500-560	Frames 630	Frame 710-800		
REO444L1	170	170	170	69	1
REO444NV1	220	220	220	95	1,8
REO444R1	215	215	215	95	2,8
REO444R2	235	235	235	95	3,2
TDP0,2LT4	225	225	225	105	2,5
RCOE01	200	200	200	90	1
RC2	70	70	70	96	0,5
FSL	110	110	110	87	2,5
RDC215	100	100	100	98	1,8
RCO058	200	200	200	90	1
POG9	200	200	200	105	1
REO444R1 + RCOE01R	300	300	300	100	4
REO444R1 + RC2	285	285	285	96	3,3
TDP0,2LT + FSL	270	270	270	115	3,5
REO444R1 + RCO058R	300	300	300	100	4
REO444R1 + 115T	300	300	300	100	4
TDP0,2T + POG9	275	275	275	87	3,3
REO444R1 + RCO058R + RCOE01R	350	350	350	100	5
REO444R1 + RC2 + 115T	370	370	370	96	5,2
TDP0,2T + POG9 + FSL	370	370	370	87	4,3
RCO058R + RCOE01R	225	225	225	90	2
POG9 + FSL	255	255	255	87	3,5

Section drawing of motors frames NP500-630



- | | | | |
|------|------------------------------|------|--------------------------------------|
| 1. | <u>Rotor</u> | 4.1 | Electric fan |
| 1.1 | Commutator | 4.2 | Shaft end protection |
| 1.2 | Rotor coil | 4.3 | DE top access cover |
| 1.3 | Shaft key | 4.4 | NDE door with inspection window |
| 2. | <u>Stator with poles</u> | 4.5 | DE outlet cover |
| 2.1 | Stator core | 4.7 | Internal grease seal |
| 2.2 | Main pole with coil | 4.9 | Outside grease seal |
| 2.3 | Main pole coil | 4.10 | Grease valve ring |
| 2.4 | Auxiliary pole with coil | 4.11 | Grease nipple |
| 2.5 | Auxiliary pole coil | 4.12 | Grease discharge plug |
| 3.1 | DE shield | 4.13 | Cooling system |
| 3.2 | DE bearing | 5. | <u>Accessories (only on request)</u> |
| 3.3 | Lifting bolts | 5.1 | Tacho-adaptor |
| 3.4 | NDE shield | 5.2 | Tachocoupling |
| 3.5 | NDE ball bearing | 5.3 | Tachogenerator |
| 3.7 | Brush-rocker | 5.4 | Air flow switch |
| 3.8 | Brush-holder | | |
| 3.9 | Brush | | |
| 3.10 | Terminal box | | |
| 3.11 | Terminal board | | |
| 3.19 | Seeger ring | | |
| 3.20 | Terminal box cover | | |
| 3.21 | Cover for cable leads outlet | | |
| 3.22 | Roller bearing inner race | | |
| 3.23 | Roller bearing outer race | | |

Section drawing of motors frames NP710-800



- | | | | |
|----------|---|----------|--------------------------------------|
| <u>1</u> | <u>Rotor</u> | | |
| 1.1 | Commutator | 4.2 | Shaft end protection |
| 1.2 | Rotor coil | 4.3 | NDE top cover |
| 1.3 | Rotor pack | 4.3.1 | DE and NDE top cover |
| 1.4 | Shaft key (where applicable) | 4.4 | NDE door with inspection window |
| | | 4.5 | DE door |
| <u>2</u> | <u>Stator with poles</u> | 4.7 | NDE inner grease seal |
| 2.1 | Frame | 4.9 | NDE outer grease seal |
| 2.2 | Main pole with coil | 4.10 | NDE grease valve ring |
| 2.3 | Main pole coil | 4.11 | Grease nipple |
| 2.4 | Auxiliary pole with coil | 4.12 | Grease discharge plug |
| 2.5 | Auxiliary pole coil | 4.13 | Cooling system |
| | | 4.14 | DE grease valve ring |
| 3.1 | DE shield | 4.15 | DE ball bearing holder bush |
| 3.2 | DE roller bearing | 4.16 | DE bearing spacer |
| 3.3 | DE ball bearing | 4.17 | DE inner grease seal |
| 3.4 | NDE insulated shield | 4.20 | NDE top cover |
| 3.5 | NDE roller bearing | | |
| 3.7 | Brush rocker with brush holder supports | <u>5</u> | <u>Accessories (only on request)</u> |
| 3.8 | Brush holder | 5.1 | Tacho-adaptor |
| 3.9 | Brush | 5.2 | Tachocoupling |
| 3.10 | Terminal box | 5.3 | Tachogenerator |
| 3.11 | Terminal bars | | |
| 3.19 | DE and NDE Seeger rings | | |
| 3.20 | Terminal box cover | | |
| 3.21 | Cover for cable leads outlet | | |
| 3.22 | Roller bearing inner ring | | |
| 3.23 | Roller bearing outer ring | | |
| 3.24 | Brush rocker locking plate | | |
| 3.26 | DE seal ring | | |
| 3.29 | Brush rocker locking plate | | |
| 3.30 | Lifting eyebolts | | |

Notes:

The present technical catalogue is completed by the General Description for d.c. motors code:

C-GENDC-E-1000-04

It is necessary to consult both sections in order to obtain complete and correct information. Please ask a hard copy to SICMEMOTORI or download it from SICMEMOTORI web site www.sicmemotori.com.

Customers can determine whether a specific product is suitable for their needs and are thus responsible for the selection, use and results obtained by any product showed in this catalogue. The information contained in the present catalogue does not guarantee the characteristics for the use.

The products listed in this catalogue are exclusively designed and manufactured for industrial purposes.

For particular cases in NON-industrial environments, or where other types of protection must be provided (for example against contact with childrens fingers, etc.), these guards or additional protections must be realized by the Customer.

Any non-observance of the rules for installation, use and maintenance or any modification/tampering with the motor makes the guarantee rights invalid and exempts SICMEMOTORI from any responsibility.

All data and indications shown in this catalogue have to be considered only as a guideline.

Any use of the motor differently from the specifications indicated in this catalogue does not involve any liability for SICMEMOTORI as manufacturer.

SICMEMOTORI reserves the right to modify at any time and without notice the data, the technical characteristics, the dimensions, the weights and the illustrations.

SICMEMOTORI refuses all responsibility for direct or indirect damages caused by possible errors and/or omissions in the present catalogue.

The reproduction, even in part, of the present catalogue must be authorized in writing by SICMEMOTORI.

**WARNING**

The motors and the electrical devices feeding them are electrical components installed on machines and industrial systems subject to high voltage. During operation, these components can be dangerous since they are live and have non-insulated and rotating parts. Therefore, they can be extremely harmful to personnel and objects if the instructions for the installation, the use and the maintenance are not respected.

The motors are always supplied complete with the installation, use and maintenance instruction manual. It is necessary to read and understand all the information contained before proceeding to connect and to start up the installation.

If the above mentioned documentation is lacking, please request a copy from SICMEMOTORI.

CAUTION

All information, data, drawings given in this catalogue are of a purely indicative nature and may be changed without prior notice. SICMEMOTORI shall not be held responsible if the products illustrated herein are used outside their limits of the specifications given.

• SICMELIFT • SICMEWIND • SICMEELASTIC&RUBBER • SICMEPAPER&PRINT • SICMESHOW • SICMESERVICE • SICMETAL • SICMECRANE • SICMESPAVES • SICMEHANG • SICMEPRODUCT • SICMEENERGY

SICMEMOTORI
WIND OF INNOVATION

SICME MOTORI S.r.l.
Str. Del Francese, 130 - 10156 Torino - Italia
Tel. +39 011 4076311 Fax +39 011 4500047 / 4500367
www.sicmemotori.com - sicmemotori@sicmemotori.com

