

※ **The PKm 60® a cornerstone since 1974, an integral part of our future.**



- ※ **50 years of success since 1974**
- ※ **Produced over 23 million units**
- ※ **Made from premium materials and components**
- ※ **Our most economical and versatile product**
- ※ **Noise level reduced by 20 %**
- ※ **Exclusively produced with renewable energy sources**

#### **PERFORMANCE RANGE**

- Flow rate up to **40 l/min** (2.4 m<sup>3</sup>/h)
- Head up to **40 m**

#### **INSTALLATION AND USE**

Designed to transfer clean water free from abrasive particles and liquids that will not damage the pump's components.

Reliable, easy to operate, and cost-effective. It is ideal for domestic applications, specifically for gardens and orchards, in combination with small autoclave tanks.

#### **ELECTRIC MOTOR**

Three-phase pumps feature **IE3**-class electric motors, while single-phase models use **IE2** motors. All are designed with class F insulation and IPX4 protection.

#### **APPLICATION LIMITS**

- Manometric suction head up to **8 m**
- Liquid temperature between **-10 °C** and **+60 °C**
- Ambient temperature up to **+50 °C**
- Maximum working pressure **6 bar**

#### **PATENTS - TRADE MARKS - MODELS**

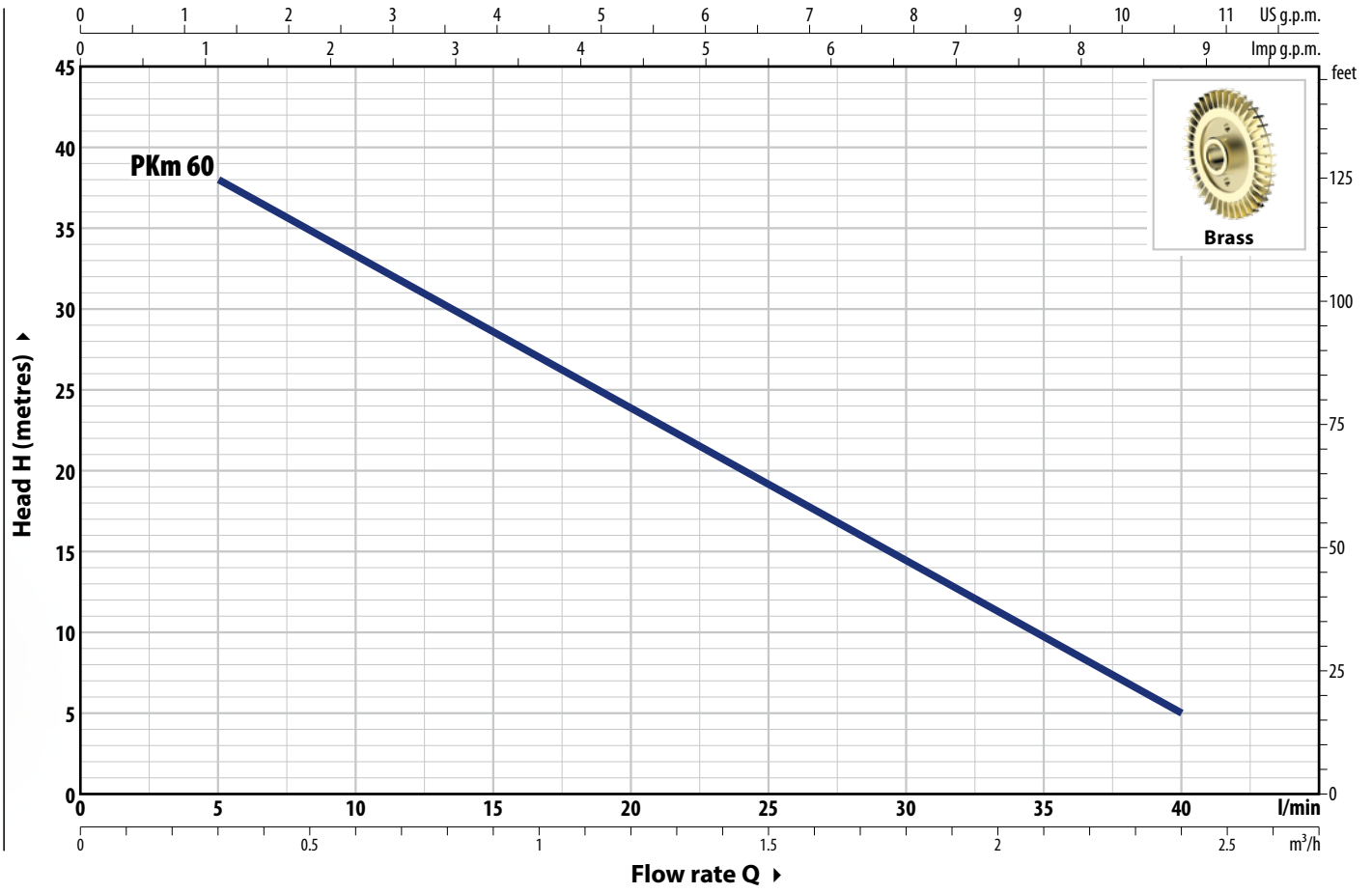
- Motor bracket: Patent No. IT1243605
- Pump body: Patent No. 0000275946
- Registered community model No. 018625876
- International registered model No. DM/220613
- PKm 60® Registered Trade mark No. 009875394

#### **AVAILABLE UPON REQUEST**

- ※ Different voltage requirements 60 Hz frequency

**CURVES AND PERFORMANCE DATA – HS=0 m**

**50 Hz**



| TYPE       |           | POWER (P <sub>2</sub> ) |      | Q   | Flow rate |          |                   |    |      |     |     |      |     |     |     |     |  |  |
|------------|-----------|-------------------------|------|-----|-----------|----------|-------------------|----|------|-----|-----|------|-----|-----|-----|-----|--|--|
| Single-ph. | Three-ph. | kW                      | HP   |     | 1~        | 3~       | m <sup>3</sup> /h | 0  | 0.3  | 0.6 | 0.9 | 1.2  | 1.5 | 1.8 | 2.1 | 2.4 |  |  |
| PKm 60     | PK 60     | 0.30                    | 0.40 | IE2 | IE3       | H metres | 0                 | 5  | 10   | 15  | 20  | 25   | 30  | 35  | 40  |     |  |  |
|            |           |                         |      |     |           |          | 40                | 38 | 33.5 | 29  | 24  | 19.5 | 15  | 10  | 5   |     |  |  |

Q = Flow rate H = Total manometric head HS = Suction height

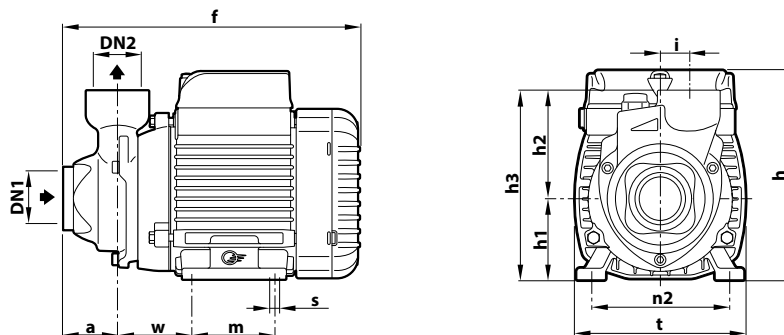
Performance curves comply with EN ISO 9906 Grade 3B tolerance limits.

**ABSORPTION**

| TYPE         | VOLTAGE |
|--------------|---------|
| Single-phase | 230 V   |
| PKm 60°      | 2.3 A   |

| TYPE        | VOLTAGE   |           |
|-------------|-----------|-----------|
| Three-phase | 230 V - Δ | 400 V - 人 |
| PK 60°      | 2.0 A     | 1.15 A    |

**DIMENSIONS AND WEIGHT**



| TYPE       |           | PORTS |     | DIMENSIONS mm |     |     |    |    |     |    |    |     |        |    | kg |     |     |
|------------|-----------|-------|-----|---------------|-----|-----|----|----|-----|----|----|-----|--------|----|----|-----|-----|
| Single-ph. | Three-ph. | DN1   | DN2 | a             | f   | h   | h1 | h2 | h3  | i  | m  | t   | n2     | w  | s  | 1~  | 3~  |
| PKm 60°    | PK 60°    | 1"    | 1"  | 38            | 208 | 145 | 56 | 75 | 131 | 20 | 55 | 118 | 94-100 | 53 | 7  | 5.0 | 5.0 |

**PALLET CAPACITY**

240